

# KEPLER

*Arihiro Miyake*

Pendant lamp available in two sizes Kepler or Kepler Minor. The structure is a painted aluminum extrusion, whose continuous line is made through a three-dimensional machining process engineered by Nemo and designed on the basis of the geometric principle of the Moebius strip. Available in the uplight or downlight version, in matt white, black or gold painted finishes.



# DOWNLIGHT

## LAMPING

Source	LINEAR LED
Total power	86W
Emission	DIRECT
Switching	dimmable, 1-10V
Tension	120V
Color temperature	2700K
Luminous flux	4500lm (luminous output)
Typ CRI	85
Energy class	A+
IP class	20
Dimensions	Ø 43.3" x 15.7" H
Materials	aluminum + pc
Notes	cable length 8.2'
Net lamp weight	19,8 lbs

## Codes

KEP LNN 54  
KEPLWW54  
KEP LOW 54

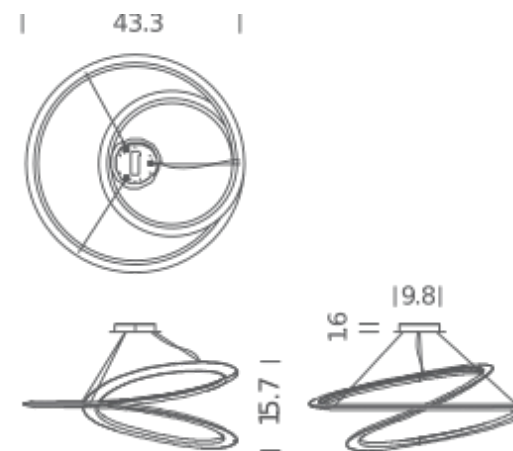
## Structure/Diffuser

black/white  
white/white  
gold painted/white

## PACKAGE

Package 01  
Dimension: 47.6" x 47.6" x 20.5" inches / Gross weight:  
41,9 lbs

## Certificazioni



# DOWNLIGHT

## LAMPING

Source	LINEAR LED
Total power	86W
Emission	DIRECT
Switching	dimmable, 1-10V
Tension	120V
Color temperature	3000K
Luminous flux	4500lm (luminous output)
Typ CRI	85
Energy class	A+
IP class	20
Dimensions	Ø 43.3" x 15.7" H
Materials	aluminum + pc
Notes	cable length 8.2'
Net lamp weight	19,8 lbs

## Codes

KEP LNN 52  
KEPLWW52  
KEP LOW 52

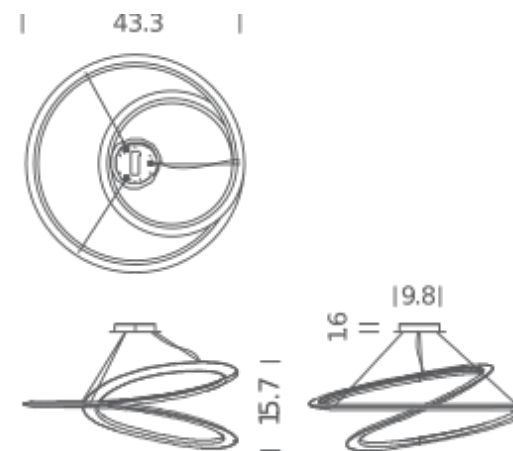
## Structure/Diffuser

black/white  
white/white  
gold painted/white

## PACKAGE

Package 01  
Dimension: 47.6" x 47.6" x 20.5" inches / Gross weight:  
41,9 lbs

## Certificazioni



# UPLIGHT

## LAMPING

Source	LINEAR LED
Total power	86W
Emission	INDIRECT
Switching	dimmable, 1-10V
Tension	120V
Color temperature	2700K
Luminous flux	4500lm (luminous output)
Typ CRI	85
Energy class	A+
IP class	20
Dimensions	Ø 43.3" x 15.7" H
Materials	aluminum + pc
Notes	cable length 8.2'
Net lamp weight	19,8 lbs

## Codes

KEP LNN 53  
KEPLWW53  
KEP LOW 53

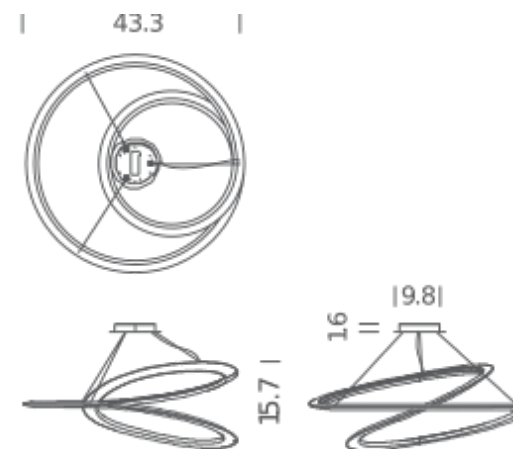
## Structure/Diffuser

black/white  
white/white  
gold painted/white

## PACKAGE

Package 01  
Dimension: 47.6" x 47.6" x 20.5" inches / Gross weight:  
41,9 lbs

## Certificazioni



# UPLIGHT

## LAMPING

Source	LINEAR LED
Total power	86W
Emission	INDIRECT
Switching	dimmable, 1-10V
Tension	120V
Color temperature	3000K
Luminous flux	4500lm (luminous output)
Typ CRI	85
Energy class	A+
IP class	20
Dimensions	Ø 43.3" x 15.7" H
Materials	aluminum + pc
Notes	cable length 8.2'
Net lamp weight	19,8 lbs

## Codes

KEP LNN 51  
KEPLWW51  
KEP LOW 51

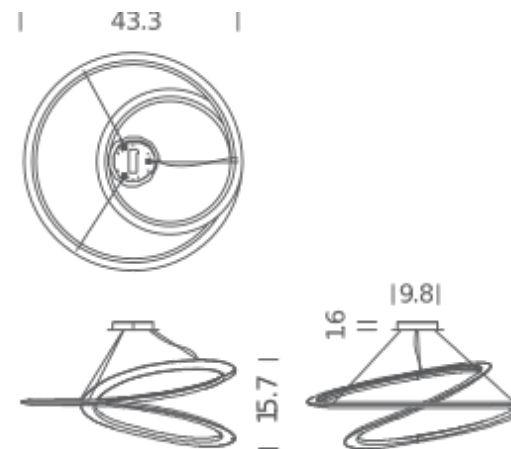
## Structure/Diffuser

black/white  
white/white  
gold painted/white

## PACKAGE

Package 01  
Dimension: 47.6" x 47.6" x 20.5" inches / Gross weight:  
41,9 lbs

## Certificazioni



# DOWNLIGHT

## LAMPING

Source	LINEAR LED
Total power	77W
Emission	DIRECT
Switching	dimmable, 1-10V
Tension	120V
Color temperature	2700K
Luminous flux	4000lm (luminous output)
Typ CRI	85
Energy class	A+
IP class	20
Materials	aluminum + pc
Notes	cabl length 8.2'
Net lamp weight	19,8 lbs

## Codes

KEM LNN 54  
KEM LWW54  
KEM LOW 54

## Structure/Diffuser

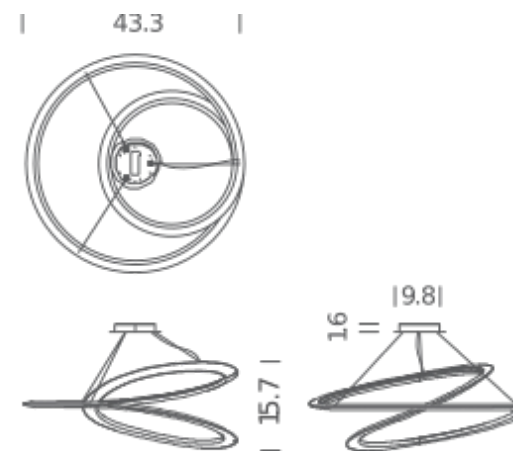
black/white  
white/white  
gold painted/white

## PACKAGE

Package 01

Dimension: 47.6" x 47.6" x 20.5" inches / Gross weight:  
41,9 lbs

## Certificazioni



# DOWNLIGHT

## LAMPING

Source	LINEAR LED
Total power	77W
Emission	DIRECT
Switching	dimmable, 1-10V
Tension	120V
Color temperature	3000K
Luminous flux	4000lm (luminous output)
Typ CRI	85
Energy class	A+
IP class	20
Materials	aluminum + pc
Notes	cabl length 8.2'
Net lamp weight	19,8 lbs

## Codes

KEM LNN 52  
KEM LWW52  
KEM LOW 52

## Structure/Diffuser

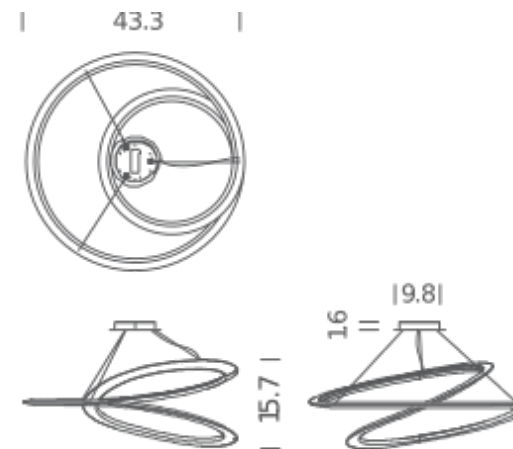
black/white  
white/white  
gold painted/white

## PACKAGE

Package 01

Dimension: 47.6" x 47.6" x 20.5" inches / Gross weight:  
41,9 lbs

## Certificazioni



# UPLIGHT

## LAMPING

Source	LINEAR LED
Total power	77W
Emission	INDIRECT
Switching	dimmable, 1-10V
Tension	120V
Color temperature	2700K
Luminous flux	4000lm (luminous output)
Typ CRI	85
Energy class	A+
IP class	20
Materials	aluminum + pc
Notes	cabl length 8.2'
Net lamp weight	19,8 lbs

## Codes

KEM LNN 53  
KEM LWW53  
KEM LOW 53

## Structure/Diffuser

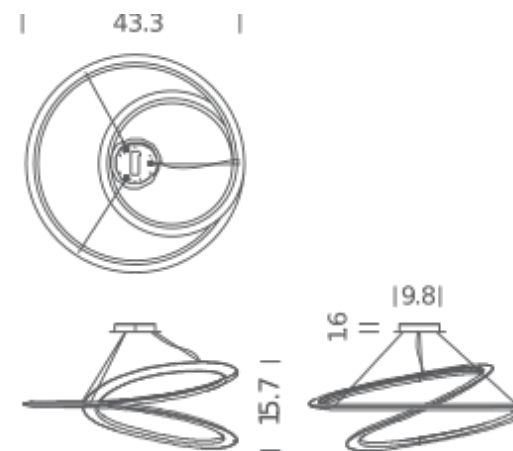
black/white  
white/white  
gold painted/white

## PACKAGE

Package 01

Dimension: 47.6" x 47.6" x 20.5" inches / Gross weight:  
41,9 lbs

## Certificazioni





# UPLIGHT

## LAMPING

Source	LINEAR LED
Total power	77W
Emission	INDIRECT
Switching	dimmable, 1-10V
Tension	120V
Color temperature	3000K
Luminous flux	4000lm (luminous output)
Typ CRI	85
Energy class	A+
IP class	20
Materials	aluminum + pc
Notes	cable length 8.2'
Net lamp weight	19,8 lbs

## Codes

KEM LNN 51  
KEM LWW51  
KEM LOW 51

## Structure/Diffuser

black/white  
white/white  
gold painted/white

## PACKAGE

Package 01

Dimension: 47.6" x 47.6" x 20.5" inches / Gross weight:  
41,9 lbs

## Certificazioni

