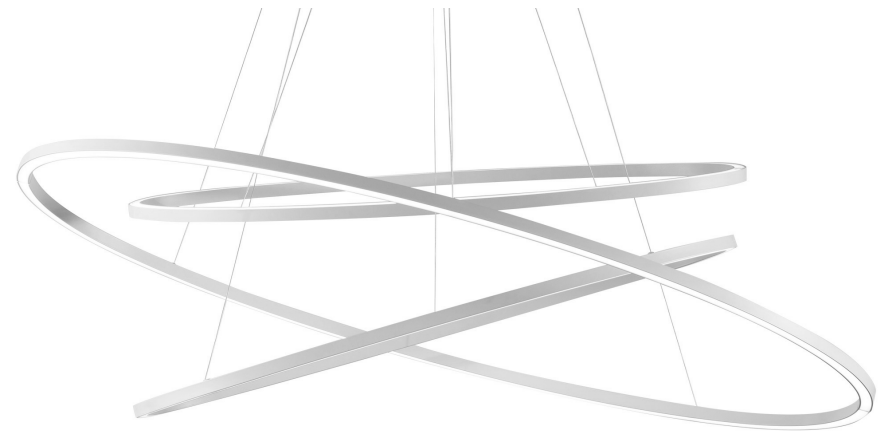


ELLISSE PENDANT TRIPLE

Federico Palazzari

LED pendant provides diffused orientable light. Made from extruded aluminum in different finishes: matt lacquered white, black or gold, or polished in natural or gold. Equipped with an opal diffuser. The lamps are made using a proprietary extrusion coupling technology.



LED 2700K

LAMPING

| | |
|-------------------|---|
| Source | linear LED |
| Total power | 70W |
| Emission | diffused orientable uplight(minor), diffused orientable downlight (major/minor) |
| Switching | dimnable 1-10V |
| Tension | 120V |
| Color temperature | 2700K |
| Luminous flux | 1050+1630+1050lm (luminous output) |
| Typ CRI | 85 |
| Energy class | A+ |
| IP class | 20 |
| Dimensions | 53.2 x 27.6 x 8 |
| Materials | Aluminum + PC |
| Notes | adjustable cable length 8.2' max, DALI version on request |

Codes

ELP LW2 57
ELP LN2 57
ELP LL2 57
ELP LO2 57
ELP LGW 57

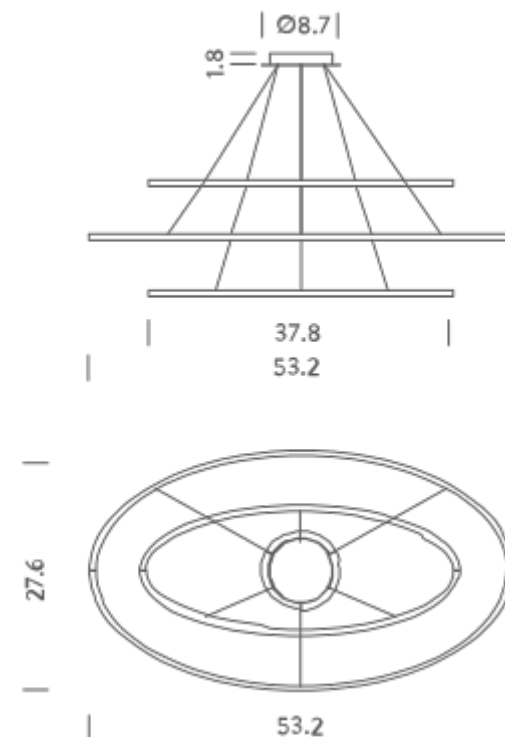
Structure

white
black
polished aluminum
gold painted
gold polished anodized

PACKAGE

Package 01 Dimension: 31.5 x 59.1 x 5.9 inches / Gross weight: 16.5 lbs

Certificazioni



LED 3000K

LAMPING

| | |
|-------------------|---|
| Source | linear LED |
| Total power | 70W |
| Emission | diffused orientable uplight(minor), diffused orientable downlight (major/minor) |
| Switching | dimnable 1-10V |
| Tension | 120V |
| Color temperature | 3000K |
| Luminous flux | 1050+1630+1050lm (luminous output) |
| Typ CRI | 85 |
| Energy class | A+ |
| IP class | 20 |
| Dimensions | 53.2 x 27.6 x 8 |
| Materials | Aluminum + PC |
| Notes | adjustable cable length 8.2' max, DALI version on request |

Codes

ELP LWW 57
ELP LNW 57
ELP LLW 57
ELP LOW 57

Structure

white
black
polished aluminum
gold painted

PACKAGE

Package 01 Dimension: 31.5 x 59.1 x 5.9 inches / Gross weight: 16.5 lbs

Certificazioni

