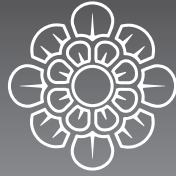
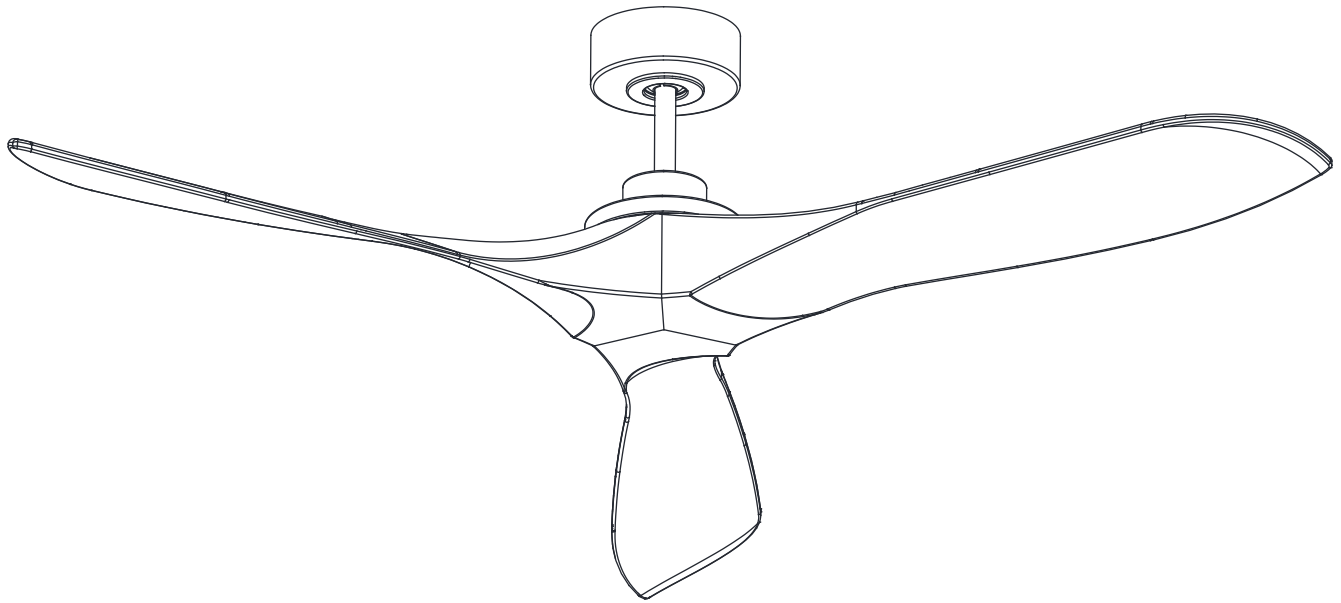


# MONTE CARLO



FAN COLLECTIONS

## Owner's Guide and Installation Manual



### 3CLNSM60XXX Series Fan

cETL Model NO. : 3CLNSM60XX

Attach sales receipt to this card and retain as your proof of purchase

DATE OF PURCHASE: \_\_\_\_\_

RETAILER NAME: \_\_\_\_\_

MODEL NUMBER: \_\_\_\_\_

RETAILER ADDRESS: \_\_\_\_\_

To register your fixture, please visit our website [www.montecarlofans.com](http://www.montecarlofans.com)



6.33 kg  
14 lbs

Total fan weight



# Cautions and Warnings

**WARNING:** TO REDUCE THE RISK OF FIRE, ELECTRIC SHOCK, OR INJURY TO PERSONS, FOLLOW THESE INSTRUCTIONS.

Installation work and electrical wiring must be done by qualified person(s) in accordance with applicable codes and standards (ANSI/NFPA 70), including fire-rated construction.

Use this unit only in the manner intended by the manufacturer. If you have any questions, contact the manufacturer.

After making the wire connections, the wires should be spread apart with the grounded conductor and the equipment-grounding conductor on one side of the outlet box and ungrounded conductor on the other side of the outlet box. The splices, after being made, should be turned upward and pushed carefully up into the outlet box.

**WARNING:** Before you begin installing, servicing or cleaning the fan unit, switch the power off at the service panel and lock the service panel to prevent the power from being switched back on accidentally. If the service panel cannot be locked to prevent the power from being switched on accidentally, securely fasten a warning sign to the service panel.

Be cautious! Read all instructions and safety information before installing your new fan. Review the accompanying assembly diagrams.

When cutting or drilling into wall or ceiling, do not damage electrical wiring and other hidden utilities.

Make sure the installation site you choose allows the fan blades to rotate without any obstructions. Allow a minimum clearance of 7 feet from the floor to the trailing edge of the blade.

**WARNING:** To reduce the risk of fire, electric shock, or personal injury, mount to outlet box marked "Acceptable for Fan Support of 15.9 kg (35 lbs) or less" and use mounting screws provided with the outlet box.

**CAUTION:** Comply with local codes and regulations. If installing the secondary support safety cable in the U.S., do not remove knockouts in the outlet box. Mount the secondary support safety cable through the reserved nail/screw hole on the outlet box to the building structure or the ceiling joist.

**WARNING:** To reduce the risk of personal injury, do not bend blade holders during installation to motor, balancing or during cleaning. Do not insert foreign object between rotating blades.

Attach the mounting bracket using only the hardware supplied with the outlet box.

**WARNING:** To reduce the risk of fire or electric shock, this fan should only be used with fan speed control part no. JY11260 manufactured by Satellite Electronic (Zhongshan) Ltd.

**WARNING:** To reduce the risk of fire or electric shock, do not use this fan with any other solid state fan speed control device, or variable speed control. If this unit is to be installed over a tub or shower, it must be marked as appropriate for the application.

Never place a switch where it can be reached from a tub or shower.

The combustion airflow needed for safe operation of fuel-burning equipment may be affected by this unit's operation. Follow the heating equipment manufacturer's guideline safety standards such as those published by the National Fire Protection Association (NFPA), and the American Society for Heating, Refrigeration and Air Conditioning Engineers (ASHRAE) and the local code authorities.

**CAUTION:** To reduce the risk of electric shock, disconnect the electrical supply circuit to the fan before installing the light kit.

**CAUTION:** The light source is designed for this specific application and can overheat if serviced by untrained personnel. If any servicing is required, the product should be returned to an authorized service facility for examination or repair.

All set screws must be checked and tightened where necessary before installation.

**Note:** Suitable for use in damp locations. Install the fan under covered or enclosed patios or porches.

Tools Required for Assembly (not included): Electrical Tape, Phillips Screwdriver, Pliers, Safety Glasses, Stepladder and Wire Strippers

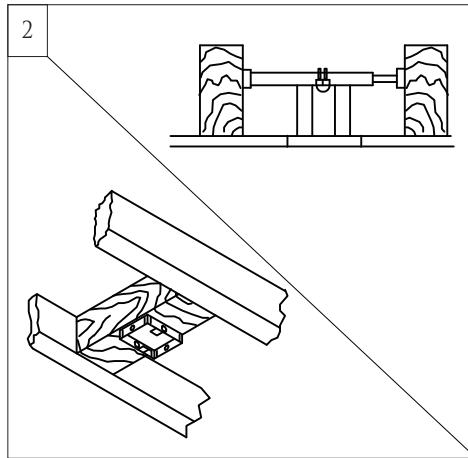
Customer Service  
800-969-3347

Customer Service Center  
7400 Linder Ave.  
Skokie, IL 60077  
[www.montecarlofans.com](http://www.montecarlofans.com)



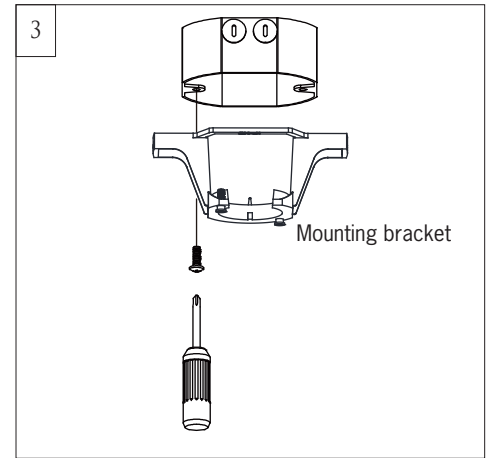
Switch power off at Service panel.  
 Lock service disconnecting means to prevent power from being switched on accidentally.  
 When the service disconnecting means cannot be locked, securely fasten a warning device, such as a tag, to the service panel.

**Use AC 120V/60HZ power supply only.**



Before installing this fan make sure the outlet box is properly installed to the house structure.

To reduce the risk of fire, electric shock, or personal injury, mount to outlet box or supporting system acceptable for fan support. (Mounting must support at least 35 lbs.)

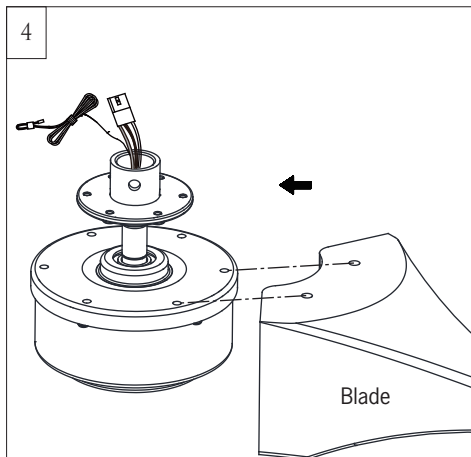


Use metal outlet box suitable for fan support and use only the screws provided with the outlet box (must support 35 lbs).

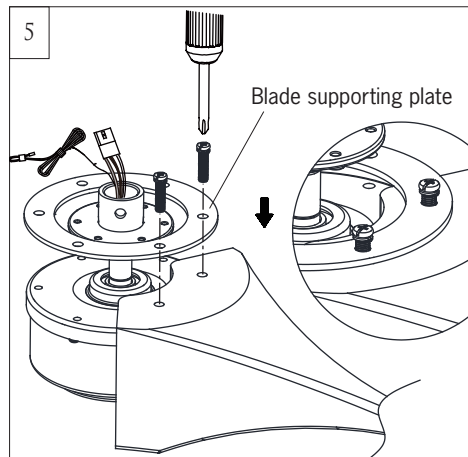
Before attaching fan to outlet box, ensure the outlet box is securely fastened by at least two points to a structural ceiling member (a loose box will cause the fan to wobble).

Remove the 2 outlet box screws provided with the box, aligning the holes of the mounting bracket with the holes of the outlet box.

Reinstall the 2 outlet box screws securely.

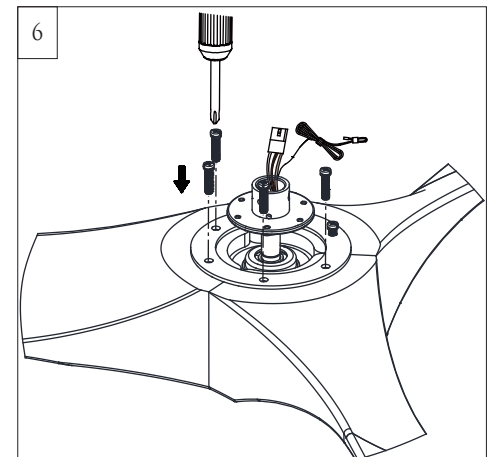


Place motor assembly on a suitable area of paper pulp for blade installation.  
 Aligning the holes on the blade with the screw holes on the motor as shown in the illustration.

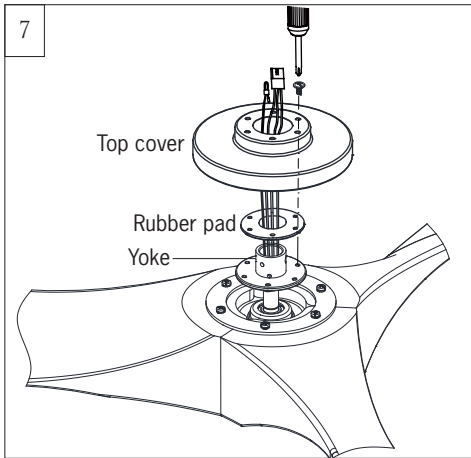


Install the blade with a blade supporting plate. Partially install blade set screws as shown in the illustration. Set screws provided.

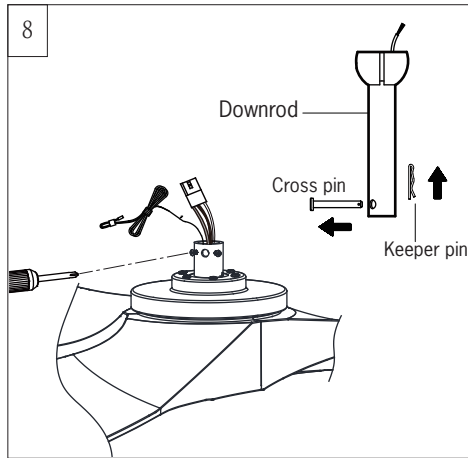
**Warning:** Blades, blade supporting plate and blade mounting screws must be installed for operation; failure to install either will void the limited lifetime warranty



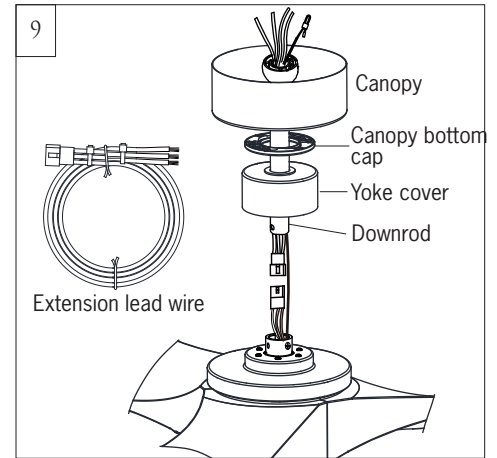
Install the other 2 blades. Adjust the blades to make the gaps between blades even and then tighten all the set screws securely.



Place a rubber pad and a top cover over lead wires and safety cable and install the top cover onto the yoke with set screws provided.



Partially loosen downrod set screws from yoke at top of motor assembly. Remove preassembled keeper pin and cross pin from downrod. Keep parts.

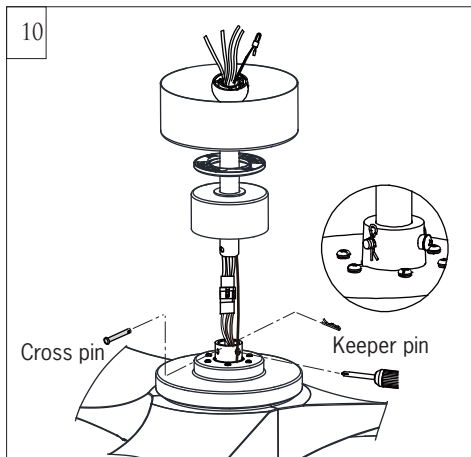


Place downrod over canopy, canopy bottom cap and yoke cover.

Connect the extension lead wires to the lead wires from motor. Make sure the quick connectors are clasped firmly.

Thread lead wires and safety cable from motor assembly through downrod.

**Note:** Make sure the plugs connections won't be pulled apart.



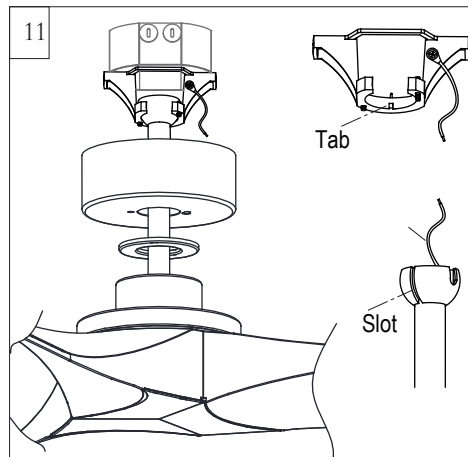
Slip downrod into motor housing yoke, aligning holes and install cross pin and keeper pin.

Insert cross pin through yoke and downrod until point appears on the other side, and insert keeper pin on cross pin.

Pull the downrod up tight against the cross pin, and then evenly tighten the downrod set screws on motor housing yoke.

Place yoke cover on top housing of fan.

**Warning:** Cross pin and keeper pin must be installed securely. Failure to install them will result in serious injury.

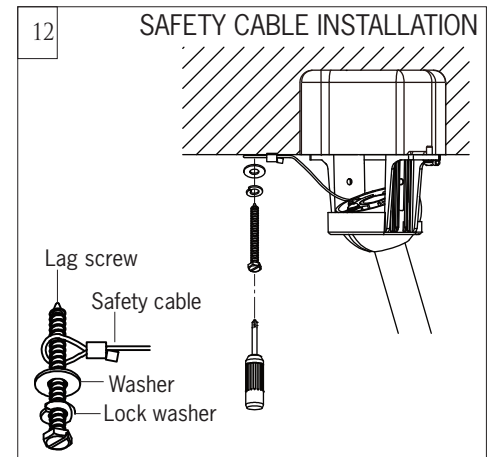


Install ball end of downrod into mounting bracket opening.

Align (engage) slot on ball with tab on mounting bracket.

**Warning:** Failure to align slot on ball with tab may result in serious injury.

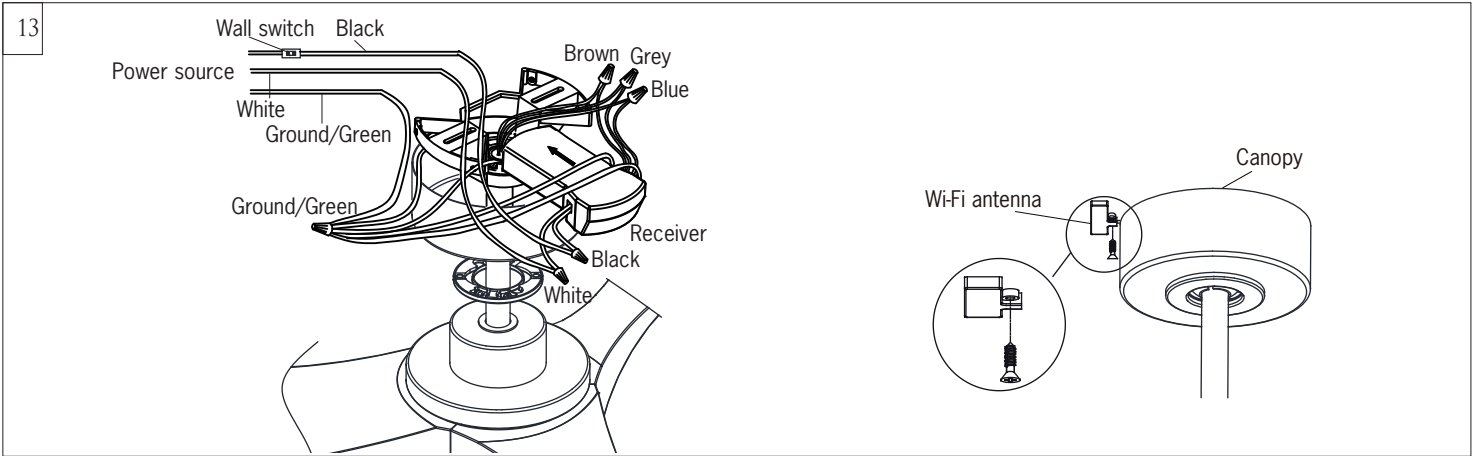
**Important:** If using the angle mount, make sure open end of mounting bracket is installed facing the higher point of the ceiling and make sure the ceiling angle is not steeper than 20°. Longer downrod may be necessary allowing the fan blades to rotate without obstructions.



Safety cable must be installed into the house structure using 3" lag screws, washers, and lock washers provided, required for outdoor applications and in Canada (All fans installed in Canada), and for USA fan and light kit combinations over 35lbs.

Make sure that when the safety cable is fully extended, the lead wires are longer than the cable and no stress is placed on the lead wires.

**Note:** If installing the secondary support safety cable in the U.S., do not remove knockouts in the outlet box.



Make wiring connections using wire connectors provided as indicated above.

Brown wire from fan to Brown wire from receiver marked Motor U.

Gray wire from fan to Gray wire from receiver marked Motor V.

Blue wire from fan to Blue wire from receiver marked Motor W.

White (Neutral) wire from house to White wire from remote marked AC IN N.

Black (Live) wire from house to Black wire from remote marked AC IN L.

Connect all green grounded wires to Grounded wire from House.

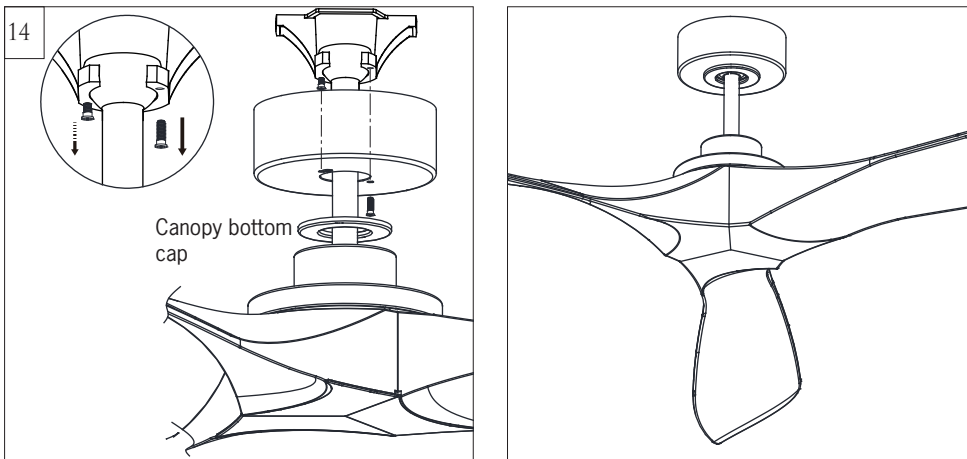
Make sure that no filaments are outside of the wire connectors.

Insert the remote receiver into mounting bracket.

After making the wire connections, the wires should be spread apart with the grounded conductor and the equipment-grounding conductor on one side of the outlet box and ungrounded conductor on the other side of the outlet box. The splices after being made should be turned upward and pushed carefully up into the outlet box.

Place the wi-fi antenna outside canopy and stick/fix it onto ceiling.

**Caution:** The installation has to be complete before operate the fan. The receiver has to be used on the fan and cannot be bypassed.



Partially loosen one and remove one preassembled screw from mounting bracket. Save screw.

Lift canopy up, aligning its keyhole slot with the preassembled screw on mounting bracket and twist clockwise to lock in place. Reinstall the other screw and tighten all screws securely.

Attach canopy bottom cap onto canopy by aligning its holes with the screws on mounting bracket and fix it with the magnet which is embedded in the cap.



## Remote Controller Operation

Remove the battery cover from the remote control transmitter and install batteries. Replace the cover. This remote uses 2 1.5V/AAA batteries.

**Note:** If not using for long periods of time, remove the batteries to prevent damage to remote controller, and store the remote controller away from excess heat or humidity. The batteries will weaken with age and should be replaced before they leak or corrode as this will damage the controller. Dispose of the used batteries properly. Always keep batteries out of the reach of children.

## Universal Mode and Learning Mode

Your remote controller has two options: "Universal Mode" (mark "0") and "Learning Mode" (mark "1").

If choosing "Universal Mode," simply move the switch to the LOWER position (mark "0"). Your fan with the remote controller is ready to use.

**Note:** If using Universal Mode, your fan can be controlled with other remote controllers with the same setting.

To control the fan with a specific remote controller, choose "Learning Mode" by moving the switch to the UPPER position (mark "1") and then follow the Learn Mode steps below.

### Learn Mode

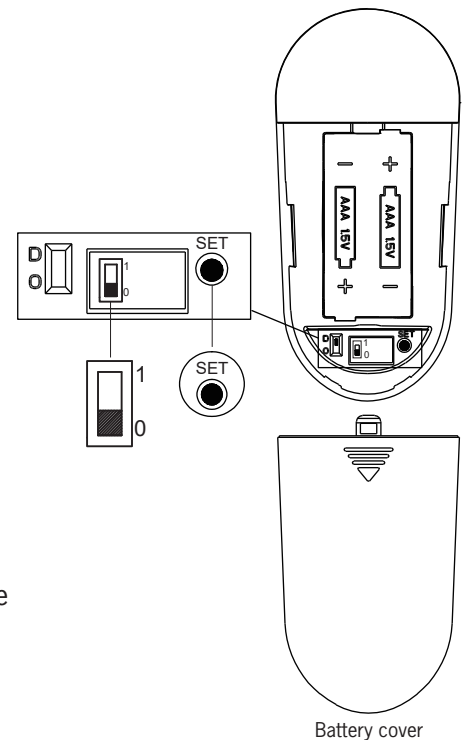
**Important:** Turn the power on for ONLY the specific fan you wish to pair with the remote controller. Make sure to turn the power off for all other fans with which you use the same remote controller.

Restore power to your fan, press and hold the "SET" button to pair the transmitter and receiver. You must press the 'SET' button within 60 seconds of restoring power to the fan.

**Note:** Fan will at first operate at minimum speed and light will blink (if your fan has a light) after you've chosen Learn Mode.

**Note:** If the power is already on, you must turn the power off and then back on for the remote control setting.

**Note:** If you reset the controller to Universal Mode (mark "0") and later want to pair the controller again to a specific fan, you have to repeat the Learn Mode steps.



## The remote control buttons control the fan speed as follows:

### Fan speed

1 = minimum speed      2 = low speed      3 = medium low speed

4 = medium speed      5 = medium high speed      6 = high speed

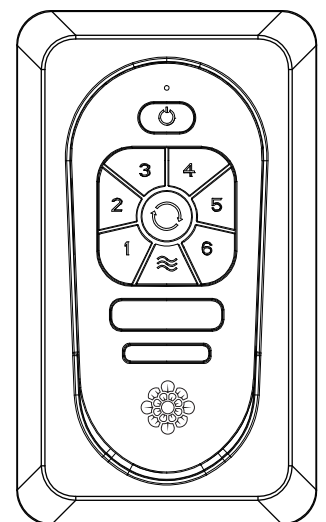
- ⏻ This button turns the fan off.
- ↻ Forward/Reverse button: This button is to control direction of fan rotation. Press once to change direction of the fan rotation. Fan must be running to reverse.

### ≈ Breeze:

Press the Breeze button, fan will operate randomly among minimum, low and medium low speed at intervals of 30 seconds until the breeze mode is canceled.

Breeze mode can be erased by pressing either the power or speed control buttons.

**Note:** This remote controller has auto resume function. The fan will maintain the last setting when turned back on, with the exception of Breeze mode.



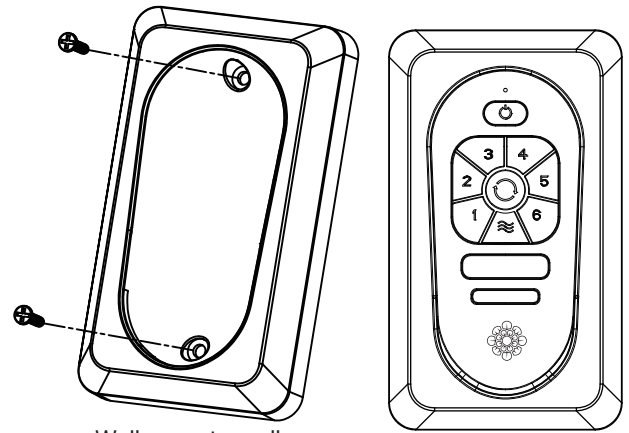


Install Transmitter wall mount cradle with 2 screws provided.

**Useful tips:**

The remote transmitter can be removed by pressing it upward from the lower half.

The remote transmitter can be held on magnetic metal materials by a magnet built in the transmitter.



Wall mount cradle

**The receiver provides the following protective functions:**

**Lock protection:** The DC motor has a build-in safety feature against blade obstruction during operation. If something obstructs the fan blades, the motor will stop operation after about 20 seconds of interruption. Please remove obstacles and reset it by turning the power off, and then turn power back on.

**Over 40W protection:** When the receiver detects motor power consumption which is greater than 40W, the fan RPM will automatically lower to prevent it from overloading.

**User Tips**

1. If your fan is operating automatically after installation, it is still using the factory setting. Follow the settings for Learn Mode above to reset.
2. If the fan or light isn't working, reset power (turn the power off then turn the power back on) and follow the Universal Mode or Learn Mode remote control settings.
3. If two or more fans in the same remote signal range are on the same power supply, they cannot be operated separately by remote control. Use a separate power supply for each fan, such as an individual wall switch, and restrict the power supply to only the fan which you are pairing with its transmitter in order to use the remote controller.
4. When the fan is turned on to oscillate in either forward or reverse direction, it may shudder briefly until fully engaged. This is a normal operation for this fan; the shuddering will quickly cease as movement is engaged.

THIS DEVICE COMPLIES WITH PART 15 OF THE FCC RULES OPERATION IS SUBJECT TO THE FOLLOWING TWO CONDITIONS. (1) THIS DEVICE MAY NOT CAUSE HARMFUL INTERFERENCE AND (2) THIS DEVICE MUST ACCEPT ANY INTERFERENCE RECEIVED, INCLUDING INTERFERENCE THAT MAY CAUSE UNDESIRABLE OPERATION.




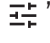
## Fan operation with Bond Home APP

Download the Bond Home app with your smart devices. The app is available on the Google Play Store and Apple Store.  
Or get it from bond home link, <http://bondhome.io/app>



Create a new account following on-screen operating steps.

Make the fan (Smart by Bond wi-fi receiver) connection with wi-fi router. Within 60 seconds of restoring power to the fan, Press and hold the “Power” button of transmitter for 5 seconds until light blinks and fan runs at lowest speed for about 10 seconds. Your fan has now successfully learned the transmitter.

**Note:** If you haven’t made “learn” function setting for the fan remote yet. You may handle it via the bond app. On the fan operation UI, tap device setting “ or ” at upper right area and select Manage Remotes.

**Note:** Check and make sure power on and Wi-Fi router is functional.

To add a new device. Press “+” and choose Smart by Bond, and following on-screen information and set up your fan (Wi-Fi receiver) with smart phone/device and Wi-Fi router.

Tap “Settings” on the bond app, select Schedules and following on-screen information to set up schedule.

**Note:** If “Bond Configuration” Wi-Fi network cannot be found, try pressing and holding the button of power on the remote transmitter for 10 seconds, the Wi-Fi network should re-appear.

**Note:** You may control fan from multiple smart phones or tablets by logging onto the same Bond Home account on all the smart phones/tablets.

### Compatible with Amazon Alexa, Google Home and Samsung SmartThings

Tap “Settings” on the bond app, select Manage Integrations and you may find the Smart Cloud integrations.

Or you may download Alexa, Google Home, Samsung SmartThings app. You may need to sign up an account if you don’t have it yet. Sign in your Alexa/Google Home/Samsung SmartThings account.

- Login Amazon Alexa, Google Home or Samsung SmartThings app to enable the skill and discover the MC Fan with Smart by Bond wi-fi receiver.
- Come back to the Smart device with bond app and define the device/MC Fan.


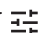

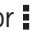
Connect to Amazon Echo, Google Home or Samsung SmartThijngs to make your fan can be voice-activated, and available with UI (User interface) of Amazon Echo, Google Home or Samsung SmartThings.

### Initialize (Factory reset) the wi-fi receiver

If there are questions on the fan operation with bond app, following below steps to initialize the wi-fi receiver and redo bond app setting.

Turn the fan power off, and then turn the power back. Within 30 seconds, press and hold the button of the first speed/1<sup>st</sup> on the transmitter for 15 seconds until light blinks. The receiver has been initialized.

Wait for 10 seconds and redo bond app setting.

Initialization (Factory resetting) can also be performed via the app: Tap device setting “ or ” and then tap “ or ” at upper right corner to remove device, and then select “Wipe All Data”.





# Troubleshooting

If you have difficulty operating your new ceiling fan, it may be the result of incorrect assembly, installation, or wiring. In some cases, these installation errors may be mistaken for defects. If you experience any faults, please check this Troubleshooting Chart. If a problem cannot be remedied, or you are experiencing difficulty in installation, please call our Customer Service Center at the number printed on your parts list insert sheet.

**Warning:** Before you begin installing, servicing or cleaning the fan unit, switch the power off at the service panel and lock the service panel to prevent the power from being switched back on accidentally. If the service panel cannot be locked to prevent the power from being switched on accidentally, securely fasten a warning sign to the service panel.

Trouble	Suggested Remedy
1. If fan does not start:	<ol style="list-style-type: none"><li>1. Check main and branch circuit fuses or circuit breakers.</li><li>2. Check line wire connections to fan and switch wire connections in switch housing.</li></ol> <p><b>CAUTION:</b> Make sure main power is turned off.</p> <ol style="list-style-type: none"><li>3. If this fan uses manual forward/reverse switch, make sure the switch is pushed firmly either way. Fan will not operate when switch is in the middle.</li><li>4. If this fan uses a remote controller, make sure dip switches are in the correct setting and make sure the battery works.</li></ol>
2. If fan sounds noisy:	<ol style="list-style-type: none"><li>1. Check to make sure all screws in motor housing are snug (not over tightened).</li><li>2. Check to make sure the screws which attach the fan blade holder to the motor are tight.</li><li>3. Check to make sure wire nut connectors in switch housing are not rattling against each other or against the interior wall of the switch housing.</li></ol> <p><b>CAUTION:</b> Make sure main power is turned off before entering switch housing.</p> <ol style="list-style-type: none"><li>4. Check to be sure lightbulb is tight in socket and not touching the glass shade.</li><li>5. Some fan motors are sensitive to signals from Solid State variable speed controls.</li><li>6. Allow "break-in" period of 24 hours. Most noises associated with a new fan will disappear after this period.</li></ol>
3. If fan wobbles:	<ol style="list-style-type: none"><li>1. If this is a downrod mount fan, make sure the ridge on mounting bracket engages the notch in the downrod ball.</li><li>2. Make sure that canopy, mounting bracket or mounting plate are tightened securely to ceiling junction box and junction box is mounted firmly to ceiling joist.</li><li>3. Check that all blades are screwed firmly into blade holders.</li><li>4. Check that all blade holders are tightened securely to motor.</li><li>5. Most fan wobble problems are caused when blade levels are unequal. Check this level by selecting a point on the ceiling above the tip of one of the blades. Measure this distance from blade tip to ceiling. Keeping measure within 1/8", rotate the fan until the next blade is positioned for measurement. Repeat for each blade. If all blade levels are not equal, you can adjust blade levels by the following procedure. To adjust a blade tip down, insert a washer (not supplied) between the blade and blade holder at the screw closest to the motor. To adjust a blade tip up, insert washer (not supplied) between the blade and blade holder at the two screws farthest from the motor. Reverse the position of the washer if blades mount from top of blade.</li><li>6. If blade wobble is still noticeable, interchanging two adjacent blades can redistribute the weight and possibly result in smoother operation.</li></ol> <p>If the above steps do not eliminate the wobble problem, you will need to dynamically balance your fan with balancing kit provided.</p>
4. If light does not work:	<ol style="list-style-type: none"><li>1. Check blue wire from fan to make sure it is connected to hot wire from house.</li><li>2. Check for loose or disconnected wires in fan switch housing.</li><li>3. Check for loose or disconnected wires in light kit.</li><li>4. Check for faulty lightbulb and make sure bulb is tight in socket.</li><li>5. Remove light kit and check the plug connections if they are present.</li><li>6. If this fan uses a remote controller, make sure dip switches are in the correct setting and make sure the battery works.</li></ol> <p><b>CAUTION:</b> Make sure main power is turned off before entering switch housing and/or canopy.</p>

Aug.2021

Nov.2021 update about UI of Bond App