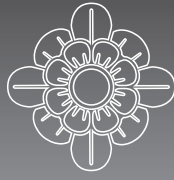
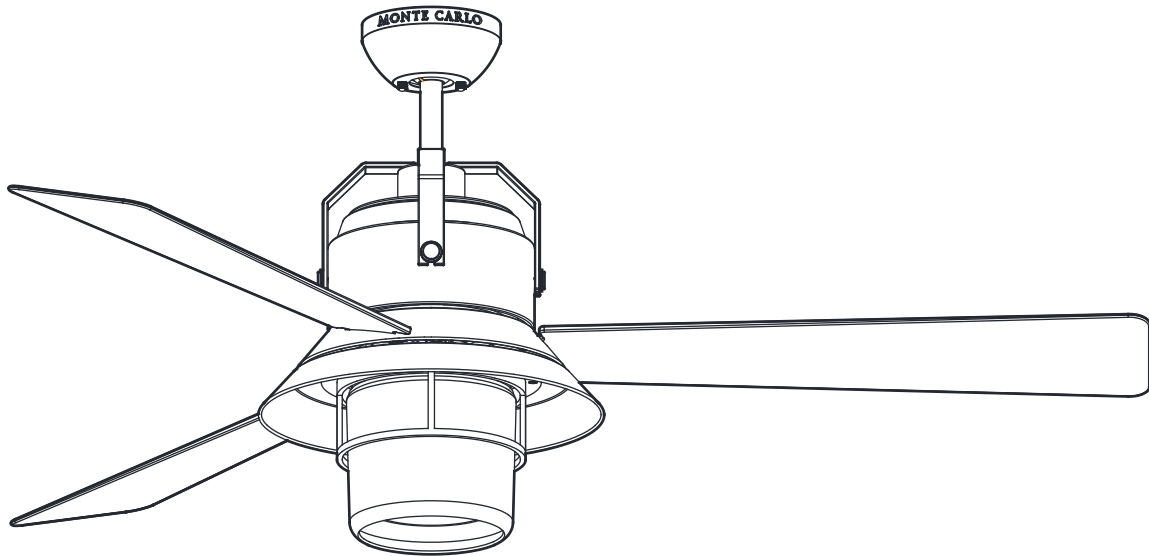


MONTE CARLO



CEILING FAN COMPANY

Owner's Guide and Installation Manual



3BTR54XXXXD Series Fan

CUL Model NO. : 3BTR54XXXXD

Attach sales receipt to this card and retain as your proof of purchase

DATE OF PURCHASE: _____

RETAILER NAME: _____

MODEL NUMBER: _____

RETAILER ADDRESS: _____

To register your fixture, please visit our website www.montecarlofans.com



9.9 kgs
21.8 lbs

Total fan weight with light kit



Cautions and Warnings

WARNING: TO REDUCE THE RISK OF FIRE, ELECTRIC SHOCK, OR INJURY TO PERSONS, OBSERVE THE FOLLOWING
READ AND SAVE THESE INSTRUCTIONS

Installation work and electrical wiring must be done by qualified person(s) in accordance with applicable codes and standards (ANSI/NFPA 70), including fire-rated construction.

Use this unit only in the manner intended by the manufacturer. If you have any questions contact the manufacturer.

After making the wire connections, the wires should be spread apart with the grounded conductor and the equipment-grounding conductor on one side of the outlet box and ungrounded conductor on the other side of the outlet box. The splices, after being made, should be turned upward and pushed carefully up into the outlet box.

WARNING: Before you begin installing the fan, servicing or cleaning unit, Switch power off at Service panel and lock service disconnecting means to prevent power from being switched on accidentally. When the service disconnecting means cannot be locked, securely fasten a prominent warning device, such as a tag, to the service panel.

Be cautious! Read all instructions and safety information before installing your new fan. Review the accompanying assembly diagrams.

When cutting or drilling into wall or ceiling, do not damage electrical wiring and other hidden utilities.

Make sure the installation site you choose allows the fan blades to rotate without any obstructions. Allow a minimum clearance of 7 feet from the floor to the trailing edge of the blade.

WARNING: To Reduce The Risk Of Fire, Electric Shock, or Personal Injury, Mount To Outlet Box Marked "Acceptable for Fan Support of 15.9 kg (35 lbs) or less" And Use Mounting Screws Provided With The Outlet Box.

CAUTION: For Compliance with Local Codes and Regulations, If Installing The Secondary Support Safety Cable in the U.S., Do Not Remove Knockouts In The Outlet Box. Mount the secondary support safety cable through the reserved nail/screw hole on the outlet box to the building structure (or the ceiling joist).

WARNING: To reduce the risk of personal injury, do not bend blade holders during installation to motor, balancing or during cleaning. Do not insert foreign object between rotating blades.

Attach the mounting bracket using only the hardware supplied with the outlet box.

WARNING: To reduce the risk of fire or electric shock, this fan must be installed with an isolating wall control/switch.

WARNING: To reduce the risk of fire or electric shock, this fan should only be used with fan speed control part no. UC7067RAI manufactured by Rhine Electronic Co., Ltd.

WARNING: To reduce the risk of fire or electric shock, do not use this fan with any other solid state fan speed control device, or variable speed control.

If this unit is to be installed over a tub or shower, it must be marked as appropriate for the application.

Never place a switch where it can be reached from a tub or shower.

The combustion airflow needed for safe operation of fuel-burning equipment may be affected by this unit's operation. Follow the heating equipment manufacturer's guideline safety standards such as those published by the National Fire Protection Association (NFPA), and the American Society for Heating, Refrigeration and Air Conditioning Engineers (ASHRAE) and the local code authorities.

CAUTION: To Reduce the Risk of Electric Shock, Disconnect the electrical supply circuit to the fan before installing the light kit.

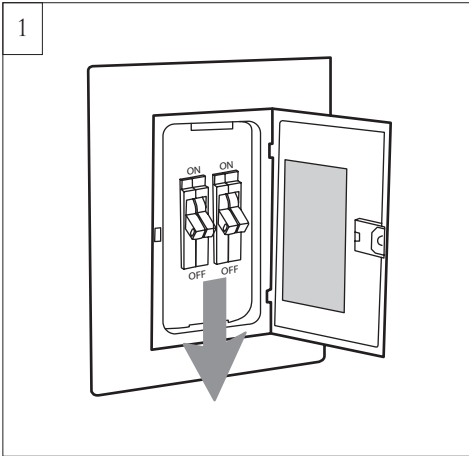
All set screws must be checked and tightened where necessary before installation.

Note: Suitable for use in wet locations when installed in a GFCI protected branch circuit.

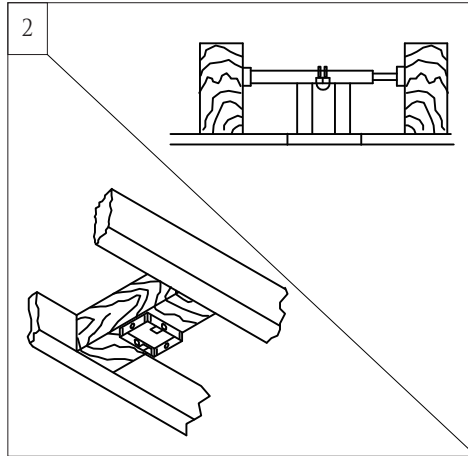
Tools Required for Assembly (not included): Electrical Tape, Phillips Screwdriver, Pliers, Safety Glasses, Stepladder and Wire Strippers

Customer Service
800-969-3347

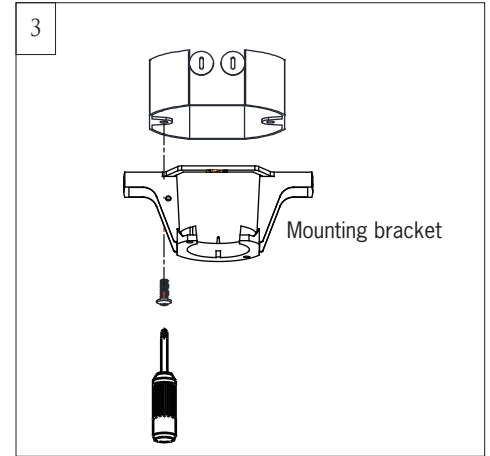
Customer Service Center
7400 Linder Ave.
Skokie, IL 60077
www.montecarlofans.com



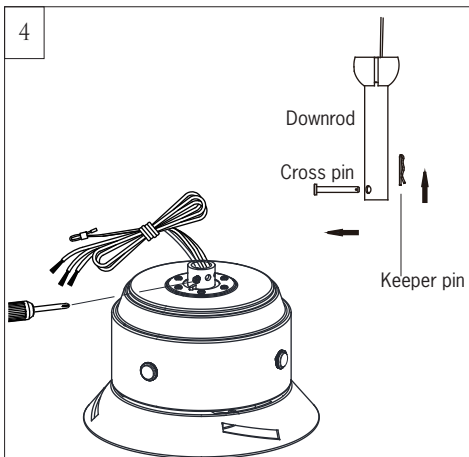
Before you begin installing the fan, Switch power off at Service panel and lock service disconnecting means to prevent power from being switched on accidentally. When the service disconnecting means cannot be locked, securely fasten a warning device, such as a tag, to the service panel.
Use AC 120V/60HZ power supply only.



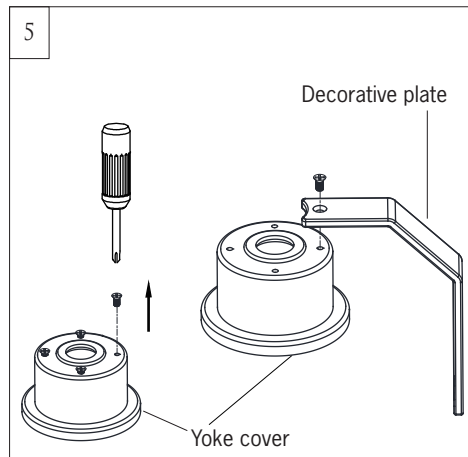
Before installing this fan make sure the outlet box is properly installed to the house structure. To reduce the risk of fire, electric shock, or personal injury, mount to outlet box or supporting system acceptable for fan support. (Mounting must support at least 35 lbs.)



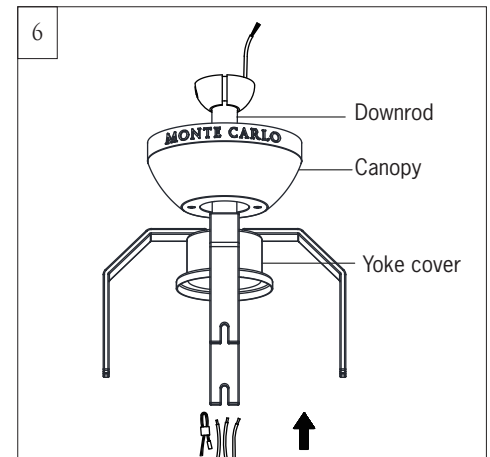
Use metal outlet box suitable for fan support and use only the screws provided with the outlet box (must support 35 lbs). Before attaching fan to outlet box, ensure the outlet box is securely fastened by at least two points to a structural ceiling member (a loose box will cause the fan to wobble). Remove the two outlet box screws provided with the box, aligning the holes of the mounting bracket with the holes of the outlet box. Reinstall the 2 outlet box screws securely.



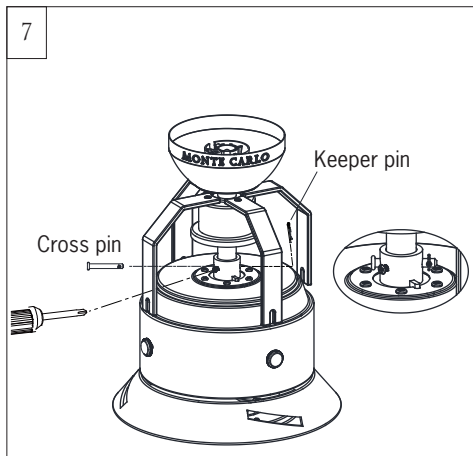
Partially loosen downrod set screws from yoke at top of motor assembly. Remove preassembled cross pin and keeper pin from downrod. Keep parts.



Remove 4 set screws from yoke cover and partially install decorative plates onto the yoke cover with the 4 set screws, corresponding with the installation step 8. **Note:** Make sure to tighten the set screws when the decorative plates are in position and fixed with decorative screws in the installation step 8.

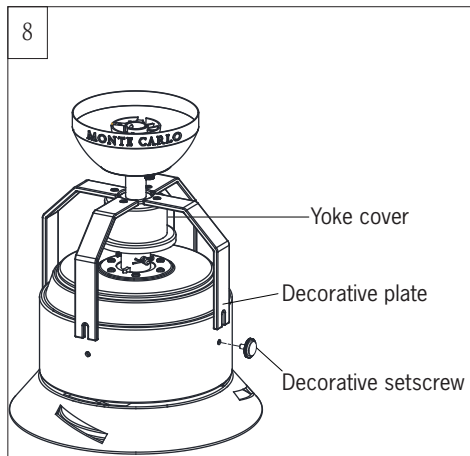


Place downrod over canopy and yoke cover. Thread lead wires and safety cable from motor assembly through downrod.

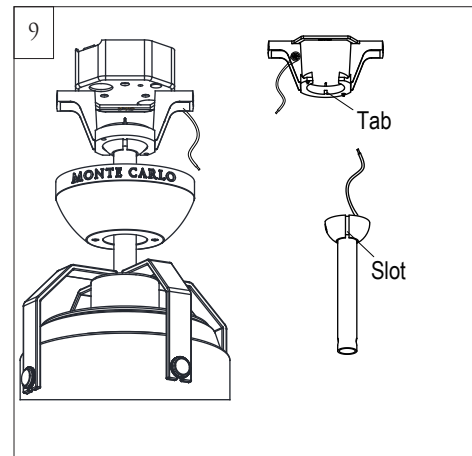


Slip downrod into motor housing yoke, aligning holes and install cross pin and keeper pin.
 Insert cross pin through yoke and downrod until point appears on the other side, and insert keeper pin on cross pin.
 Pull the downrod up tight against the cross pin, and then evenly tighten the downrod set screws on motor housing yoke.

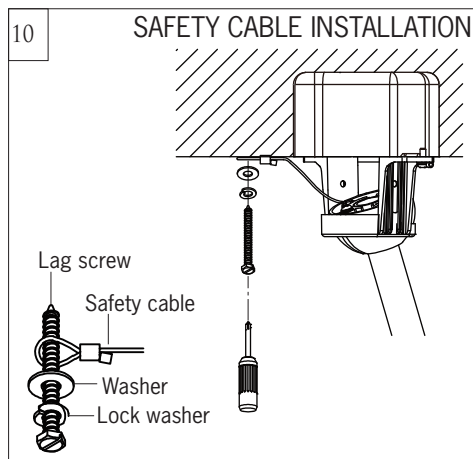
Warning: Cross pin and keeper pin must be installed securely, failure to install them will result in serious injury.



Remove the decorative set screws. Keep the set screws.
 Place yoke cover on top housing of fan.
 Align the slots of the decorative plates with the screw holes on fan housing and fix them with the decorative setscrews.
Note: Tighten the set screws on yoke cover with the decorative plate.

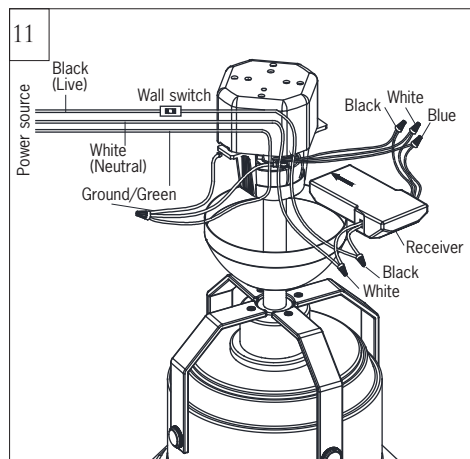


Install ball end of downrod into mounting bracket opening. Align (engage) slot on ball with tab on mounting bracket.
Warning: Failure to align slot on ball with tab may result in serious injury.
Important: If using the angle mount, make sure open end of mounting bracket is installed facing the higher point of the ceiling and make sure the ceiling angle is not steeper than 30°.

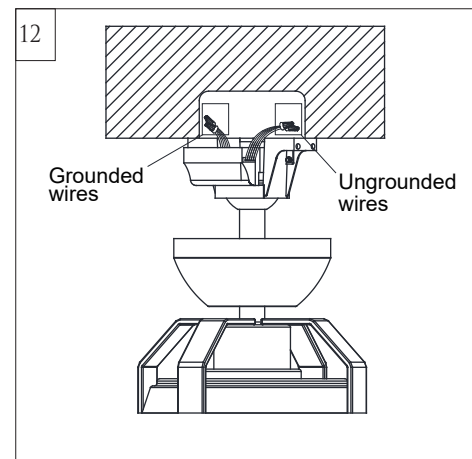


For Canadian installation and for USA fan and light kit combinations over 35 lbs, in both flush and downrod modes the safety cable must be installed into the house structure beams using 3" lag screws, washers and lock washers provided. Make sure that when the safety cable is fully extended the lead wires are longer than the cable and no stress is placed on the lead wires.

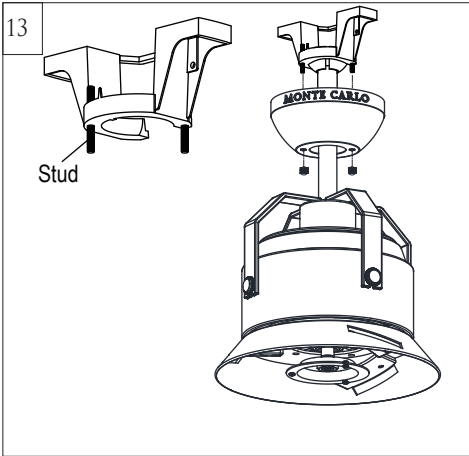
Note: If Installing The Secondary Support Safety Cable in the U.S., Do Not Remove Knockouts In The Outlet Box.



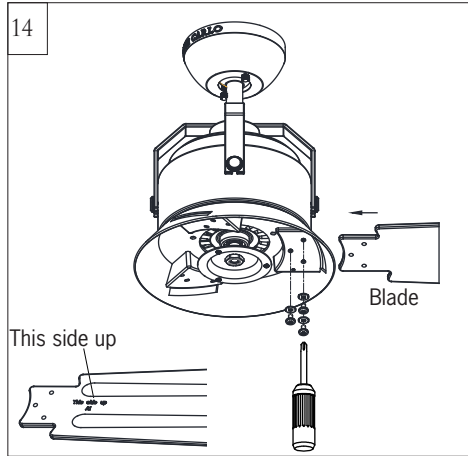
Make wiring connections using wire connectors provided as indicated above. White from fan to White from remote marked N. Black from fan to Black from remote marked L. Blue from fan to Blue from remote marked FOR LIGHT. White from house to White from remote marked AC IN N. Black from house to Black from remote marked AC IN L. Connect all green grounded wires to Grounded wire from House. Make sure that no filaments are outside of the wire connectors. Insert the remote receiver into mounting bracket. **Refer to page 7 for receiver setting.**



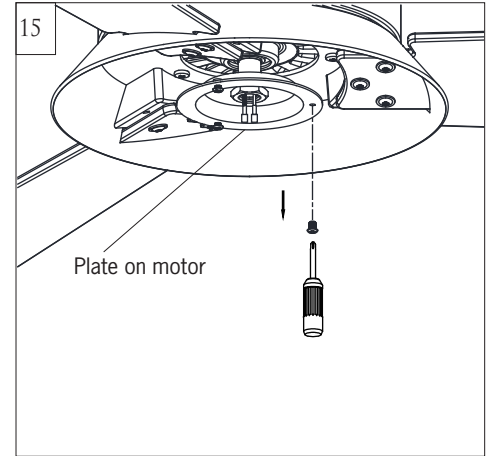
After making the wire connections, the wires should be spread apart with the grounded conductor and the equipment-grounding conductor on one side of the outlet box and ungrounded conductor on the other side of the outlet box. The splices after being made should be turned upward and pushed carefully up into the outlet box.



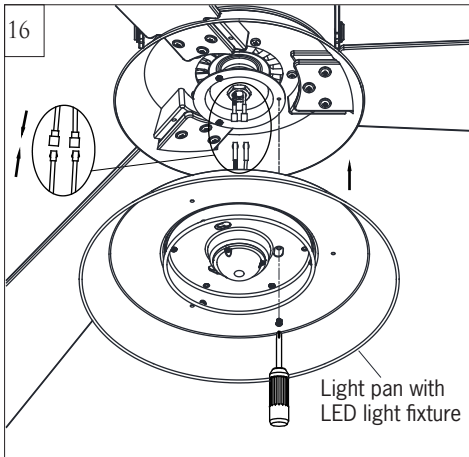
Lift Canopy allowing the 2 studs to protrude through the canopy.
 Install knurled nuts as shown. Tighten the knurled nuts securely. The canopy should adjust for any irregularity in the ceiling or Outlet box.
 Make sure the studs protruding from the bottom of the Mounting bracket are installed with threads all the way through the bracket.



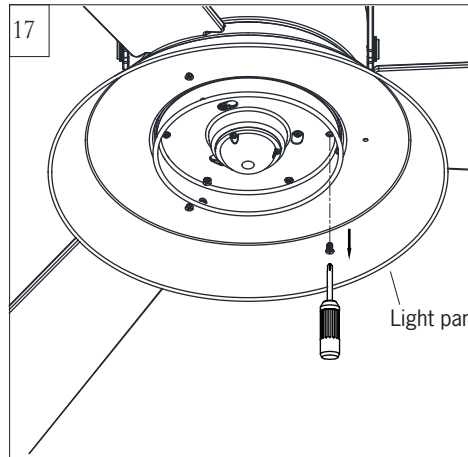
Insert blade into the slot on flywheel. Install blade with screws and washers provided, aligning each of the holes as shown and tighten all screws securely. Repeat this process for remaining blades.
Note: Make sure the side with a label "This side up" is installed upward.



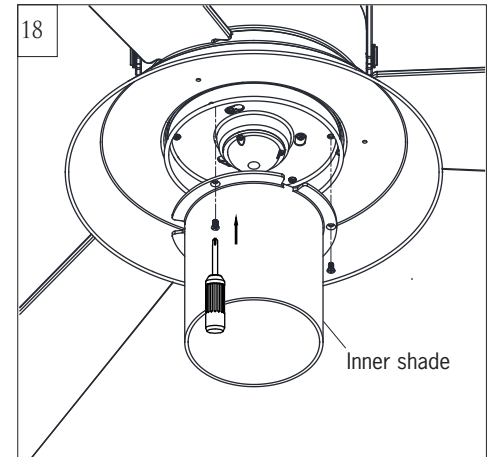
Loosen 2 and remove 1 preassembled screw from the plate on motor. Save screw for later use.



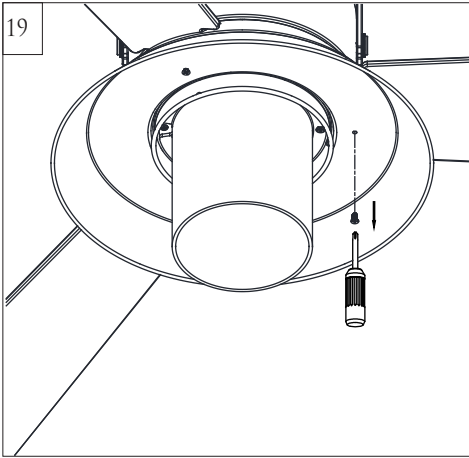
Connect white wire from fan to white wire from LED light fixture and then connect blue (or black) wire from fan to black (or blue) wire from LED light fixture.
 Attach light pan onto the plate on motor, aligning the keyhole slots on the light pan with the preassembled screws on the plate. Twist clockwise till lock. Reinstall the screw. Tighten all screws securely.



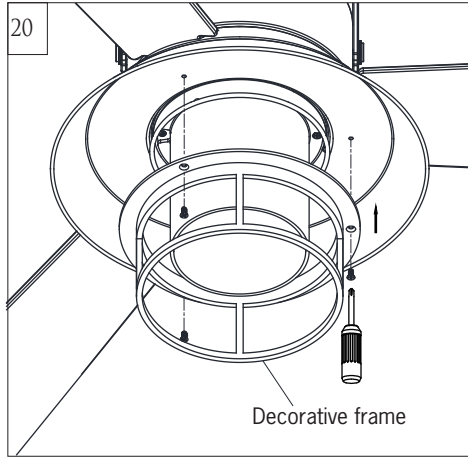
Remove 3 set screws from light pan. Keep screws.



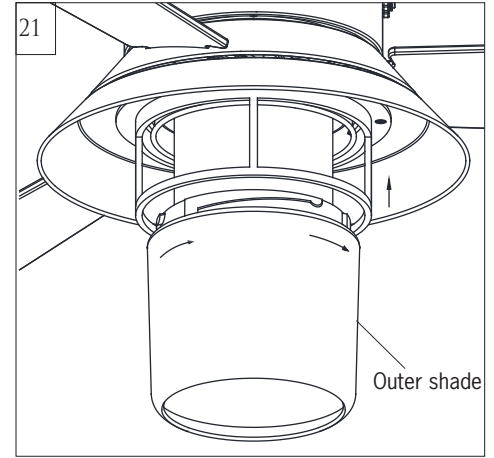
Attached inner shade onto the light pan. Align the holes on inner shade with the screw holes on the light pan. Install it onto the light pan with 3 set screws removed in the installation step 17.



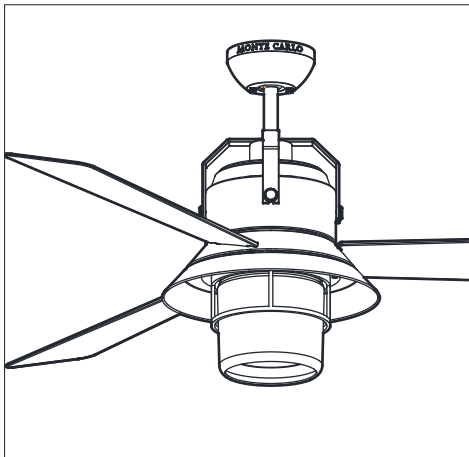
Remove 3 set screws from outer area of the light pan. keep screws.



Attached decorative frame onto the light pan. Align the holes on decorative frame with the screw holes on the light pan. Install it onto the light pan with 3 set screws removed in the installation step 19.



Attach the outer shade by locating dimples in the light pan with grooves on the glass and twist clockwise until tight.





REMOTE CONTROL SETTING (Dimming/Non Dimming)

Dimming Non Dimming Setting

The remote controller is set with dimming function at factory.

The "DIM" selection is the light dimmable selection.

If you would make the light with on/off feature, remove the rubber plug from the receiver and switch it to ON/OFF position. Replace the rubber plug.

The "ON/OFF" selection to make light ON/OFF only (non-dimming function) (Fig. 1)

Caution: If the remote receiver has been wired with fan, turn power off by wall switch before switch "DIM" and "ON/OFF" selection.

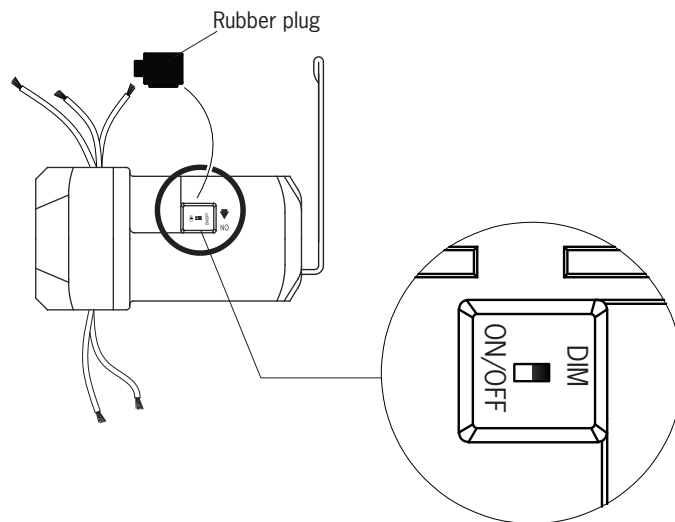


Fig. 1

Wall cradle installation

Install Transmitter wall mount cradle with 2 screws provided as shown in Fig. 2.

Install wall cradle with the direction as shown on back side of the cradle.

Useful tips:

Take remote transmitter up by pushing it at lower area of the transmitter.

The remote transmitter can be held on magnetic metal material by a magnet built in the transmitter.

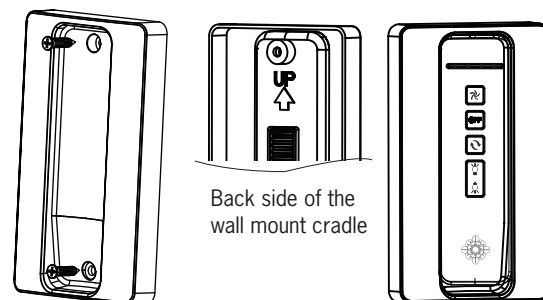


Fig. 2



REMOTE CONTROL SETTING and OPERATION

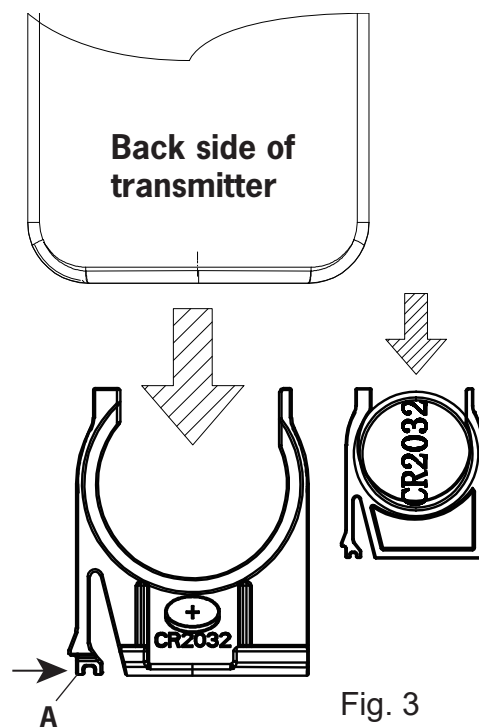
Transmitter Operation

1. Remove the battery seat from the bottom of remote control transmitter and install battery. Replace the battery seat. (Fig. 3)

Note: Use a 3V battery. The battery will weaken with age and should be replaced before leaking as this will damage the transmitter. Dispose of used battery properly, keep the battery out of reach for children.

Useful tips

Remove battery seat by pushing at "A" position as shown in Fig. 3 toward to right hand side and pull it out. Install CR2032 battery into battery seat (**make sure the side with "+" is upward**) and reinstall the battery seat.



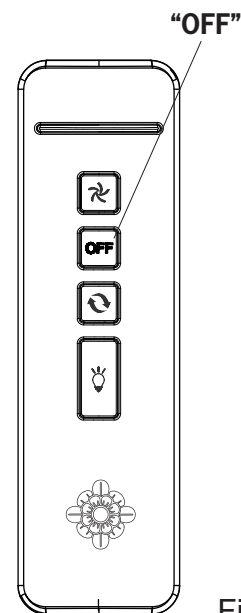
2. **Learn function setting**, Restore power source to your fan, press and hold the "OFF" button for at least 4 seconds. You must press the 'OFF" button within 60 seconds of restoring power to the fan. (Fig. 4)

Note: If the fan is installed with light (down light), light will twinkle twice then off. The remote control setting process is complete and your fan is ready for use. For fans without light, check operation using remote transmitter.

Note: If you want to control the fan with another transmitter, make the same setting. A fan can be controlled by 2 transmitters maximum.

Note: If the power is on already, you must turn the power off, and then turn the power back for remote control learn function setting.

Note: If you press wrong buttons, you must again turn power off and turn the power back then reset learn function.



Tips for end users

1. If your fan is operated automatically after installation and power on, it is because your fan is still memorize the previous setting at factory. Make learn function setting and your fan will be ready for use.
2. If fan or light isn't working, reset power (turn the power off for at least 5 seconds and then turn the power back) and redo the learn function setting.
3. It is not available to separately operate the remote setting for more than one fan in the same room (in the area where remote signal can reach to) if they share the same power supply. Separate power supplies (like as using individual wall switches for each fan and turn power off for the fan while you are making learn function for other fan) is required if you want to separately control more than one fan in same room.
4. There might be other remote transmitters got the same code combination as the transmitter that you are using, you may remove the code setting of the other transmitters by turn the power off and turn it back and then push and hold the "OFF" button of the transmitter which you are using for at least 10 seconds. You must press the 'OFF" button within 60 seconds of restoring power to the fan.



REMOTE CONTROL SETTING and OPERATION

The buttons on the remote control transmitter control the fan speed and light as follows. (Fig. 5)



Press the button to get desired fan speed, Low to High and then High to Low cyclically.



Press the OFF button to turn fan off. Fan speed will maintain last setting if turned off.



Press this forward/reverse button to get desired airflow direction. Fan must be running to reverse. It will take about 25 seconds for fan to slow down and change rotation direction.



Light control button. Press this button quickly to turn light on or off. To dim light, hold down the button, the light will cycle from bright to dim to bright until button is released when the receiver is set at "DIM" position. Light will maintain last setting if turned off.

Note: Dimming function is not available if the dimming (DIM) and non dimming (ON/OFF) switch in receiver is set at ON/OFF position.

Useful tips

LED indicator against fan speeds, ○○○○ Fan off, ●○○○ Low speed, ●●○○ Medium speed, ●●●○ Medium high speed and ●●●● High speed.

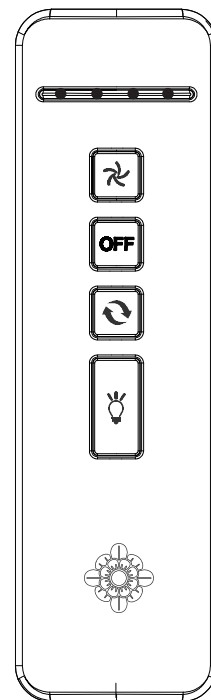


Fig. 5

THIS DEVICE COMPLIES WITH PART 15 OF THE FCC RULES OPERATION IS SUBJECT TO THE FOLLOWING TWO CONDITIONS. (1) THIS DEVICE MAY NOT CAUSE HARMFUL INTERFERENCE AND (2) THIS DEVICE MUST ACCEPT ANY INTERFERENCE RECEIVED, INCLUDING INTERFERENCE THAT MAY CAUSE UNDESIRE OPERATION.



Trouble Shooting

If you have difficulty operating your new ceiling fan, it may be the result of incorrect assembly, installation, or wiring. In some cases, these installation errors may be mistaken for defects. If you experience any faults, please check this Trouble Shooting Chart. If a problem cannot be remedied, or you are experiencing difficulty in installation, please call our Customer Service Center at the number printed on your parts list insert sheet.

Warning: Before servicing or cleaning unit, Switch power off at Service panel and lock service disconnecting means to prevent power from being switched on accidentally. When the service disconnecting means cannot be locked, securely fasten a prominent warning device, such as a tag, to the service panel.

Trouble	Suggested Remedy
1. If fan does not start:	<ol style="list-style-type: none">1.Check main and branch circuit fuses or circuit breakers.2.Check line wire connections to fan and switch wire connections in switch housing. <p>CAUTION: Make sure main power is turned off.</p> <ol style="list-style-type: none">3.If this fan uses manual forward/reverse switch, make sure the switch is pushed firmly either way. Fan will not operate when switch is in the middle.4.If this fan uses remote controller, make sure dip switches are setting properly and make sure battery is effective.
2. If fan sounds noisy:	<ol style="list-style-type: none">1.Check to make sure all screws in motor housing are snug (not over tightened).2.Check to make sure the screws which attach the fan blade holder to the motor are tight.3.Check to make sure wire nut connectors in switch housing are not rattling against each other or against the interior wall of the switch housing. <p>CAUTION: Make sure main power is turned off before entering switch housing.</p> <ol style="list-style-type: none">4.Check to be sure light bulb is tight in socket and not touching the glass shade.5.Some fan motors are sensitive to signals from Solid State variable speed controls.6.Allow "break-in" period of 24 hours. Most noises associated with a new fan will disappear after this period.
3. If fan wobbles:	<ol style="list-style-type: none">1.If this is a downrod mount fan, make sure the ridge on mounting bracket engages the notch in the downrod ball.2.Make sure that canopy, mounting bracket or mounting plate are tightened securely to ceiling junction box and junction box is mounted firmly to ceiling joist.3.Check that all blades are screwed firmly into blade holders.4.Check that all blade holders are tightened securely to motor.5.Most fan wobble problems are caused when blade levels are unequal. Check this level by selecting a point on the ceiling above the tip of one of the blades. Measure this distance from blade tip to ceiling. Keeping measure within 1/8", rotate the fan until the next blade is positioned for measurement. Repeat for each blade. If all blade levels are not equal, you can adjust blade levels by the following procedure. To adjust a blade tip down, insert a washer (not supplied) between the blade and blade holder at the screw closest to the motor. To adjust a blade tip up, insert washer (not supplied) between the blade and blade holder at the two screws farthest from the motor. Reverse the position of the washer if blades mount from top of blade.6.If blade wobble is still noticeable, interchanging two adjacent (side by side) blades can redistribute the weight and possibly result in smoother operation. <p>If the above steps do not eliminate the wobble problem, you will need to dynamic balance your fan with balancing kit provided.</p>
4. If light does not work:	<ol style="list-style-type: none">1.Check blue wire from fan to make sure it is connected to hot wire from house.2.Check for loose or disconnected wires in fan switch housing.3.Check for loose or disconnected wires in light kit.4.Check for faulty light bulb and make sure bulb is tight in socket.5.Remove light kit and check the plug connections if they are present.6.If this fan uses remote controller, make sure dip switches are setting properly and make sure battery is effective. <p>CAUTION: Make sure main power is turned off before entering switch housing and/or canopy.</p>

Sep.2018