

MODERN  
FORMS  
SMART  
FANS

# Wynd

Installation Instructions





**Please read and  
save these instructions  
before installation**

**DO NOT RETURN TO STORE**

# General Inquiries

For all questions about your ceiling fan please read all included instructions, installation procedures, troubleshooting guidelines and warranty information before starting installation.

For missing parts or general inquiries call our trained technical staff at:

**1-866-810-6615 option 0**

**MON-FRI 8AM-8PM EST**

**Email:** [customerservice@modernforms.com](mailto:customerservice@modernforms.com)

Or live chat at [modernforms.com](https://modernforms.com)

# Fan Support

For fast service have the following information below when you call:

1. Model Name and Number
2. Part Number and Part Description
3. Date Of Purchase and Purchase Location

**1-866-810-6615 option 1**

**MON-FRI 8AM-8PM EST**

**Email:** [fansupport@modernforms.com](mailto:fansupport@modernforms.com)

# Safety Rules

For operation, maintenance, and troubleshooting information, visit <http://modernforms.com/fan-support/>

To reduce the risk of electric shock, ensure electricity has been turned off at the circuit breaker before beginning. All wiring must be in accordance with the National Electrical Code "ANSI/NFPA 70" and local electrical codes. Electrical installation should be performed by a licensed electrician.

The fan must be mounted with a minimum of 7 ft. (2.1m) clearance from the trailing edge of the fan blades to the floor and a minimum of 1.5 ft (0.5m) from the edge of the fan blades to the surrounding walls. Never place objects in the path of the fan blades. To avoid personal injury or damage to the fan and other items, please be cautious when working around or cleaning the fan.

To avoid electrical shock or damage to the motor or finish, do not use water or chemicals when cleaning the fan or fan blades. A dry cloth or lightly dampened cloth will be suitable for most cleaning.

After making electrical connections, spliced conductors should be turned upward and pushed carefully up into the outlet box. The wires should be spread apart with the grounded conductor and the equipment-grounding conductor on one side of the outlet box, and the ungrounded conductor on the other side of the outlet box.

**All set screws must be checked and re-tightened where necessary before installation.**

**WARNING:** Do not install or use your fan if any part(s) is/are damaged or missing. This product is designed for use only with the supplied parts and/or accessories designated for use with this product by Modern Forms. Substitution of parts or accessories not designated for use with this product by Modern Forms could result in personal injury or property damage and will void the warranty. Contact an authorized dealer or the manufacturer if any parts are damaged or missing.

**WARNING:** To reduce the risk of electric shock, this fan must be installed and operated with the supplied wall control, or controlled from the Modern Forms app or Wi-Fi Touch Panel Wall Control (not included).

**WARNING:** Do not use power tools to assemble or install your fan. Using power tools can result in improper assembly which can lead to noise or fan damage, personal injury or property damage.


**WARNING:** To reduce the risk of personal injury, do not bend the blade arms when installing the brackets, balancing the blades or cleaning the fan.

**WARNING:** Do not insert foreign objects between rotating fan blades.

**WARNING:** Do not operate fan unless fan blades are in place. Noise and fan damage can occur

**WARNING:** This appliance is not intended for use by young children without supervision.

**WARNING:** To reduce the risk of fire, electric shock, personal injury or damage to the fan or other items, the outlet box and support structure must be securely mounted and capable of reliably supporting a minimum of 35 lbs (15.9 kg). Use only UL/cUL listed outlet boxes marked "FOR FAN SUPPORT." Use only the screws and washers provided with the outlet box.

 **CAUTION:** Before assembling your fan, refer to the "Making the Electrical Connections" section. If you feel you do not have enough wiring knowledge or experience, have your fan installed by a licensed electrician.

**NOTE:** Before servicing or cleaning the fan, switch power off at the circuit breaker.

# Get Smart...

## Integrates seamlessly with:

devices you already own



## Premium smart features:

complement high quality materials



Wet Location-listed to the strictest UL/cUL safety regulations. Finished and rated for interior and exterior use



Wi-Fi and Bluetooth enabled for flexible control



Quiet, reliable, and up to 70% more efficient than AC fans

## Accessories:

personalize your experience



Bluetooth Remote Control  
Dims light to 1% | ON/OFF  
6 fan speeds  
**F-RCBT-WT** White



Bluetooth Wall Control  
Dims light to 1% | ON/OFF  
6 fan speeds | Sold separately  
**F-WCBT-WT** White

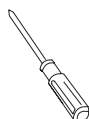


**Most Efficient  
2020**  
www.energystar.gov

# Contents

<b>1. Mounting Options</b>	<b>10</b>
<b>2. Installing the Mounting Bracket</b>	<b>12</b>
<b>3. Attaching the Fan Blade</b>	<b>12</b>
<b>4. Assembling the Fan</b>	<b>14</b>
<b>5. Hanging the Fan</b>	<b>16</b>
<b>6. Making the Electrical Connections</b>	<b>18</b>
<b>7. Installing the Optional Wall Control</b>	<b>20</b>
<b>8. Finishing the Installation</b>	<b>22</b>
<b>9. Controlling the Fan</b>	<b>24</b>
<b>10. Reset</b>	<b>26</b>
<b>11. Breeze Mode</b>	<b>26</b>
<b>12. Application</b>	<b>26</b>
<b>13. Accessories</b>	<b>28</b>
<b>14. Troubleshooting</b>	<b>30-32</b>

## Tools Required











# Package Contents

1. Blade Set of 5  
(42" / 52" / 60")  
RPL-F1801-\*\*-BD-\*\*
2. Mounting Bracket  
Downrod Assembly  
RPL-HGR-ASM-\*\*
3. Coupling Cover  
RPL-COU-CVR-\*\*
4. Canopy & Canopy Ring  
RPL-CAN-CYL-\*\*
5. Motor Housing
6. Adapter Plate
7. Luminaire Module  
F4IN-120V-R1-30
8. Luminaire Cover  
RPL-F1801-COVER-\*\*
9. Acrylic Shade  
RPL-F1801-GLA
10. Receiver w/Hardware (\*\*\*)  
F-R3-1801-0\*\*
11. Remote w/Wall Cradle  
F-RCBT-WT

\*\* denotes finish code of fan

## Hardware Bag

RPL-F1801-\*\*-PARTS

<b>A</b>	Outlet Box	Machine Screws (2)	
		Spring Washers (2)	
		Flat Washers (2)	
<b>B</b>	Blades	Screw with Fiber Washers (16)	
<b>C</b>	Electrical Connections	Wire Nuts (8)	
<b>D</b>	Safety Cable	Wood Screw (1)	
		Spring Washer (1)	
		Flat Washer (1)	



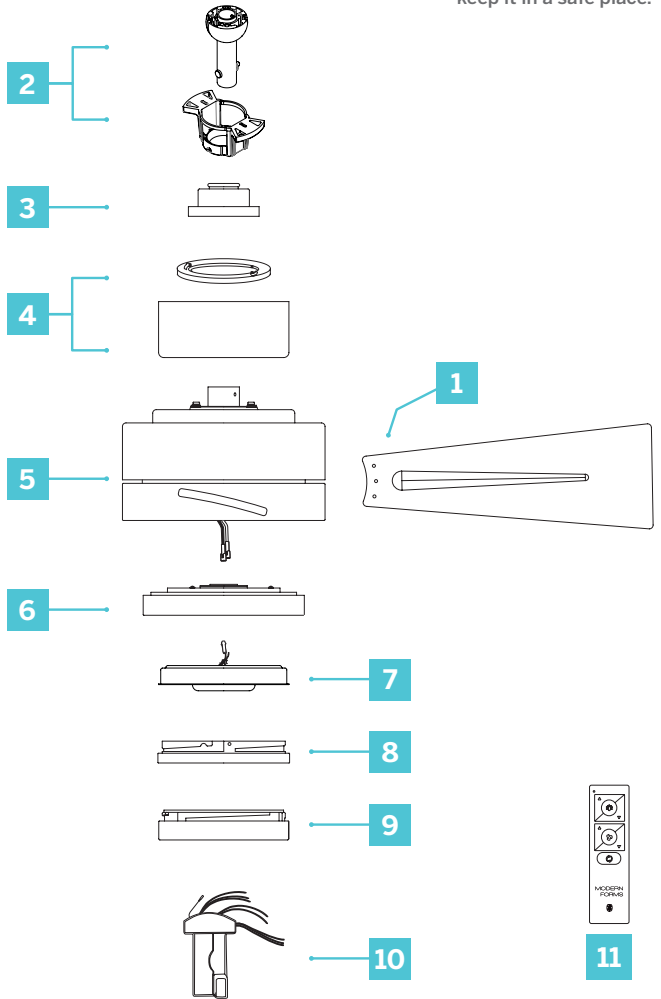
Before discarding packaging materials be certain all parts have been removed.  
Place the parts from the hardware bag into a small container to keep them from being lost.



Hangin<sup>g</sup> Weight: 20 lbs



**IMPORTANT:** Please make note of the MAC ID on the receiver and keep it in a safe place.



# 1. Mounting Options

**⚠ CAUTION:** To prevent electrical shock, ensure electricity has been turned off at the circuit breaker before beginning.

If there isn't an existing UL/cUL listed outlet box, please refer to the following instructions. Secure the outlet box directly to the building structure. Use appropriate fasteners and building materials. The outlet box and support structure must be able to fully support the moving weight of the fan (at least 35 lbs/15.9 kg). Do not use plastic outlet boxes. Use only UL/cUL listed outlet boxes marked **"FOR FAN SUPPORT:"**

Secure the outlet box directly to the building structure.

Figures 1-1C are examples of different ways to mount the outlet box.

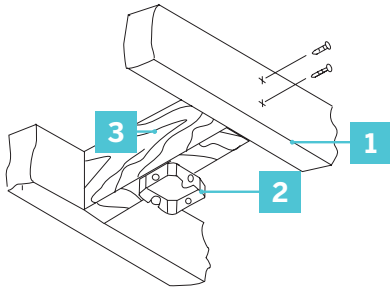
**NOTE:** To hang your fan where there is an existing fixture but no ceiling joist, you may need an installation hanger bar.

**NOTE:** Downrod fans can be suspended up to a maximum recommended length of 72" using additional downrods (sold separately) and the included 80" lead wire.

**NOTE:** The sloped ceiling kit (sold separately) is required for sloped ceiling applications, and will accommodate slopes up to 45° (Fig. 1B).

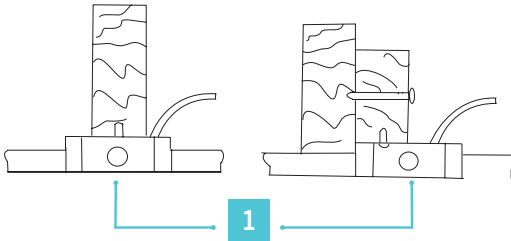
**NOTE:** You may need a longer downrod to maintain proper blade clearance when installing on a steep, sloped ceiling (Fig. 1B).

1



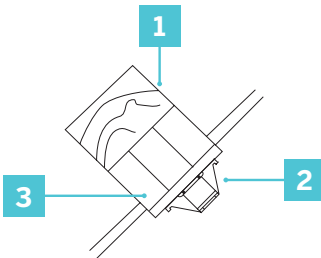
1. Support Brace
2. Outlet Box
3. Joist

1A



1. Outlet Box

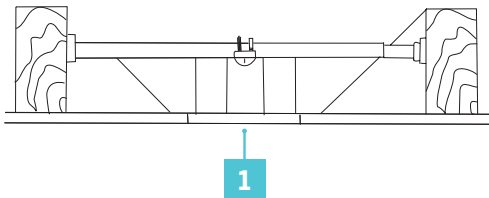
1B



Support Ceiling  
Max 30° Angle

1. Support Brace
2. Mounting Bracket
3. Recess Outlet Box

1C



1. Outlet Box

## 2. Installing the Mounting Bracket

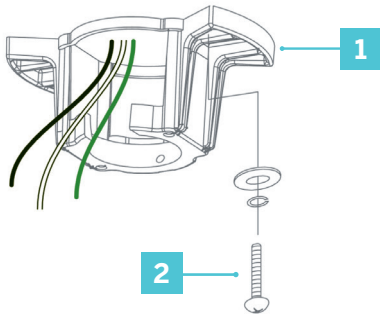
 **CAUTION:** Remember to disconnect the power at the circuit breaker.

1. Remove 1 set screw from mounting bracket and set aside for use in Finishing the Installation.
2. Pass supply wires through mounting bracket and secure to outlet box. Verify supply wire colors and designations (Fig. 2A).
3. Secure the mounting bracket to the ceiling outlet box with the screws and washers provided in the hardware bag. Use **A** hardware.

## 3. Attaching the Fan Blade

1. Place blade on motor and secure with the blade attachment, screws and washers.
2. Insert blades in slots, aligning with motor assembly holes.
3. Secure blades with blade attachment screws & washers. Use **B** hardware.

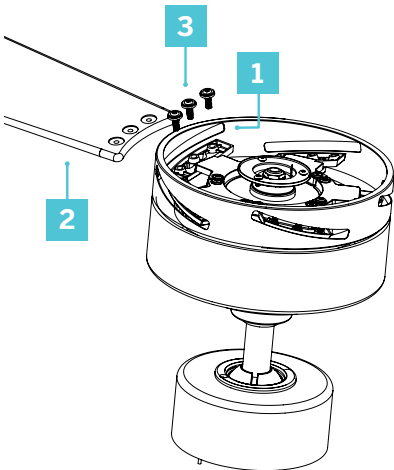
2



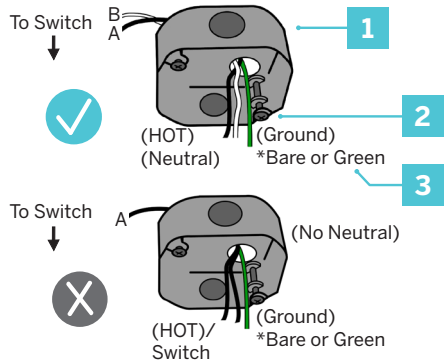
1. Mounting Bracket
2. Screw

**(A) HARDWARE USED:**  
OutletBox Screws and Washers (2)

3



2A



1. cUL Listed Electrical Box
2. Mounting Screws  
(outlet box screws not included)
3. 120V Wires

1. Slot
2. Blade (RPL-F1801-\*\*-BD-\*\*)
3. Screws with Lock Washers

**(B) HARDWARE USED:**  
Screw with Fiber Washers (16)

## 4. Assembling the Fan

**⚠ CAUTION:** Failure to properly install the cotter pin and/or tighten the set screws could result in the fan loosening and possibly falling.

**NOTE:** Screws for adapter plate (Parts Image 6) are preinstalled on the fan motor assembly on the small ring at the center of the blades. Remove blue packing ring if present.

1. Remove one screw from the mounting ring on the motor assembly and loosen the other 2 (Fig. 4).
2. Seat the adapter plate (Parts Image 6) on the center ring and twist to lock the keyhole cutouts onto the screws previously loosened (Fig. 4A).
3. Replace the 3rd screw and tighten all 3 until snugly secured by hand.

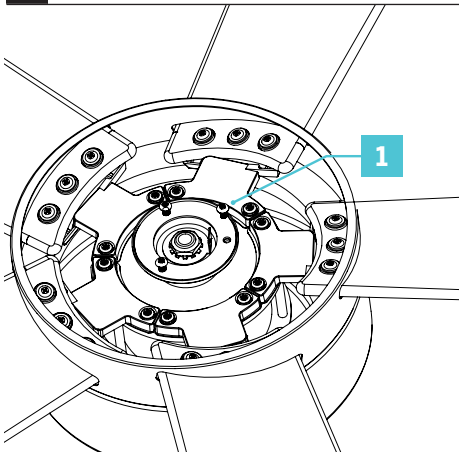
**NOTE:** Screws for luminaire module plate (Parts Image 7) are preinstalled on the adapter plate (Parts Image 6) on the middle ring. Luminaire module itself comes preinstalled on its mounting plate. Attach the LED wires to the fan. Connect the Blue from the LED to the Blue from the fan. Repeat same process for the White wire.

4. Remove one screw from the adapter plate and loosen the other 2.
5. Seat the luminaire module plate on the adapter plate and twist to lock the keyhole cutouts on the screws previously loosened (Fig. 4B).
6. Replace the 3rd screw and tighten all 3.
7. Install glass shade without over-tightening or install metal light cover (Fig. 4C).

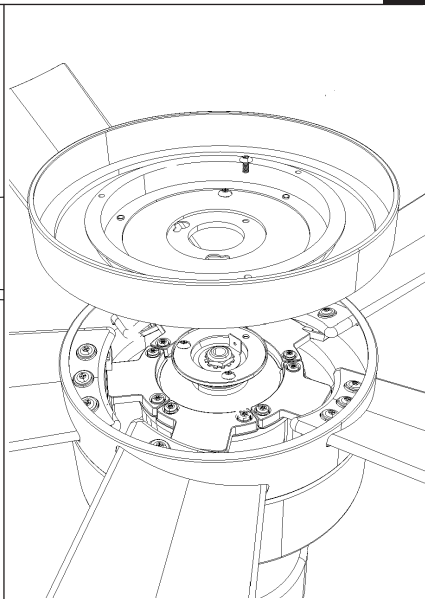
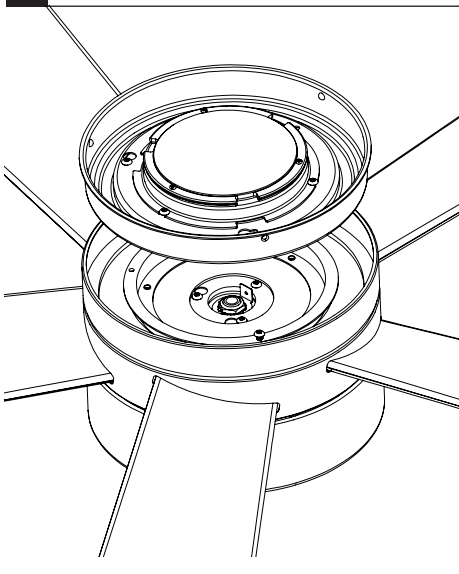
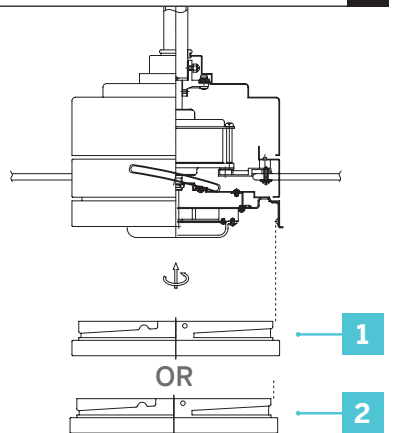
**NOTE:** Add metal light cover if you do not need lighting function or prefer a different aesthetic.

**NOTE:** Do not connect the LED connector wires if you are using the metal light cover.

**NOTE:** Do not overtighten screws or you may strip the screws or damage the plating.

**4**

1. 3 screws for adapter plate

**4A****4B****4C**

1. Luminaire
2. Metal Light Cover

## 5. Hanging the Fan

**⚠ CAUTION:** Failure to properly install the cotter pin and/or tighten the set screws could result in the fan loosening and possibly falling.

**NOTE:** Make sure all screws are tightened and that wires are not twisted.

1. Remove screw from hanger ball. Remove hanger ball and cross pin (Fig. 5).
2. Loosen 2 screws, clevis pin and cotter pin (Fig. 5).

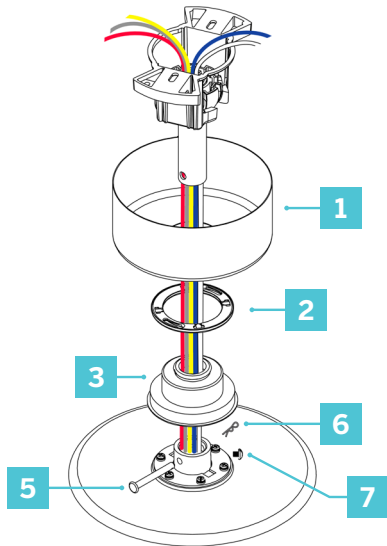
**NOTE:** Confirm all connection points on the molex connector are tight and secure. If any wires are loose, it may cause the fan to not function. Fig. 4 thread the downrod into the motor housing until you can reapply the clevis and cotter pins. Tighten the 2 screws.

3. Slip the coupling cover, canopy screw cover (painted side face down), and canopy (opened side up) onto the downrod. Coupling cover goes all the way to the bottom. Reinstall the hanger ball onto the downrod (Fig. 5A).
4. Seat all into the mounting bracket. Rotate until ball drops and locks into hanger bracket screw (Fig. 5B).
5. Secure the safety cable into the structure beams using the wood screw, washers, and spring washers provided. Use **D** hardware.

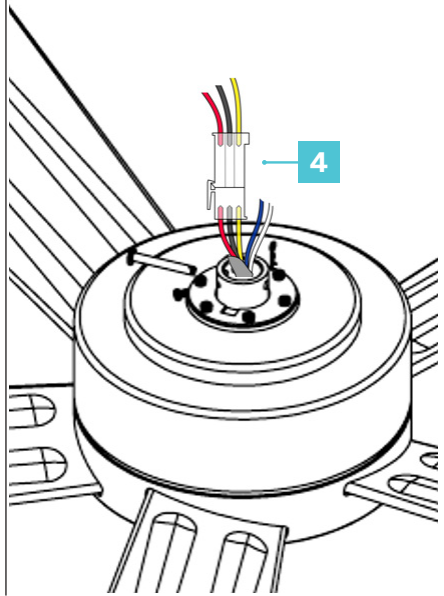
**NOTE:** Safety cable is required for all ceiling fan installations in Canada. Safety cable is required for ceiling fan and light (combo) installations over 35 lbs. in both flush and downrod models in the United States.



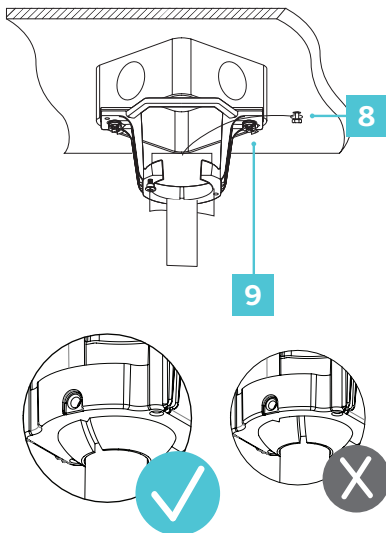
5



5A



5B



1. Canopy
2. Canopy Ring
3. Coupling Cover
4. Molex Connector
5. Clevis Pin
6. Cotter Pin
7. Motor Housing Screws
8. Wood Screw
9. Safety Cable

## 6. Making the Electrical Connections

**⚠ WARNING:** Installation of this fan requires that a three-conductor cable (including ground wire) which should run between ceiling and wall outlet box.

**⚠ WARNING:** Check to see that all connections are tight, including ground, and that no bare wire is visible at the wire nuts, except for the ground wire.

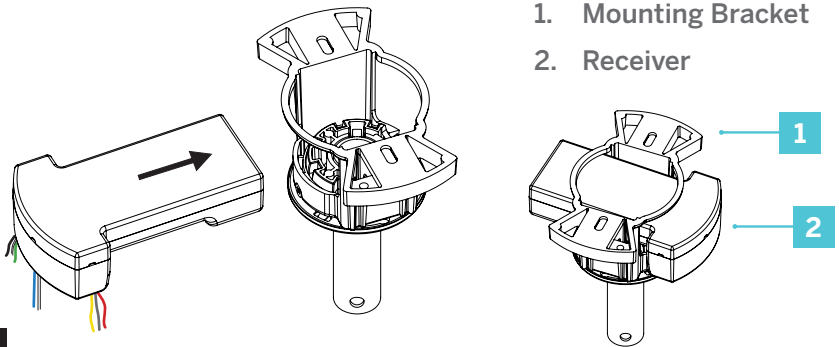
Take note of Mac ID on page 9 before inserting the receiver into the mounting bracket with the flat side of the receiver facing the ceiling (Fig. 6).

Motor to Receiver & Receiver to house supply wires (Fig. 6A).

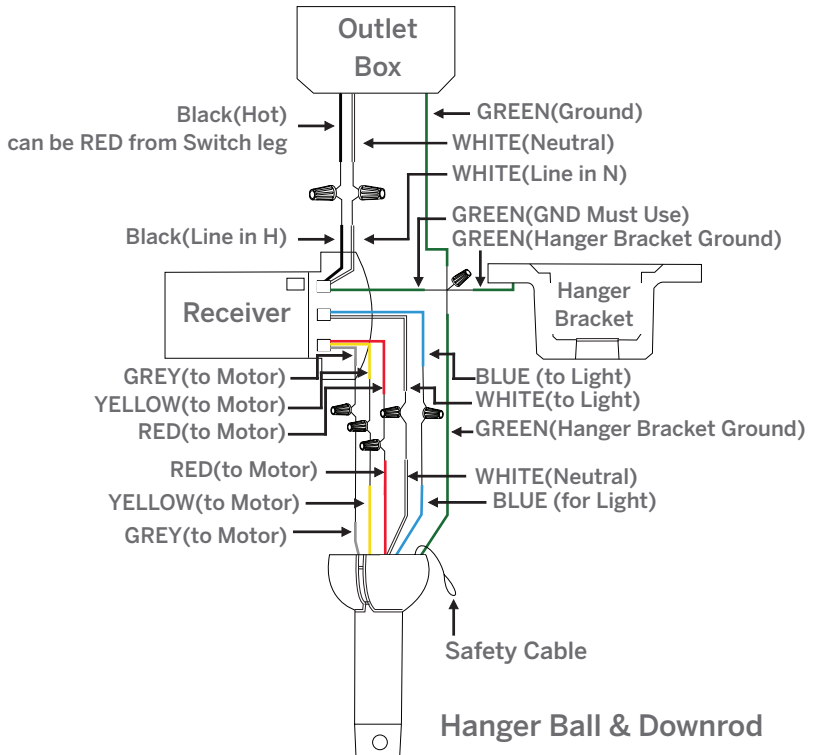
1. Connect the hanger ball/downrod assembly ground wire, mounting bracket ground wire and receiver ground wire to the ground wire in outlet box.

**⚠ WARNING:** Failure to connect ground wires could result in poor fan control functionality.

2. Connect the red wire from the fan to the red wire marked "TO MOTOR" from the receiver.
3. Connect the grey wire from the fan to the grey wire marked "TO MOTOR" from the receiver.
4. Connect the yellow wire from the fan to the yellow wire marked "TO MOTOR" from the receiver.
5. Connect the white wire from the fan to the white wire marked "FOR LIGHT" from the receiver.
6. Connect the blue wire from the fan to the blue wire marked "FOR LIGHT" from the receiver.
7. Connect the black (hot) wire from the ceiling to the black wire marked "AC in L" from the receiver.
8. Connect the white (neutral) wire from the ceiling to the white wire marked "AC in N" from the receiver.



6A

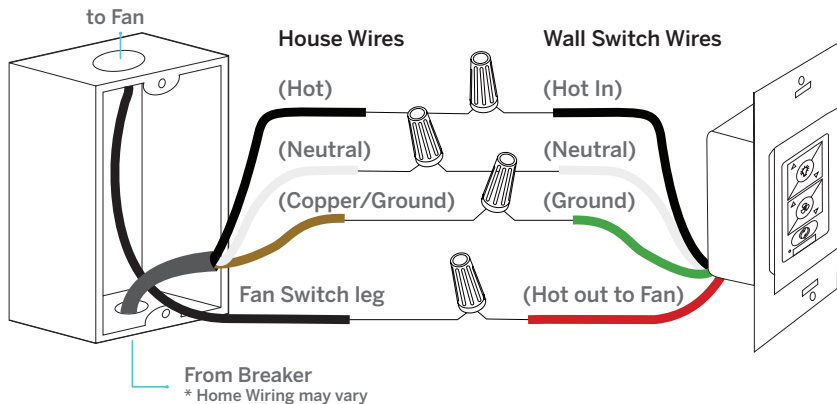


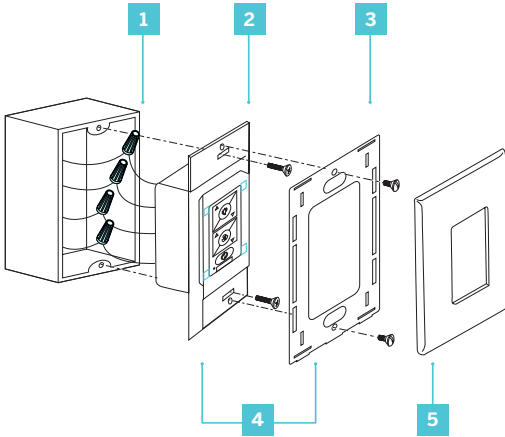
Follow the steps above to connect the fan to your household wiring. Use the plastic wire nuts with your fan. Secure the plastic wire nuts with electrical tape. Make sure there are no loose strands or connections. Failure to do so may result in damage to the electronics.

## 7. Installing the Optional Wall Control

1. Connect the green wire marked “GROUND” from the wall control to the copper wire from the wall outlet box that feeds back to the circuit breaker – important for proper fan function (Fig. 7).
2. Connect the black wire marked “LINE IN” from the wall control to the black LINE VOLTAGE wire from the wall outlet box that feeds back to the circuit breaker (Fig. 7).
3. Connect the red wire from the wall control to the black wire from the wall outlet box that feeds up to the fan (Fig. 7).
4. Connect the white wire from the wall control to the white (neutral) wire from the wall outlet box (Fig. 7).
5. Carefully tuck the wire connections inside the outlet box. Secure the wall control with the two (2) wall control screws provided (Fig. 7A).
6. Attach the wall mounting plate over the wall switch and secure with the two (2) wall mounting plate screws provided (Fig. 7A).
7. Fasten the wall plate to the wall mounting plate (Fig. 7A).

7

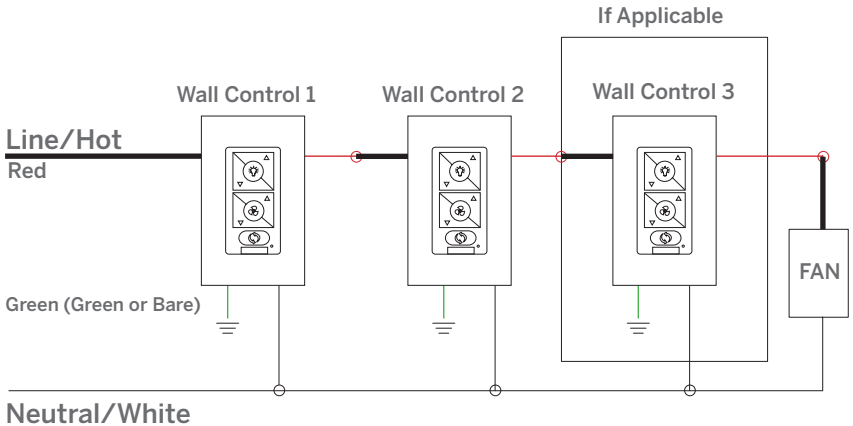




1. Wall Outlet
2. Wall Control
3. Wall Mounting Plate
4. Mounting Plate Screws
5. Wallplate

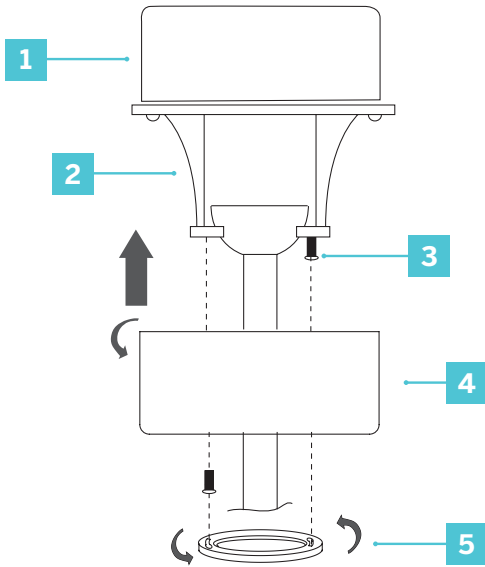
### Multi-location wiring

Individually pair each of the wall controls with the fan receiver using the pairing instruction. See page 25.



## 8. Finishing the Installation

1. Secure wire connectors with supplied wire ties.
2. Install canopy to mounting bracket with the screw removed in section 2.
3. Install canopy screw ring as shown (Fig. 8).



1. Outlet Box
2. Hanger Bracket
3. Screws
4. Canopy
5. Canopy Screw Cover

## 9. Controlling the Fan

Your fan was delivered to you with the included control already paired to your fan.

A: Light On/Off, Bright/Dim

B: Fan On/Off, Speed Up/Down

C: Season (Summer/Winter)

Air-Gap Switch: Pull tab to power off in case of emergency. Not necessary for normal fan operation (only included with wall control).

**NOTE:** Your fan features 6 speeds. An audible tone will indicate when the speed is increased or decreased. When the fan has reached the minimum/maximum speed level the fan will beep twice.

### Controlling One or Multiple Fans with Remote or Wall Controls

The Bluetooth Remote or Wall Control is capable of controlling an unlimited number of fans within line of site.

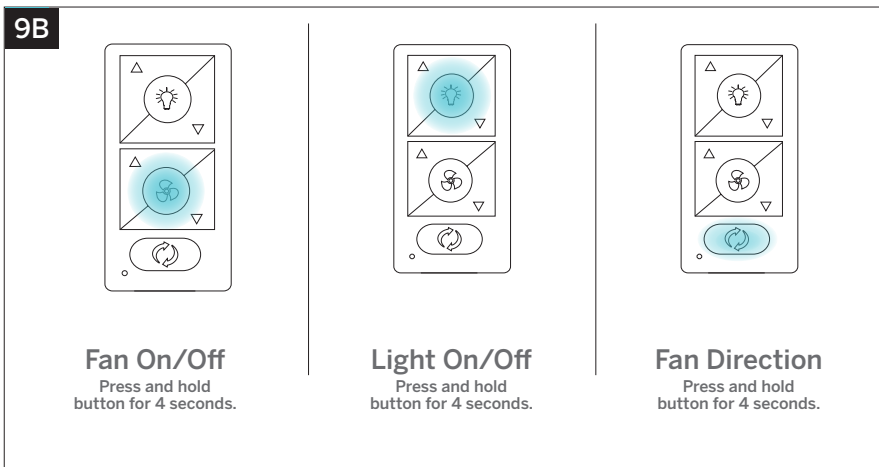
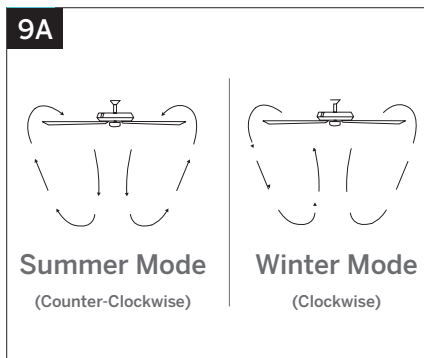
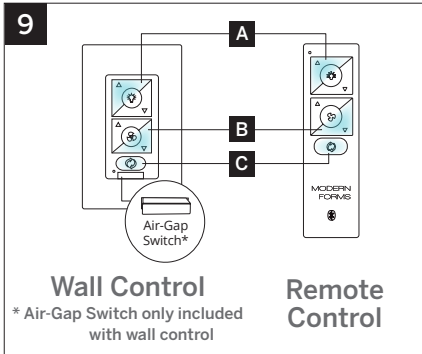
See (Fig. 9C) for Pairing.


**NOTE:** Pairing must be completed within three (3) minutes of powering the fan.


### Synchronizing Control Across Multiple Fans


If you are controlling multiple fans with one controller, fans/lights may be synced by referring to Fig. 10B and instructions on the next page.





**Fan On/Off:** Press and hold  button for 4 seconds. The LED on the remote will flash green and all connected fans will beep to indicate the message has been received. All fans will turn off. This will bring all fans controlled by the remote into sync.

**Light On/Off:** Press and hold  button for 4 seconds. The LED on the remote will flash green and all connected fans will beep to indicate the message has been received. All lights will turn off. This will bring all fans controlled by the remote into sync.

**Fan Direction:** Press and hold  button for 4 seconds. The LED on the remote will flash green and all connected fans will beep to indicate the message has been received. All fans will be set to summer mode (CCW rotation). This will bring all fans controlled by the remote into sync.

## 10. Reset





If advised by fan support, you can reset your fan to factory settings by referring to (Fig. 10A) or (Fig. 10B).

**NOTE:** If you change your Wi-Fi settings (SSID or Security Passphrase) you will require a Wi-Fi reset. Refer to Fig. 9 and then use the Modern Forms app to connect your fan to the new network.

## 11. Breeze Mode

Breeze Mode mimics the natural ebb and flow of winds in nature by varying the fan speed.

**NOTE:** Breeze Mode always rotates your fan in the Summer direction.

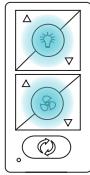
1. To start Breeze Mode, press  and  for 4 seconds. The LED will blink green and the fan will beep.
2. To exit Breeze Mode and return to standard fan mode, press  and  for 4 seconds. The led will blink green and the fan will beep. Your fan will return to the direction and speed it was set to prior to entering Breeze Mode.

## 12. Application

In addition to the included remote control, you can control your fan with a wall control (sold separately) or through the Modern Forms app. To use the Modern Forms app, download it for free from the App Store or Google Play.

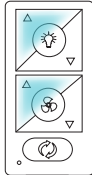
1. Open the app to create your account. You can also log in using your Facebook or Google account.
2. To set up a Wi-Fi connection you will need the SSID and Wi-Fi password for the network you wish to connect to.
3. You will receive a prompt to name your fan device and upload an optional picture of it if you choose.
4. The Modern Forms app allows you to perform normal fan functions, as well as create schedules, set sleep timers, invite other users, create groups, and use smart features such as Adaptive Learning. Integrate with smart home systems you already own including Amazon Alexa, Google Assistant, Samsung SmartThings, Control 4, and more.

9C



### Pairing

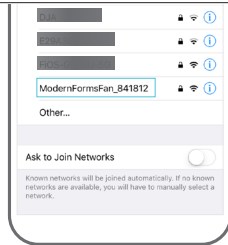
Press and hold buttons for 10-15 seconds



### Unpairing

To purge, press and hold buttons for 4 seconds

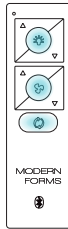
10



### Fan Wi-Fi Reset

Press and hold the and for 10 seconds until LED blinks green and receiver emits 2 long beeps

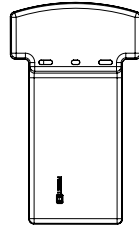
10A



### Factory Reset

Press and hold buttons for 10 seconds until the fan emits 3 beeps indicating the reset

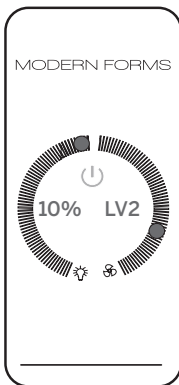
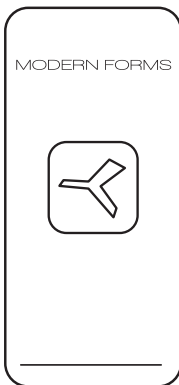
10B



### Receiver Factory Reset

Press the reset button on the receiver until the receiver emits 3 beeps indicating the reset

## Scan and follow prompts for multilingual instruction options and Smart Fan FAQs:



Spanish

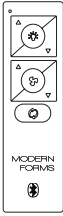
For detailed Instructions and Smart Home Device Integration



French

## 13. Accessories

personalize your experience

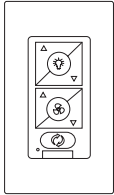


### Bluetooth Remote Control

Dims light to 1% | ON/OFF

6 fan speeds

F-RCBT-WT White

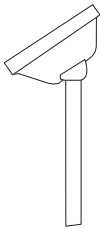


### Bluetooth Wall Control

Dims light to 1% | ON/OFF

6 fan speeds | Sold separately

F-WCBT-WT White



## Sloped Ceiling Kit

Designed to accommodate buildings with steeper sloped ceilings up to 45° or 12/12 pitch

XF-SCK

---



## Coupler

Connects two downrods

XF-I

---



## Downrod

XF-12 - 12" Downrod | XF-18 - 18" Downrod

XF-24 - 24" Downrod | XF-36 - 36" Downrod

XF-48 - 48" Downrod | XF-60 - 60" Downrod

XF-72 - 72" Downrod

## 14. Troubleshooting

### My Fan Will Not Start

1. Check main and branch circuit fuses or circuit breakers.
2. Check line wire connections to fan and switch wire connections in the switch housings.



**CAUTION:** Make sure the main power is turned off!

### My Fan is Noisy

1. Allow for 24-hour break-in period. Most noises associated with a new fan will go away during this time period.
2. Check to make sure the screws which attached to the blades (and blade arms when applicable) are tight.
3. Check to make sure all screws in motor housing are snug.
4. Make sure light cover is tightened and/or glass is snug.
5. Tighten the hanger bracket screws and make sure the outlet box is secured.
6. Your wire connectors may be rattling against the fan's canopy.
7. Make sure you have a cUL/UL approved outlet box and it is installed correctly.

### My Fan is Wobbling

1. Tighten the setscrews in the downrod.
2. Make sure your hanger ball assembly is locked into place in the hanger bracket.
3. Tighten the hanger bracket screws to the outlet box.
4. Make sure the fan blades are properly aligned and securely fastened to the motor housing assembly/blade arms.
5. Make sure the gaps between the blades are evenly distributed or make sure you are using an approved cUL/UL listed outlet box and it is installed correctly.



## **My Fan is not producing Enough Air Movement**

If possible, please consider using a longer than included downrod.

## **My remote or wall control is not controlling my fan**

Verify that the fan is receiving power by power cycling the fan.

To do this:

1. Cut power to the fan via standard On/Off wall switch, or the breaker if standard wall switch is not applicable.
2. Wait at least 10 seconds, and then restore power.
3. The fan will power on in Pairing mode for 3 minutes.
4. Press and hold  and  buttons on wall control for 10-15 seconds.
5. When the LED indicator remains solid green, and three (2) audible beeps are heard, the pairing process is complete.

## **I don't see my fan's WiFi (ModernFormFan\_XXXXXX) in my phone's list of available WiFi networks.**

1. If your fan had been previously paired the Wi-Fi radio will be off.
2. To turn on Wi-Fi, press and hold fan speed up and fan speed down buttons on your remote control or wall control for 6 seconds.
3. The fan will beep and you will see its Wi-Fi network available for connection.

## **My home Wi-Fi network is not showing up in the app's list during setup.**

1. Your fan supports connection with 2.4GHz 802.11b/g/n networks. Confirm your network is compatible by checking your router settings or contact your router manufacturer.
2. Make sure your network's SSID is not hidden.
3. Your fan does not support 5 GHz network connectivity connection.

## 14. Troubleshooting cont.

### My Fan failed to join the Wi-Fi network

1. Make sure you entered the correct Wi-Fi password and your mobile device is connected to the same network you attempted to connect the fan.
2. Make sure you are within the router manufacturer's specified range. If all of these steps have failed - please power cycle your fan and router and retry.

### What is power cycling and how do I power cycle my fan?

Power cycling is the act of temporarily removing the power source for your fan. If the fan is powered through a wall switch, turn the switch off for 10 seconds and back on. Alternately, you can use the circuit breaker the fan is connected to by toggling it off for 10 seconds and back on. If your fan is wired through a Modern Forms wall control (P/N: F-WCBT-WT) pull the Air-Gap Switch on your wall control, wait 10 seconds, and re-insert.

### What is Adaptive Learning?

Adaptive learning is an exclusive feature that allows your fan to learn your daily/weekly habits and automatically recommend scheduled activity through the Modern Forms app. This feature can be toggled on or off.

### What is Breeze Mode?

Breeze Mode mimics the natural ebb and flow of winds in nature by fluctuating your fan's speed.



## **What is Pairing?**

Pairing is the process of connecting your Modern Forms remote or wall control to your fan. Your fan comes pre-paired to your included remote control. However, if you want additional controls for your fan or if you're replacing a control, refer to the pairing and unpairing section of the instructions.

## **What is a Factory Reset?**

Factory Reset is a restore of the fans original settings. This can be achieved from the control or by pressing and holding the small button on the receiver until you hear three audible beeps or by holding down the fan toggle, light toggle, and season toggle buttons on your paired remote or wall control for 10 seconds.

**NOTE:** You will need to re-pair your remote or wall controls to the fan following a factory reset. A factory reset will also disconnect the fan from your home Wi-Fi network and will require you to add the fan using the Modern Forms Smart Fans app.

**Please refer to the FAQ section of our app for further guidance. For all other questions, please contact our dedicated Fan Support specialists. Contact information can be found at the front of the instructions.**

# Certificate of Warranty

## Congratulations on your new purchase.

Your new Modern Forms Smart Fan is engineered to make life easier every day. Modern Forms creates future-forward fans and luminaires that provide energy savings and outstanding efficiency. Our dedication to doing things the right way goes beyond our love for amazing products. Modern Forms Smart Fans™ warrants any of its outdoor rated ceiling fan products that they are to be free from defects in material and workmanship for a period of one (1) year from the date of purchase; outdoor painted finishes are warranted for two (2) years; LED light modules and electronic components are warranted for five (5) years; DC motors and stainless steel finishes are warranted for lifetime under normal use to the first non-dealer purchaser.

Although Modern Forms uses the best available materials and does extensive testing for finish endurance, some fading or chalking may occur and is considered normal. For coastal locations, some corrosion and/or deterioration is considered "normal wear" in this environment. Therefore, any finish claim due to coastal environment conditions is not applicable to our warranty. If a product is defective, all efforts will be made to correct the problem in the field. If the problem cannot be resolved, an RGA number will be issued. Modern Forms obligation is expressly limited to repair or replacement, without charge, at the Modern Forms factory after prior written return authorization has been granted. Modern Forms obligation under this warranty shall not extend beyond the distributor's initial purchase price of the product and accordingly any consequential damages or labor costs arising out of a defect are expressly excluded. This warranty shall not apply to products that have been altered, improperly installed, mishandled or misused. Notice of a defect in writing must be received by Modern Forms within five (5) years from the date of purchase (or according period of time as outlined by material). Excluded from warranty are any 3rd party component which carries its own manufacturer's warranty. Note: Modern Forms product warranty applies only to purchases from authorized Modern Forms distributors. THERE ARE NO WARRANTIES WHICH EXTEND BEYOND THE DESCRIPTION ON THE FACE HEREOF INCLUDING WARRANTIES OF MERCHANTABILITY AND FITNESS FOR A PARTICULAR PURPOSE. The Bluetooth® word mark and logos are registered trademarks owned by Bluetooth SIG, Inc. and any use of such marks by Wangs Alliance Corporation is under license. Other trademarks and trade names are those of their respective owners.

## Felicidades por tu nueva compra.

Su nuevo ventilador moderno de formas modernas está diseñado para facilitarle la vida cada día. Modern Forms crea ventiladores y luminarias para el futuro que proporcionan ahorros de energía y eficiencia excepcional. Nuestra dedicación a hacer las cosas de la manera correcta va más allá de nuestro amor por los productos asombrosos. Modern Forms garantiza a cualquiera de sus productos para ventiladores de techo con clasificación exterior que estén libres de defectos en materiales y mano de obra por un período de un (1) año desde el fecha de compra; Los módulos de luz LED están garantizados por cinco (5) años; Los motores de CC y los acabados de acero inoxidable están garantizados de por vida bajo el uso normal para el primer comprador no distribuidor.

Aunque Modern Forms utiliza los mejores materiales disponibles y realiza pruebas exhaustivas para la resistencia del acabado, puede producirse cierto desvanecimiento o parroteo y se considera normal. Para las ubicaciones costeras, cierta corrosión y / o deterioro se considera "desgaste normal" en este entorno. Por lo tanto, cualquier reclamación de acabado debido a las condiciones del entorno costero no se aplica a nuestra garantía. Si un producto es defectuoso, se harán todos los esfuerzos para corregirlo. El problema en el campo. Si el problema no se puede resolver, se emitirá un número RGA. La obligación de Modern Forms se limita expresamente a la reparación o el reemplazo, sin cargo, en la fábrica de Modern Forms después de que se haya otorgado una autorización previa por escrito. La obligación de Formas modernas bajo esta garantía no se extenderá más allá del precio de compra inicial del producto por

parte del distribuidor y, en consecuencia, cualquier daño consecencial o costo de mano de obra que surja de un defecto se excluye expresamente. Esta garantía no se aplicará a los productos que hayan sido alterados, instalados incorrectamente, mal manejados o mal utilizados. La notificación de un defecto por escrito debe ser recibida por Modern Forms dentro de los cinco (5) años a partir de la fecha de compra (o según el período de tiempo indicado en el material). Quedan excluidos de la garantía todos los componentes de terceros que tengan la garantía de su propio fabricante. Nota: la garantía del producto Modern Forms se aplica solo a las compras de los distribuidores autorizados de Modern Forms. **NO HAY GARANTÍAS QUE SE EXTIENDAN MÁS ALLÁ DE LA DESCRIPCIÓN DE SU CARACTERÍSTICA, INCLUIDAS LAS GARANTÍAS DE COMERCIABILIDAD Y ADECUACIÓN PARA UN PROPÓSITO PARTICULAR.** La marca denominativa y los logotipos Bluetooth® son marcas registradas propiedad de Bluetooth SIG, Inc. y cualquier uso de dichas marcas por parte de Wangs Alliance Corporation se realiza bajo licencia. Otras marcas comerciales y nombres comerciales pertenecen a sus respectivos propietarios.

## Félicitations pour votre nouvel achat.

Votre nouveau ventilateur intelligent Modern Forms est conçu pour vous simplifier la vie au quotidien. Modern Forms crée des ventilateurs et des luminaires d'avant-garde qui permettent des économies d'énergie et une efficacité exceptionnelle. Notre engagement à bien faire les choses va au-delà de notre amour pour les produits étonnants. Modern Forms garantit à tous ses produits pour ventilateurs de plafond pour extérieur qu'ils ne doivent présenter aucun défaut de matériau ou de fabrication pendant un (1) an date d'achat; Les modules d'éclairage à LED sont garantis pendant cinq (5) ans; Les moteurs à courant continu et les finis en acier inoxydable sont garantis à vie dans les conditions normales d'utilisation par le premier acheteur non revendeur.

Bien que Modern Forms utilise les meilleurs matériaux disponibles et effectue des tests approfondis pour l'endurance de la finition, des décolorations ou des craies peuvent se produire et sont considérés comme normaux. Pour les zones côtières, une certaine corrosion et / ou détérioration est considérée comme une «usure normale» dans cet environnement. Par conséquent, toute réclamation liée à la finition en raison des conditions de l'environnement côtier ne s'applique pas à notre garantie. Si un produit est défectueux, tous les efforts seront déployés pour y remédier. Le problème sur le terrain. Si le problème ne peut pas être résolu, un numéro RGA sera attribué. L'obligation de Modern Forms est expressément limitée à la réparation ou au remplacement, sans frais, dans l'usine de Modern Forms après autorisation écrite préalable du retour. L'obligation de Modern Forms au titre de cette garantie ne s'étendra pas au-delà du prix d'achat initial du produit par le distributeur. En conséquence, tout dommage indirect ou tout coût de main-d'œuvre résultant d'un défaut est expressément exclu. Cette garantie ne s'applique pas aux produits modifiés, mal installés, manipulés ou utilisés de manière inappropriée. Modern Forms doit recevoir un avis écrit du défaut dans un délai de cinq (5) ans à compter de la date d'achat (ou selon la période précisée dans les informations fournies). Sont exclus de la garantie tout composant tiers bénéficiant de la garantie du fabricant. Remarque: la garantie des produits Modern Forms ne s'applique qu'aux achats auprès des distributeurs agréés Modern Forms. **IL N'Y A AUCUNE GARANTIE QUI ALLAIT AU-DELÀ DE LA DESCRIPTION FACE AU PRESENT, INCLUANT LES GARANTIES DE QUALITÉ MARCHANDE ET D'ADÉQUATION À UN USAGE PARTICULIER.** La marque et les logos Bluetooth® sont des marques déposées appartenant à Bluetooth SIG, Inc. et toute utilisation de ces marques par Wangs Alliance Corporation est sous licence. Les autres marques et noms commerciaux appartiennent à leurs propriétaires respectifs.

