



Project:

Location:

Fixture Type:

Catalog Number:

**AVAILABLE FINISHES:**



# Ophelia

WS-72210

**PRODUCT DESCRIPTION**

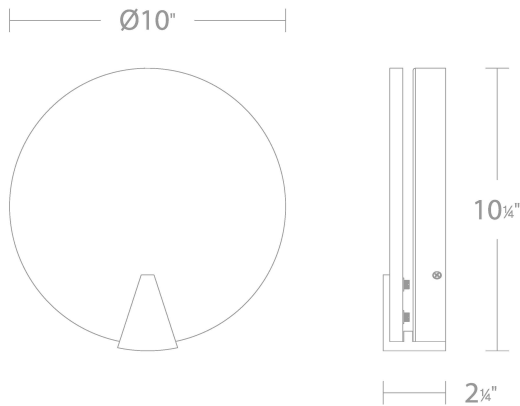
Add luxurious character with this curvaceous scone. Enjoy rich tones and natural veining textures of authentic Spanish alabaster. The clean spun aluminum profile reflects a minimalist architectural in aged brass or antique nickel.

**FEATURES**

- ACLED driverless technology
- Ambient illumination
- First class quality Spanish alabaster
- Natural alabaster with unique veining in each crafted piece

**SPECIFICATIONS**

<b>Rated Life</b>	54000 Hours
<b>Standards</b>	ETL, cETL,Damp Location Listed, Title 24 JA8: 2019 Compliant
<b>Input</b>	120 VAC, 50/60Hz
<b>Dimming</b>	ELV: 100-5%, TRIAC: 100-5%
<b>Mounting</b>	Can be mounted on wall in all orientations
<b>Color Temp</b>	3000K
<b>CRI</b>	90
<b>Construction</b>	Aluminum spun frame with alabaster shade and glass diffuser



WS-72210

Model & Size	Color Temp	Finish	LED Watts	LED Lumens	Delivered Lumens
WS-72210 10"	3000K	AB Aged Brass AN Antique Nickel	26.8W	2677	881

Example: **WS-72210-AN**

For custom requests please contact [customs@modernforms.com](mailto:customs@modernforms.com)