



Project: \_\_\_\_\_

Location: \_\_\_\_\_

Fixture Type: \_\_\_\_\_

Catalog Number: \_\_\_\_\_

**AVAILABLE FINISHES:**



# Hugo

PD-20324

**PRODUCT DESCRIPTION**

Shapely sophistication. An elongated trumpet is accented by a concave etched diffuser that projects a perfect spectrum of warm illumination.

**FEATURES**

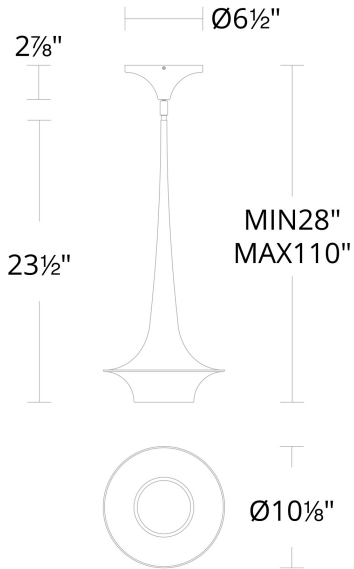
- ACLED driverless technology
- Three 12" and one 6" down rods included (additional sold separately)
- Conical canopy with minimal hardware
- Slope ceiling adaptable. Hang straight swivels up to 90 degrees

**SPECIFICATIONS**

Rated Life	54000 Hours
Standards	ETL, cETL, Damp Location Listed, Title 24 JA8: 2019 Compliant
Input	120V AC, 50/60Hz
Dimming	ELV
Color Temp	3000K
CRI	90
Construction	Aluminum spun body with glass diffuser

**REPLACEMENT PARTS**

- RPL-ROD-IN06-BK-01 - 6" Rod - BK finish
- RPL-ROD-IN06-BN2-1 - 6" Rod - BN finish
- RPL-ROD-IN12-BK-01 - 12" Rod - BK finish
- RPL-ROD-IN12-BN2-1 - 12" Rod - BN finish



PD-20324

Model & Size	Color Temp	Finish	LED Watts	LED Lumens	Delivered Lumens
PD-20324 24"	3000K 3000K	BK Black BN Brushed Nickel	22.5W 22.5W	1800 1800	408 408

Example: **PD-20324-BN**

For custom requests please contact [customs@modernforms.com](mailto:customs@modernforms.com)