



Project: _____

Location: _____

Fixture Type: _____

Catalog Number: _____

AVAILABLE FINISHES:



Double Bubble

WS-82015

PRODUCT DESCRIPTION

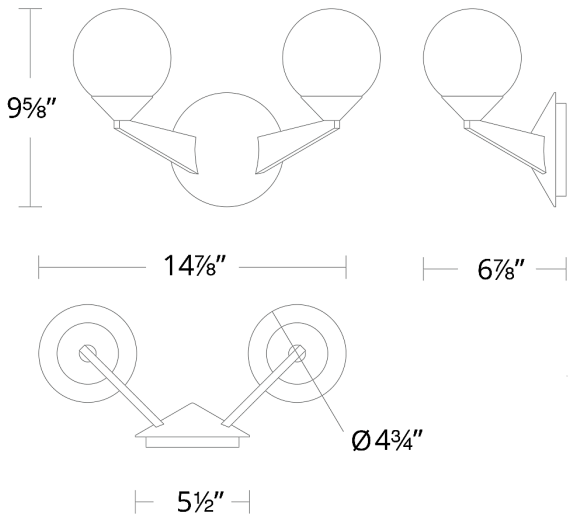
When it comes to luxurious lighting, two spheres can be better than one. These twin luminous crystal ball diffusers provide beautiful balanced light around your interior walls. Mount upwards or downwards depending on your desired look and application.

FEATURES

- Driver concealed within the canopy
- Light is evenly diffused through laser etched crystal ball

SPECIFICATIONS

Rated Life	50000 Hours
Standards	ETL, cETL,Damp Location Listed,Title 24 JA8: 2019 Compliant
Input	120/277V,50/60Hz
Dimming	ELV: 100-10%,TRIAC: 100-10%
Color Temp	3000K
CRI	90
Construction	Metal frame with laser etch glass shade



WS-82014

Model & Size	Color Temp	Finish	LED Watts	LED Lumens	Delivered Lumens
WS-82015 15"	3000K	AB Aged Brass BK Black SN Satin Nickel	8W	768	730

Example: **WS-82015-SN**

For custom requests please contact customs@modernforms.com