



Project: _____

Location: _____

Fixture Type: _____

Catalog Number: _____

AVAILABLE FINISHES:



Double Bubble

PD-82044

PRODUCT DESCRIPTION

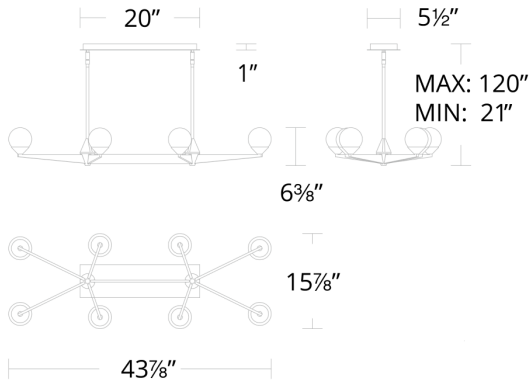
A captivating linear chandelier adorned with geometrically concentric spheres brings sophisticated elegance and intrigue to any room. This showstopping statement piece deploys laser-etched spherical shades embraced by bobeches and arms, providing alluring ambience and aesthetic that delights.

FEATURES

- Driver concealed within the canopy
- Light is evenly diffused through laser etched crystal ball
- Six 12" and two 6" down rods included (additional sold separately)
- Slope ceiling adaptable. Hang straight swivels up to 90 degrees
- Slide-on rectangular canopy with minimal hardware

SPECIFICATIONS

Rated Life	50000 Hours
Standards	ETL, cETL, Damp Location Listed, Title 24 JA8: 2019 Compliant
Input	120-277V, 50/60Hz
Dimming	ELV, 0-10V, TRIAC
Color Temp	3000K
CRI	90
Construction	Metal body with laser etched glass diffuser



PD-82044

REPLACEMENT PARTS

- RPL-GLA-82024 - Replacement Glass
- RPL-ROD-IN06-AB -
- RPL-ROD-IN06-BK-01 -
- RPL-ROD-IN06-SN -
- RPL-ROD-IN12-AB -
- RPL-ROD-IN12-BK-01 -
- RPL-ROD-IN12-SN -

Model & Size	Color Temp	Finish	LED Watts	LED Lumens	Delivered Lumens
PD-82044 44"	3000K	AB Aged Brass BK Black SN Satin Nickel	31W	2880	2736

Example: **PD-82044-SN**

For custom requests please contact customs@modernforms.com