



Project: \_\_\_\_\_

Location: \_\_\_\_\_

Fixture Type: \_\_\_\_\_

Catalog Number: \_\_\_\_\_

**AVAILABLE FINISHES:**



# Atlantis

PD-39928

**PRODUCT DESCRIPTION**

The rhythm of moonlight on the sea is captured within the molded glass lens floating inside the frame. Integral LEDs backlight the glass for a stunning luminous effect, like reflections of moonlight on waves.

**FEATURES**

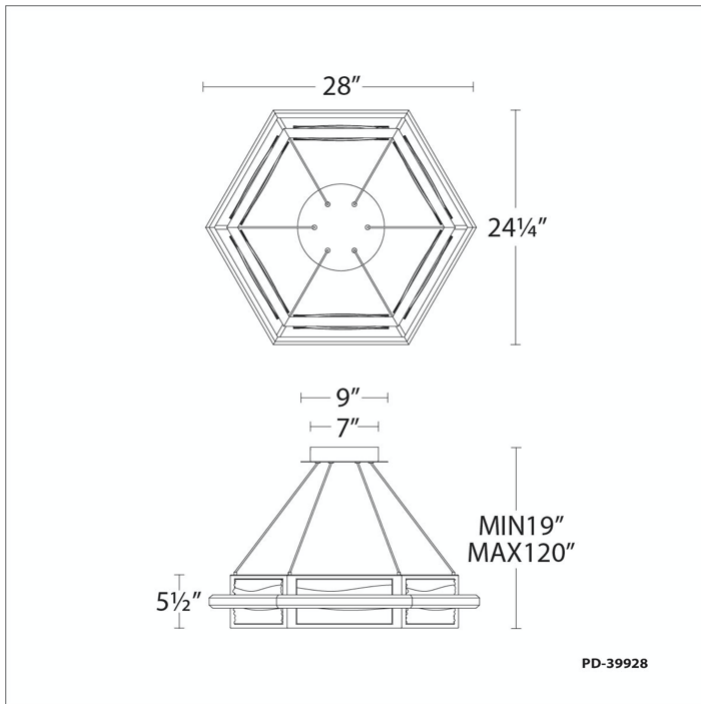
- Driver concealed within the canopy
- Cast art glass
- Spin-on round canopy with minimal hardware
- Can be mounted on a sloped ceiling
- Thin powered aircraft cables provide an ultra clean look for adjustable suspension height

**SPECIFICATIONS**

Rated Life	50000 Hours
Standards	ETL, cETL, Damp Location Listed, 2019 Compliant
Input	120-277V, 50/60Hz
Dimming	ELV, 0-10V, TRIAC
Color Temp	3000K
CRI	90
Construction	Steel hardware, cast art glass

**REPLACEMENT PARTS**

RPL-GLA-39928 - Glass



Model & Size	Color Temp	Finish	LED Watts	LED Lumens	Delivered Lumens
PD-39928 28"	3000K	AN Antique Nickel	43.7W	3000	1312

Example: **PD-39928-AN**

For custom requests please contact [customs@modernforms.com](mailto:customs@modernforms.com)