



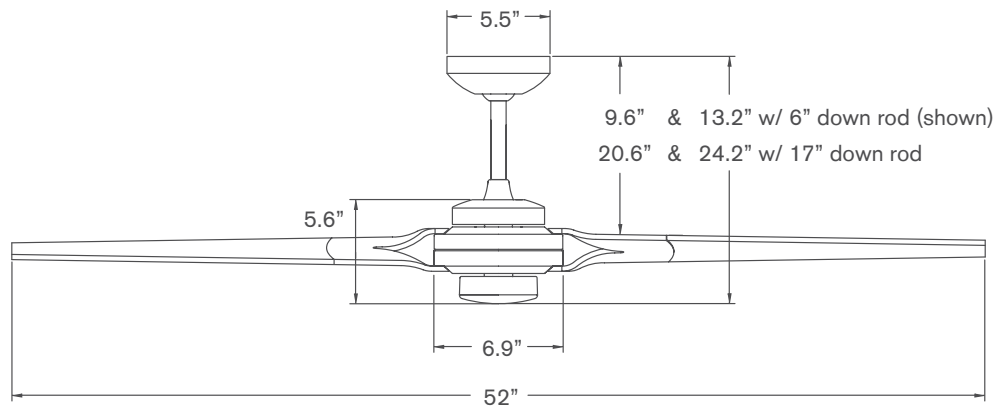
Torsion 52



Torsion 52 > Configure item number from attributes below.

#TOR	Finish	Blade Span	Blade Color	Light Option	Control Option
-	-	-	-	-	-
▲	▲	▲	▲	▲	▲
	GW Gloss White	52 52" Span	WH White	NL No Light	001 Fan Speed Only
	BN Bright Nickel		NK Nickel	271 17W LED	002 Fan & Light – 3 Wire
	DB Dark Bronze		BK Black	272 20W LED	003 Handheld Remote
			GY Graywash		004 Fan & Light – 2 Wire
			MP Maple		005 Wall/Remote Combo
			MG Mahogany		
			WW Whitewash		

Dimensions



Also available in 62" blade span.

Specifications

- 172mm x 20mm AC motor with reverse switch on fan body
- Die cast aluminum and stamped steel construction
- 52" span, plywood blades
- Includes 6" and 17" down rods (longer options also available)
- Optional LED light (#271): 17W, 90 CRI, 3000K, 1530 lumens (dimmable) behind an opal glass diffuser; adds 1.5" to length of fan; CA Title 24, JA8-2019 compliant
- Optional LED light (#272): 20W, 90 CRI, 3000K, 1800 lumens (dimmable) behind opal glass diffuser; adds 1" to length of fan; CA Title 24, JA8-2019 compliant
- Slope compatible up to 33°; adapter available for slopes up to 45°
- Designed by Dave Ellis
- ETL listed for dry and damp locations
- Weight: 15 lbs (6.8 kgs)

Performance Data

LOWEST SPEED

RPM: 75
CFM: 1,523
Watts: 10.68
CFM/W: 143

HIGHEST SPEED

RPM: 225
CFM: 5,103
Watts: 72.30
CFM/W: 71

Energy Guide Data

Average Energy Use
44 Watts

Average Airflow
3,425 CFM

Yearly Energy Cost
\$12

Average Efficiency
78 CFM/Watt

Energy Guide Data represents weighted averages of low speed and high speed performance, assuming typical use (excluding light). For more information, visit www.modernfan.com.

Torsion 52

Gloss White with Mahogany Blades (no light)

Bright Nickel with Whitewash Blades and 271 LED Light

Dark Bronze with Maple Blades and 272 LED Light



FAN FINISHES

Gloss White Bright Nickel Dark Bronze



PLYWOOD BLADES

Plywood blades are constructed of furniture grade veneers, painted or stained as shown here. Natural variations may exist in woodgrains and finishes.

White Nickel Black Graywash Maple Mahogany Whitewash



TORSION FAN CONTROLS

Selection of a control option is made at time of order and incorporated into the fan item number (except #FC-009A and #FC-009B which are sold as accessory items).



#FC-001
Fan Speed Only Control
(no light)

For a single AC fan, providing four speeds. Not intended for a fan with light. *Note: Not compatible with remote control.*



#FC-002
Fan & Light Control-3 Wire

For a single AC fan with LED light, providing four speeds and dimming function. Requires three wires from switch location to fan. *Note: Not compatible with remote control.*



#FC-003-LED
Handheld Remote RF Control

Designed for independent operation a single AC fan or AC fan with LED light, providing three speeds and full range dimming (or "on/off" switching), using only one circuit (two wires). Includes RF handset, receiver, battery and comes with a wall mounting bracket for handset.



#FC-004-LED Fan & Light RF Control-2 Wire

Designed for independent operation of a single AC fan or AC fan with LED light, providing three speeds and full range dimming (or "on/off" switching), using only one circuit (two wires). Includes RF wall control (with master power switch), switch plate and receiver.



#FC-005-LED
Wall/Remote Combo RF Control-2 Wire

Designed for independent operation of a single AC fan or AC fan with LED light, providing three speeds and full range dimming (or "on/off" switching), using only one circuit (two wires). Includes RF handset, RF wall control (with master power switch), switch plate and receiver.



#FC-009A / #FC-009B
Multi-fan Speed Controls for AC Fans
(no lights)

Sold as an accessory item, providing three speeds for multiple AC fans on a single switch leg. FC-009A for 2-3 fans FC-009B for 3-6 fans *Note: Not compatible with remote control. Control of fan lights must be accounted for separately with owner provided control on separate switch leg.*

DOWN RODS

The Torsion ships standard with 6" and 17" down rods. Use the following part numbers to order accessory down rods.

#DRD	Finish	Length
-	-	-
▲		▲
GW	Gloss White	12 12"
BN	Bright Nickel	24 24"
DB	Dark Bronze	36 36"
		48 48"
		60 60"
		72 72"

SLOPE ADAPTER

The Torsion will accommodate ceiling slopes up to 33 degrees. The #045 slope adapter can accommodate slopes exceeding 33 degrees and up to 45 degrees.

#045	Finish
-	-
▲	
GW	Gloss White
BN	Bright Nickel
DB	Dark Bronze