



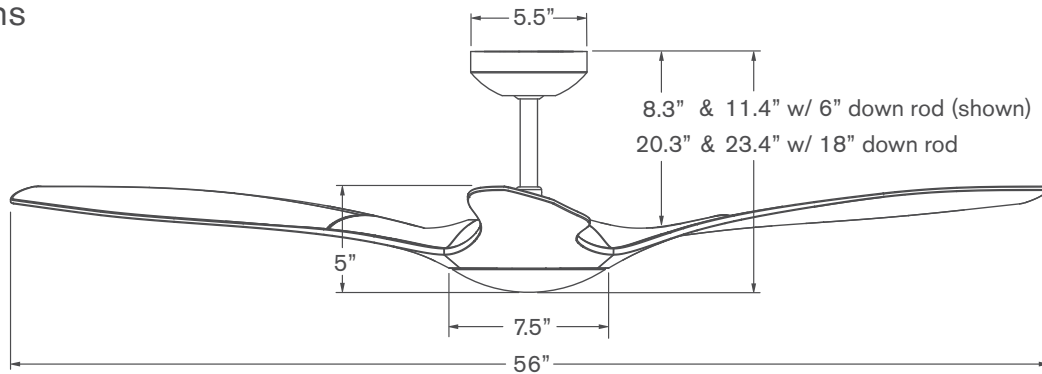
# IC/Brisa DC



IC/Brisa DC > Configure item number from attributes below.

#BRI	Finish	Blade Span	Light Option	Control Option
-	-	-	-	-
▲	▲	▲	▲	▲
<b>MW</b>	Matte White	<b>56</b> 56" Span	<b>NL</b> No Light	<b>WC</b> Wall Control
<b>MB</b>	Matte Black		<b>670</b> 17W LED	<b>RC</b> Remote Control
<b>BNTL</b>	Bright Nickel/Translucent			<b>CC</b> Wall/Remote Combo
<b>SBMW</b>	Satin Brass/ Matte White			
<b>SBMB</b>	Satin Brass/ Matte Black			

## Dimensions



## Specifications

- 6-speed, reversible DC motor
- Die cast aluminum and injection molded ABS construction
- 56" span, injection molded ABS blades
- Includes 6" and 18" down rods (longer options also available)
- Optional LED light: 17W, 90 CRI, 3000K, 1530 lumens (dimnable) behind opal glass diffuser; adds 0.75" to length of fan; CA Title 24, JAB-2019 compliant
- Slope compatible up to 20°; adapter available for slopes up to 45°
- Designed by Guto Indio da Costa
- ETL listed for dry and damp locations
- Weight: 12.0 lbs (5.44 kgs)

## Performance Data

### LOWEST SPEED

**RPM:** 50  
**CFM:** 1,522  
**Watts:** 2.54  
**CFM/W:** 599

### HIGHEST SPEED

**RPM:** 185  
**CFM:** 5,584  
**Watts:** 29.89  
**CFM/W:** 187

## Energy Guide Data

**Average Energy Use**  
19 Watts

**Average Airflow**  
3,680 CFM

**Yearly Energy Cost**  
\$5

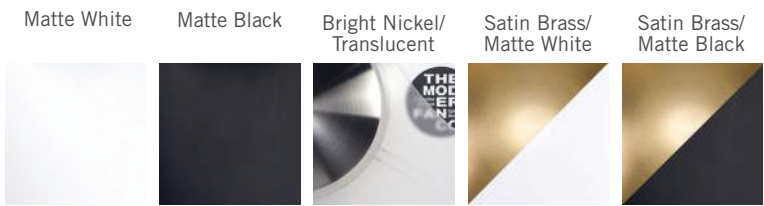
**Average Efficiency**  
198 CFM/W

*Energy Guide Data represents weighted averages of low speed and high speed performance, assuming typical use (excluding light). For more information, visit [www.modernfan.com](http://www.modernfan.com).*

# IC/Brisa DC



## FAN FINISHES



## IC/BRISA DC CONTROLS

IC/Brisa DC controls use RF transmission to a receiving unit included with each fan, providing six speeds, reversing and light function (on/off or dimming). Control selection is made at time of order and incorporated into fan item number. Controls utilize dedicated (unique) RF channels to avoid interference with other ceiling fans installed nearby. The wall control (if ordered) also includes a master power switch.

### Wall Control (WC)



### Remote Control (RC)



### Wall/Remote Combo (CC)



\* The IC/Brisa DC must use one of the above control options. Third party fan controls are not compatible with this product. The Remote Control (RC) can be used in combination with a standard power switch (on-off) in wall box.

\*\* Wall control unit is designed for operation of a single fan/fan light only. For multiple units on a single switch leg, the remote control option can be used if the fans are within suitable range. Contact Modern Fan customer support with questions or for additional guidance.

\*\*\* To replace lost or damaged control components or to add secondary control to existing control sets (e.g. to add a handset to an existing wall control system), contact Modern Fan Co. customer support for ordering guidance.

## DOWN RODS

The IC/Brisa DC ships standard with 6" and 18" down rods. Use the following part numbers to order accessory down rods.

#DRD	Finish	Length
-	-	-
▲		▲
<b>MW</b>	Matte White	12 12"
<b>MB</b>	Matte Black	24 24"
<b>BN</b>	Bright Nickel	36 36"
<b>SB</b>	Satin Brass	48 48"
		60 60"
		72 72"

## SLOPE ADAPTER

The IC/Brisa DC will accommodate ceiling slopes up to 20 degrees. The #045 slope adapter can accommodate slopes exceeding 20 degrees and up to 45 degrees.

#045	Finish
-	-
▲	
<b>MW</b>	Matte White
<b>MB</b>	Matte Black
<b>BN</b>	Bright Nickel
<b>SB</b>	Satin Brass