



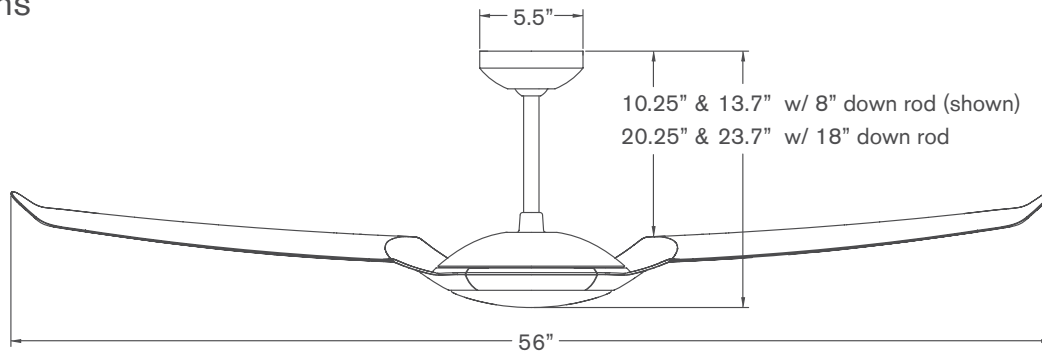
IC/Air3 DC



IC/Air3 DC > Configure item number from attributes below.

| #IC3 | Finish | Blade Span | Blade Color | Light Option | Control Option |
|------|---|-------------------------|---|---|--|
| - | - | - | - | - | - |
| ▲ | GW Gloss White BN Bright Nickel DB Dark Bronze | ▲ 56 56" Span | ▲ WH White NK Nickel DK Dark EB Ebony GY Graywash MP Maple MG Mahogany WW Whitewash | ▲ NL No Light 570 20W LED | ▲ WC Wall Control RC Remote Control CC Wall/Remote Combo |

Dimensions



Specifications

- 6-speed, reversible DC motor
- Die cast aluminum construction
- 56" span, injection-molded ABS blades (solid color or surface printed woodgrain)
- Includes 8" and 18" down rods (longer options also available)
- Optional LED light: 20W, 90 CRI, 3000K, 1800 lumens (dimmable) behind opal glass diffuser; adds .5" to length of fan; CA Title 24, JAB-2019 compliant
- Slope compatible up to 33°; adapter available for slopes up to 45°
- Designed by Guto Indio da Costa
- ETL listed for dry and damp locations
- Weight: 15 lbs (6.8 kgs)

Performance Data

LOWEST SPEED

RPM: 70
CFM: 1,914
Watts: 3.47
CFM/W: 552

HIGHEST SPEED

RPM: 170
CFM: 5,705
Watts: 28.17
CFM/W: 203

Energy Guide Data

Average Energy Use
19 Watts

Average Airflow
3,928 CFM

Yearly Energy Cost
\$5

Average Efficiency
166 CFM/Watt

Energy Guide Data represents weighted averages of low speed and high speed performance, assuming typical use (excluding light). For more information, visit www.modernfan.com.

IC/Air3 DC

Gloss White with Whitewash Blades (no light)

Bright Nickel with Mahogany Blades (no light)

Dark Bronze with Ebony Blades and 570 LED Light

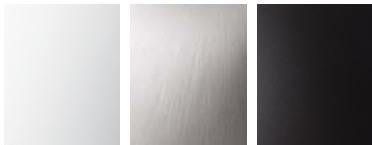


FAN FINISHES

Gloss White

Bright Nickel

Dark Bronze



INJECTION MOLDED BLADES

Injection molded blades are constructed of ABS plastic and painted with solid colors or surface-printed with woodgrain detailing as shown here.

White

Nickel

Dark

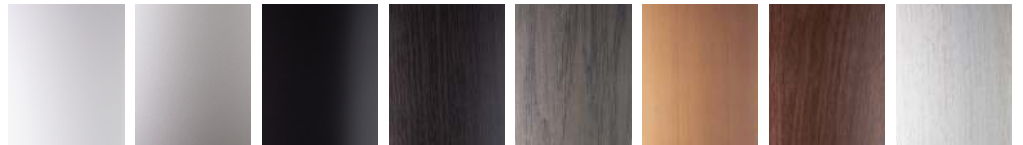
Ebony

Graywash

Maple

Mahogany

Whitewash



IC/AIR3 DC CONTROLS

Our DC fan controls use RF transmission to a receiving unit included with each fan, providing six speeds, reversing and light function (on/off or dimming). Includes universal or dedicated channel selection and master power switch on wall control (if ordered). Control selection is made at time of order and incorporated into fan item number.

Wall Control (WC)



Remote Control (RC)



Wall/Remote Combo (CC)



* The IC/Air3 DC fan must use one of the above control options. Third party fan controls are not compatible with this product. The Remote Control (RC) can be used in combination with a standard power switch (on-off) in wall box.

** For ordering guidance to replace lost or damaged control components or to add secondary control to existing control sets (e.g. to add a handset to an existing wall control system), contact Modern Fan Co. customer support.

DOWN RODS

The IC/Air3 ships standard with 8" and 18" down rods. Use the following part numbers to order accessory down rods.

| #DRD | Finish | Length | |
|-----------|---------------|--------|-----|
| | | - | - |
| ▲ | | | |
| GW | Gloss White | 12 | 12" |
| BN | Bright Nickel | 24 | 24" |
| DB | Dark Bronze | 36 | 36" |
| | | 48 | 48" |
| | | 60 | 60" |
| | | 72 | 72" |

SLOPE ADAPTER

The IC/Air3 will accommodate ceiling slopes up to 33 degrees. The #045 slope adapter can accommodate slopes exceeding 33 degrees and up to 45 degrees.

| #045 | Finish |
|-----------|---------------|
| | |
| ▲ | |
| GW | Gloss White |
| BN | Bright Nickel |
| DB | Dark Bronze |