



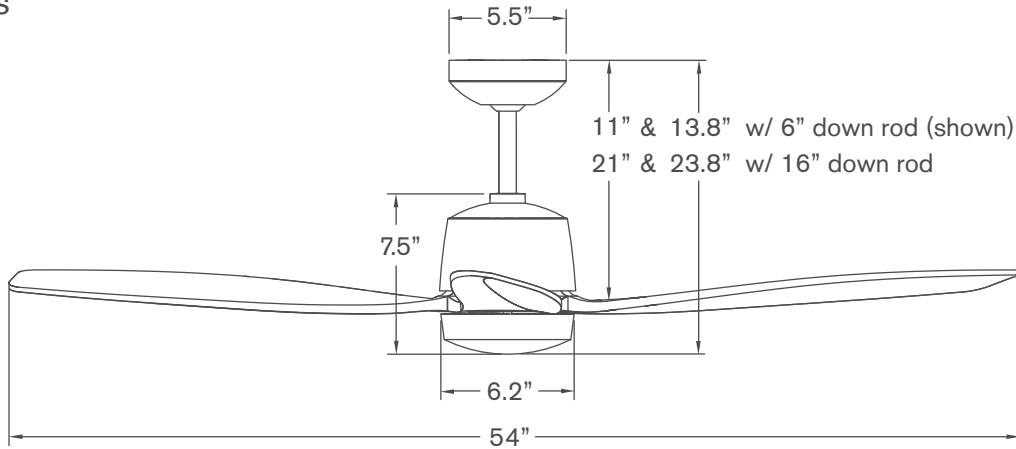
Arbor DC



Arbor DC > Configure item number from attributes below.

#ARB	Finish	Blade Span	Blade Color	Light Option	Control Option
-	-	-	-	-	-
▲	▲	▲	▲	▲	▲
GW	Gloss White	54 54" Span	EB Ebony	NL No Light	WC Wall Control
GT	Graphite		GY Graywash	870 17W LED	RC Remote Control
DB	Dark Bronze		MP Maple		CC Wall/Remote Combo
			MG Mahogany		
			WW Whitewash		

Dimensions



Specifications

- 6-speed, reversible DC motor
- Die cast aluminum construction
- 54" span, solid wood blades
- Includes 6" and 16" down rods (longer options also available)
- Optional LED light: 17W, 90 CRI, 3000K, 1530 lumens (dimnable) behind opal glass diffuser; adds 0.75" to length of fan; CA Title 24, JA8-2019 compliant
- Slope compatible up to 33°; adapter available for slopes up to 45°
- Designed by Dave Ellis
- ETL listed for dry and damp locations
- Weight: 13.0 lbs (5.9 kgs)

Performance Data

LOWEST SPEED

RPM: 55
CFM: 1,416
Watts: 2.56
CFM/W: 553

HIGHEST SPEED

RPM: 205
CFM: 5,312
Watts: 30.68
CFM/W: 173

Energy Guide Data

Average Energy Use
20 Watts

Average Airflow
3,486 CFM

Yearly Energy Cost
\$5

Average Efficiency
179 CFM/Watt

Energy Guide Data represents weighted averages of low speed and high speed performance, assuming typical use (excluding light). For more information, visit www.modernfan.com.

Arbor DC

Gloss White with Whitewash Blades (no light)



Graphite with Maple Blades (no light)



Dark Bronze with Ebony Blades and 870 LED Light



FAN FINISHES

Gloss White Graphite Dark Bronze



SOLID WOOD BLADES

Solid wood blades are CNC milled from a light-weight and stable, plantation grown Paulownia, then hand-finished as shown here.

Ebony Graywash Maple Mahogany Whitewash



ARBOR DC CONTROLS

Arbor DC controls use RF transmission to a receiving unit included with each fan, providing six speeds, reversing and light function (on/off or dimming). Control selection is made at time of order and incorporated into fan item number. Controls utilize dedicated (unique) RF channels to avoid interference with other ceiling fans installed nearby. The wall control (if ordered) also includes a master power switch.

Wall Control (WC)



Remote Control (RC)



Wall/Remote Combo (CC)



* The Arbor DC must use one of the above control options. Third party fan controls are not compatible with this product. The Remote Control (RC) can be used in combination with a standard power switch (on-off) in wall box.

** Wall control unit is designed for operation of a single fan/fan light only. For multiple units on a single switch leg, the remote control option can be used if the fans are within suitable range. Contact Modern Fan customer support with questions or for additional guidance.

*** To replace lost or damaged control components or to add secondary control to existing control sets (e.g. to add a handset to an existing wall control system), contact Modern Fan Co. customer support for ordering guidance.

DOWN RODS

The Arbor DC ships standard with 6" and 16" down rods. Use the following part numbers to order accessory down rods.

#DRD	Finish	Length
-	-	-
▲		▲
GW	Gloss White	12 12"
GT	Graphite	24 24"
DB	Dark Bronze	36 36"
		48 48"
		60 60"
		72 72"

SLOPE ADAPTER

The Arbor DC will accommodate ceiling slopes up to 33 degrees. The #045 slope adapter can accommodate slopes exceeding 33 degrees and up to 45 degrees.

#045	Finish
-	-
▲	
GW	Gloss White
GT	Graphite
DB	Dark Bronze