

# INSTALLATION INSTRUCTIONS

Item#1040-677/701 New. 12/02/2019)

**READ AND SAVE THESE INSTRUCTIONS**

**WARNING! SHUT POWER OFF AT FUSE OR CIRCUIT BREAKER.**

**AVERTISSEMENT! COUPER LE COURANT AU NIVEAU DES FUSIBLES OU DU DISJONCTEUR.**

## MOUNTING THE FIXTURE (Fig. 1)

1. Shut off power at the fuse box or circuit breaker box and remove the old fixture including the mounting hardware.
2. Carefully unpack your new fixture and lay out all the parts in a clear area. Take care not to misplace any small parts necessary for installation.
3. Thread the nipple (E) into the crossbar (C) until snug. Note: The length of the nipple (E) into the crossbar (C) may be adjusted if necessary.
4. Use the lock washer (B) and hex nut (A) to secure the nipple (E) into the crossbar (C).
5. Take this crossbar assembly (C) and mount it to ceiling outlet box with mounting screws (D) (Size: #8-32N\*L0.5"). The side of crossbar marked with "GND" must face out.

## CONNECTING THE WIRES (Fig. 2)

6. At this point, connect the electrical wires as shown in figure 2, making sure that all wire connectors are secured. If your outlet has a ground wire (green or bare copper), connect the fixture's ground wire to it. Otherwise, connect the fixture's ground wire directly to the crossbar using the green screw provided.
7. Tuck the wire connectors neatly into the ceiling Junction Box and then raise the canopy all the way to the ceiling.
8. Place the canopy (F) over the nipple (E), and secure the canopy (F) against the ceiling using knurled cap (G).

## COMPLETING THE INSTALLATION (Fig.1)

9. Install (4) four candelabra base bulbs (H) up to 60 watts each or CFL or LED equivalent (not included) in accordance with the fixture specification—**DO NOT EXCEED THE MAXIMUM WATTAGE RATING! (NE PAS DEPASSER LA PUISSANCE NOMINALE MAXIMALE!)**

Your installation is now complete. Return power to the junction box and test the fixture.

**Note: Illustration (Fig. 1) on this manual is for installation purposes only. It may or may not be identical to the fixture purchased.**

Fig.1

Set# A-010

- Crossbar
- Ground screw
- Mounting screw\*2

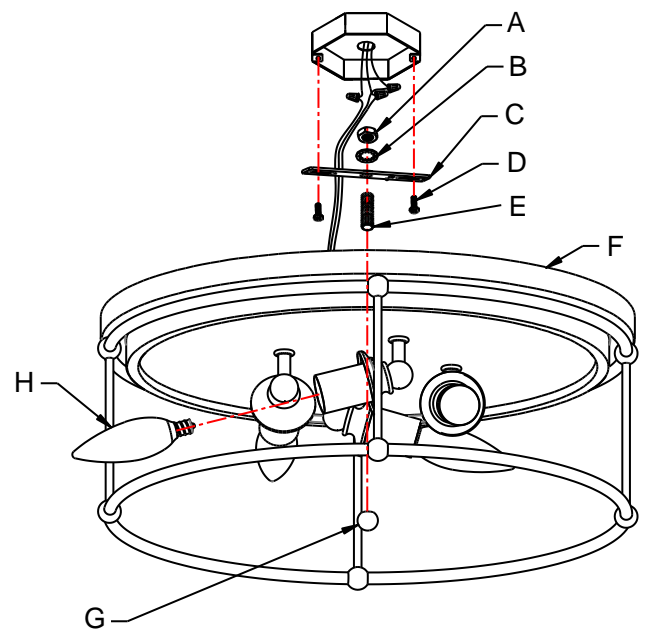


Fig. 2

