

INSTALLATION INSTRUCTIONS

Item#1047-677/701 (New. 11/19/2019)

READ AND SAVE THESE INSTRUCTIONS

WARNING! SHUT POWER OFF AT FUSE OR CIRCUIT BREAKER.
AVERTISSEMENT! COUPER LE COURANT AU NIVEAU DES FUSIBLES OU DU DISJONCTEUR.

ASSEMBLING THE FIXTURE (Fig. 1 & Fig. 4)

1. Shut off the power at the fuse box or circuit breaker. If necessary, remove old fixture, including mounting hardware.
2. Carefully remove the fixture from the carton and check that all parts are included as shown in the illustration.
3. Attach fixture loop (A) by screwing to the nipple (B).

HANGING THE FIXTURE (Fig. 2)

4. Thread the nipple into ceiling loop until snug.
5. Thread the other end of nipple with ceiling loop attached into crossbar until snug.
6. Place lock washer over the end of nipple protruding through crossbar and thread hex nut onto nipple until tight.
7. Take this crossbar assembly and mount to ceiling junction box with mounting screws (Size: #8-32N*L0.5"). Tighten mounting screws securely with screwdriver. The side of crossbar marked with "GND" must face out.
8. Determine correct number of links needed for desired hanging height.
9. Attach the chain to the fixture loop (A) using quick link. Quick link must be completely threaded closed when installed. By measuring determine correct number of links needed for proper hanging height. Use a pair of chain pliers to open one end link of the chain and discard un-wanted chain. Slip the lock collar and canopy over the chain.
10. Use a pair of chain pliers to open the other end link of the chain and lift the fixture to attach to the ceiling loop, close the chain link.
11. Lace the fixture's wires through the chain links and pull until tight. Feed the fixture wires through the ceiling loop and nipple and pull until tight.

CONNECTING THE WIRE (Fig. 3)

12. At this point, connect the electrical wire as shown in figure 3, making sure that all wire connectors are secured. If your outlet has a ground wire (green or bare copper), connect the fixtures ground wire to it. Otherwise, connect the fixture ground wire directly to the crossbar using the Green Screw provided.
13. Tuck these wire connections neatly into the ceiling junction box and then raise the canopy all the way to the ceiling. Raise the Loop Collar thread onto the ceiling loop protruding through canopy.

FINISHING THE FIXTURE (Fig.1)

14. Place the candle covers (D) over the sockets (C).
15. Install (5) five candelabra base bulbs (E) up to 60 watts each or CFL or LED equivalent (not included) in accordance with the fixture specification — **DO NOT EXCEED THE MAXIMUM WATTAGE RATING! (NE PAS DEPASSER LA PUISSANCE NOMINALE MAXIMALE!)**.

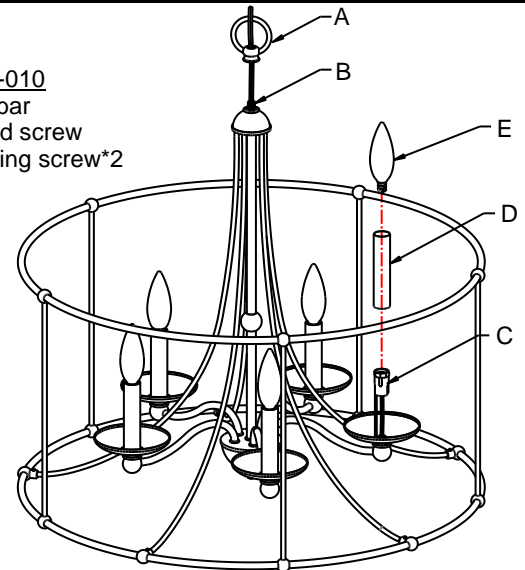
Your installation is now complete. Return power to the junction box and test the fixture.

Note: Illustration (Fig. 1) on this manual is for installation purposes only. It may or may not be identical to the fixture purchased.

Fig. 1

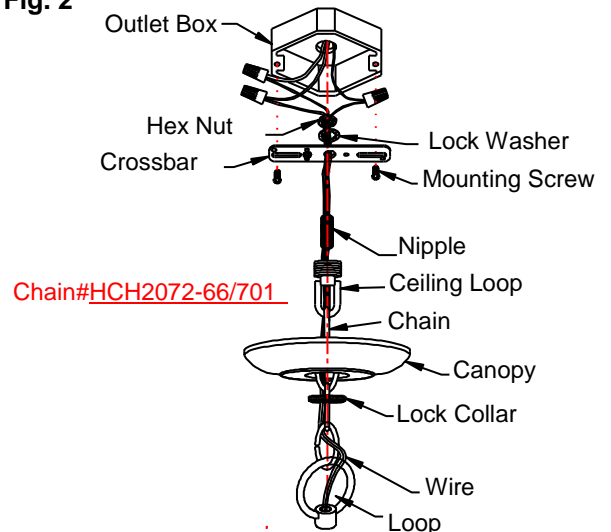
Set# A-010

- Crossbar
- Ground screw
- Mounting screw*2



Candle cover# CCV21103P-66/701

Fig. 2



Chain# HCH2072-66/701

Fig. 3

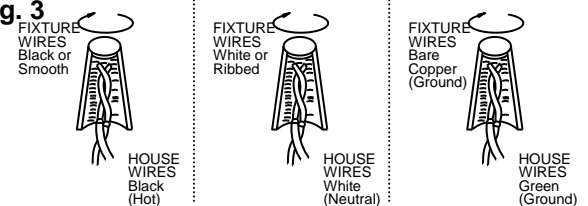
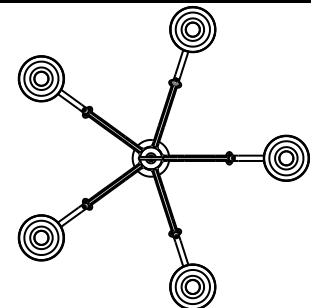


Fig. 4



Notice: It is important to use proper chain pliers (not included) To OPEN and CLOSE the chain included with this fixture. Do not open them with other tools that may twist or stress the chain links. It is important to use proper chain pliers like the ones shown in the diagram.

