

# INSTALLATION INSTRUCTIONS

Item#4942 (New. 05/10/2013)

## READ AND SAVE THESE INSTRUCTIONS

**WARNING! SHUT POWER OFF AT FUSE OR CIRCUIT BREAKER.**

**AVERTISSEMENT! COUPER LE COURANT AU NIVEAU DES FUSIBLES OU DU DISJONCTEUR.**

### HANGING THE FIXTURE (Fig. 1)

1. Shut off the power at the fuse box or circuit breaker. If necessary, remove old fixture, including mounting hardware.
2. Carefully remove the fixture from the carton and check that all parts are included as shown in the illustration.
3. Attach upper column (L) to socket assembly (F) by screwing onto nipple (M).
4. Attach the mounting plate (A) to the junction box with mounting screws (B) (Size: #8-32N\*L0.5"). The side of the mounting plate marked "GND" and two convex points must face out.

### CONNECTING THE WIRES (Fig. 2)

5. At this point, connect the electrical wire as shown in figure 2, making sure that all wire connectors are secured. If your outlet has a ground wire (green or bare copper), connect the fixtures ground wire to it. Otherwise, connect the fixture ground wire directly to the circular strap using the green screw provided.

### COMPLETING THE INSTALLATION (Fig. 1)

6. Install the light bulbs (not included) in accordance with fixture specifications. **(DO NOT EXCEED THE MAXIMUM WATTAGE RATING!). (NE PAS DEPASSER LA PUISSANCE NOMINALE MAXIMALE!)**
7. Thread the nipple (I) to socket assembly (F) and tighten it with hex nut (N).
8. Place the glass panels (G) on the inner of the metal frame (H) and secure them by using clips.
9. Secure socket assembly (F) to metal frame (H) with short screw (E).
10. Attach glass shield (J) and bottom cover (K) over the nipple (I) on the bottom of the socket assembly (F). Then secure glass shield (J) and bottom cover (K) on metal frame (H) with finial (L).

Your installation is now complete. Return power to the junction box and test the fixture.

**Note: Illustration (Fig. 1) on this manual is for installation purposes only. It may or may not be identical to the fixture purchased.**

Fig. 1

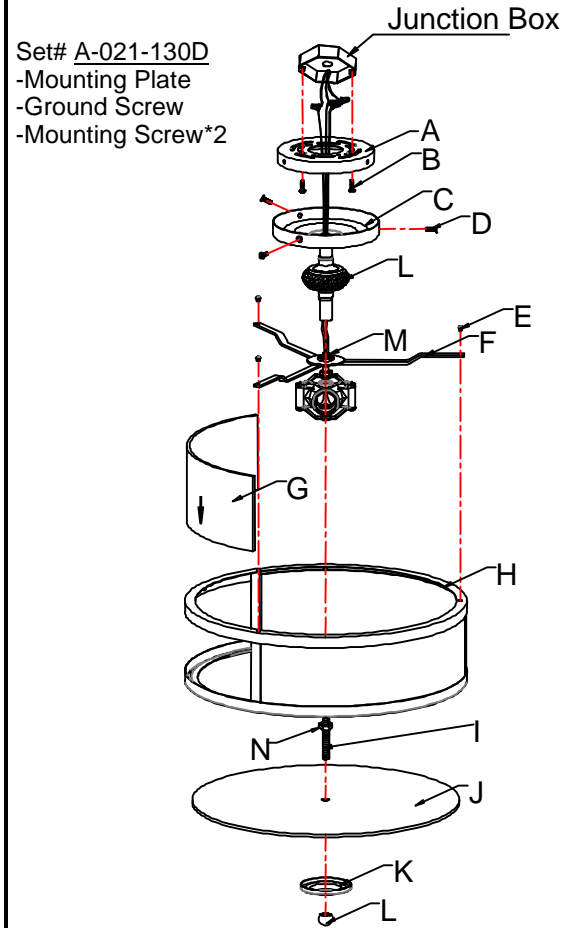
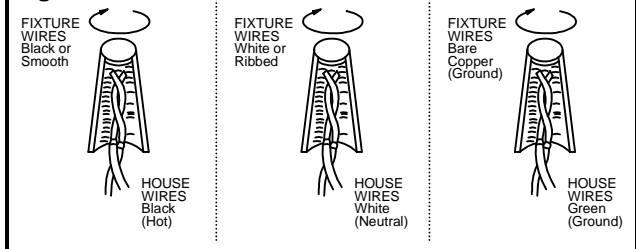


Fig. 2



**IMPORTANT: FIXTURE SHOULD BE INSTALLED BY A QUALIFIED ELECTRICIAN TO ENSURE PROPER WIRING AND INSTALLATION.**

