

INSTALLATION INSTRUCTIONS

For item#2869-66A (New. 2022/05/26)

READ AND SAVE THESE INSTRUCTIONS

WARNING! SHUT POWER OFF AT FUSE OR CIRCUIT BREAKER.

AVERTISSEMENT! COUPER LE COURANT AU NIVEAU DES FUSIBLES OU DU DISJONCTEUR.

PREPARING FOR INSTALLATION (Fig. 1)

1. Shut off power at the fuse box or circuit breaker box and remove the old fixture including the mounting hardware.
2. Carefully unpack your new fixture and lay out all the parts in a clean area. Take care not to misplace any small parts necessary for installation.
3. Secure rod (J) onto all thread (I) on the fixture body.
4. Determine the desired hanging height and thread rods (F1, F2 and F3) to all thread on rod (J). Screw loop (H1) onto rod (F1). Pass the wires carefully through each rod as you assemble.
5. Attach quick link (G) to loop (H1) and loop (H2) on canopy (E). Carefully feed the wire through loop (H1), quick link (G), and loop (H2).
6. Loosening screws (K) to remove mounting plate (C) from canopy (E). Position mounting plate (C) on the ceiling and mark location of the two mounting holes for plastic anchors (A). Drill the appropriate size holes on the ceiling and insert plastic anchors (A).
7. Attach mounting plate (C) to the junction box, not included, using mounting screws (B) (Size: #8-32N*L0.5"). The side of the mounting plate (C) marked "GND" must face out.
8. Secure mounting plate (C) by screwing wood screws (D) through the holes on mounting plate (C) into plastic anchors (A).
9. The support cable is provided to support the weight of the fixture while wiring. Align the fixture to mounting plate (C) and attach hook (P) on the end of support cable (O) and a slot located on mounting plate (C). Carefully allow the support cable (O) to support the weight of the fixture while wiring.

CONNECTING THE WIRES (Fig. 2)

10. Connect the electrical wires as shown in figure 2, making sure that all wire connectors are secured. If your junction box has a ground wire (green or bare copper), connect the fixture's ground wire to it. Otherwise, connect the fixture's ground wire directly to the mounting plate (C) using the green screw provided.
11. Tuck the wire connectors neatly into the junction box.

COMPLETING THE INSTALLATION (Fig. 1)

12. Place canopy (E) over mounting plate (C) and secure with screws (K).
13. Place candle covers (N) over sockets (L).
14. Install (10) ten candelabra base bulbs (M) up to 60 watts each or CFL or LED equivalent (not included) in accordance with the fixture specification—**DO NOT EXCEED THE MAXIMUM WATTAGE RATING! (NE PAS DEPASSER LA PUISSANCE NOMINALE MAXIMALE!)**.

Your installation is now complete. Return power to the junction box and test the fixture.

Note: Illustration (Fig. 1) on this manual is for installation purposes only. It may or may not be identical to the fixture purchased.

Fig.

Set#A-021-432118
- Mounting Plate
- Ground Screw
- Mounting Screw*2

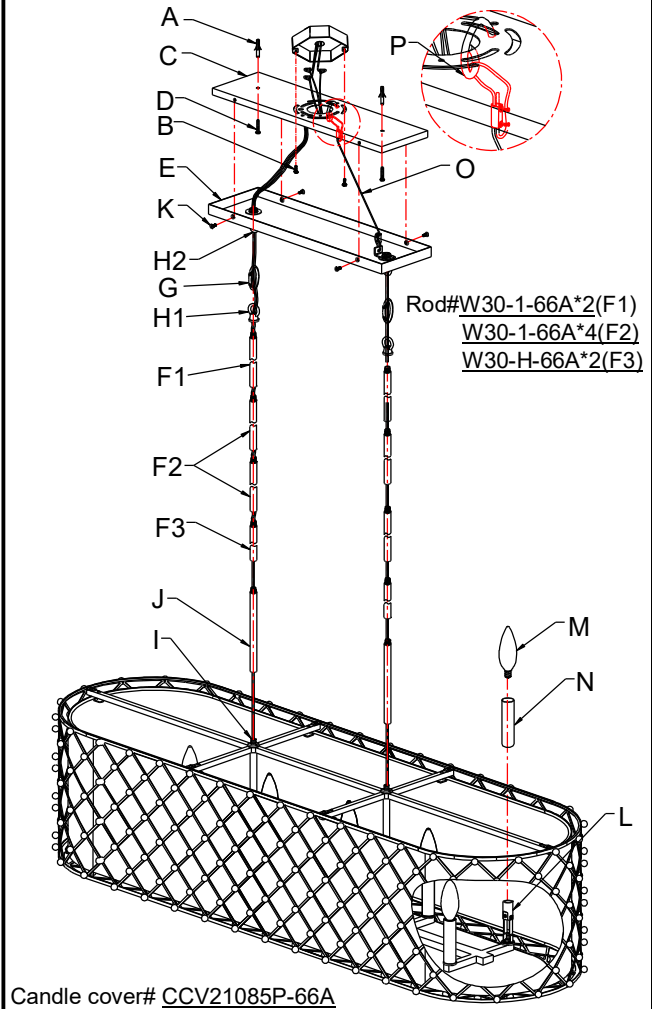


Fig. 2

