

INSTALLATION INSTRUCTIONS

Item#1089-613-L/1089-695-L (New. 03/18/2020)

READ AND SAVE THESE INSTRUCTIONS

WARNING! SHUT POWER OFF AT FUSE OR CIRCUIT BREAKER.

AVERTISSEMENT! COUPER LE COURANT AU NIVEAU DES FUSIBLES OU DU DISJONCTEUR.

HANGING THE FIXTURE (Fig. 1)

1. Shut off power at the fuse box or circuit breaker box and remove the old fixture including the mounting hardware.
2. Carefully unpack your new fixture and lay out all the parts in a clear area. Take care not to misplace any small parts necessary for installation.
3. Thread screws (A) into the pre-drilled holes in the circular strap (B) spaced the same distance apart as the holes in the canopy (D).
4. Attach the circular strap (B) to the Junction box using mounting screws (C) (Size: #8-32N*L0.5"). The side of the circular strap marked "GND" must face out.
5. Secure the rod and canopy assembly (F) onto the nipple (G) located on the top of fixture body.
6. The support cable is provided to support the weight of the fixture while wiring. Align the fixture to circular strap (B) and attach hook (M) on the end of support cable (N) into a slot located on circular strap (B). Carefully allow the support cable (N) to support the weight of the fixture while wiring (Fig.1).

CONNECTING THE WIRES (Fig. 2)

7. At this point, connect the fixture wires to the outlet box wires as shown in Fig. 2, making sure that all wire connectors are secured. If your outlet has a ground wire (green or bare copper), connect the fixture's ground wire to it. Otherwise, connect the fixture's ground wire directly to the circular strap (B) using the green screw provided.

COMPLETING THE INSTALLATION (Fig. 1)

8. Tuck the wire connectors neatly into the ceiling Junction Box and then raise the canopy all the way to the ceiling.
9. Thread canopy (D) into screws (A), and secure with knurled knobs (E).
10. Thread the center tube (I) to coupling (H) and tighten with hex nut (L).
11. Trough diffuser glass (J) into the center tube (I) and secure by using the finial (K).

Replacing LED module (Fig. 3)

The LED module can be replaced by a qualified electrician without cutting of wire and without damage to any decorative element to which the fixture is attached. See installation steps for more details (Fig 3.)

- a. Shut off the power.
- b. Remove knurled knobs (E) and fixture body from circular strap, disconnect the wire connectors, and place fixture body on a clean surface.
- c. Loosen the finial (K) and remove the glass diffuser (J).
- d. Loosen the screws (S) and remove the bushing (T) and glass shield (R).
- e. Press the button of the printed "L" quick connector on LED module (P) with screw driver (not included) to disconnected the black wire, and then disconnect the white wire from the printed "N" quick connector on LED module (P).
- f. Remove screws (Q). Carefully remove the LED module (P).
- g. Reverse steps b-f for installing the new LED module.

Your installation is now complete. Return power to the junction box and test the fixture.

Note: Illustration (Fig. 1) on this manual is for installation purposes only. It may or may not be identical to the fixture purchased.

Dimmable with ELV and/or LED compatible wall dimmer switches.

Fig. 1

Set# A-020-A
-Circular Strap
-Ground screw
-Mounting Screw*2

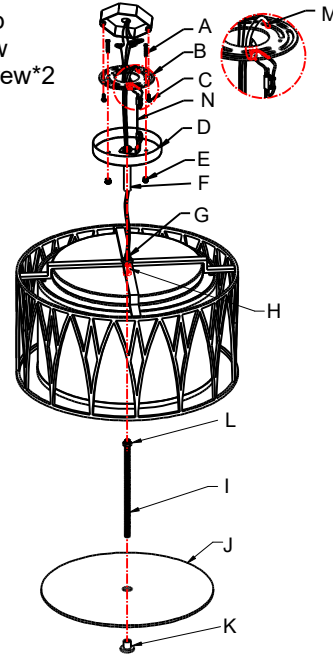


Fig. 2

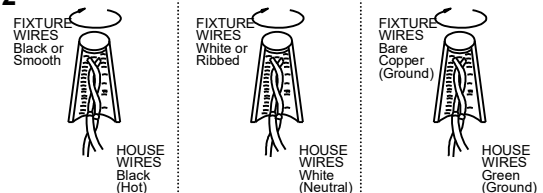


Fig. 3

