

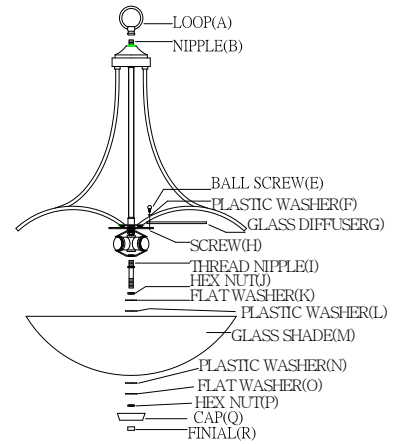
INSTALLATION INSTRUCTIONS FOR FIXTURE #4964

WARNING! SHUT POWER OFF AT FUSE OR CIRCUIT BREAKER.
AVERTISSEMENT! COUPER LE COURANT AU NIVEAU DES FUSIBLES OU DU DISJONCTEUR.

ASSEMBLING THE FIXTURE (FIG. 2)

1. Shut off power at the fuse box or circuit breaker. If necessary, remove the old fixture including the mounting hardware.
2. Carefully remove the new fixture from the packaging and check that all parts are included as shown in the illustration.
3. Thread the loop (A) tightly onto the nipple (B).
4. Adjust the fixture arms to their proper position;
5. Thread the nipple (I) into the bottom hole of the socket cluster and secure with hex nut.
6. Thread hex nut (J) over the nipple (I), then attach the flat washer (K), plastic washer (L), glass shade (M), plastic washer (N), flat washer (O) over the nipple (I) in that order, then secure with hex nut (P).
7. Insert the cap (Q) over the nipple (I), then secure with finial (R).
8. Assemble the glass diffuser (G) onto the fixture body using the plastic washer (F) and ball screws (E).
9. Install the light bulb in accordance with fixture's specifications. **(DO NOT EXCEED THE MAXIMUM WATTAGE RATING!) (NE PAS DEPASSER LA PUISSANCE NOMINALE MAXIMALE!).**

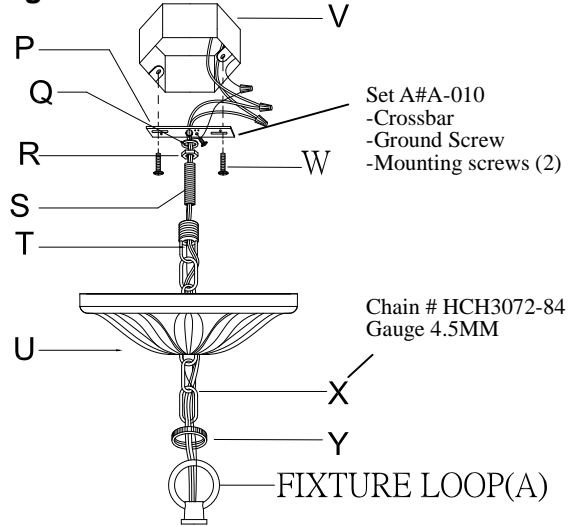
Fig. 2



MOUNTING THE FIXTURE (FIG.1)

- Thread the nipple (S) into the collar loop (T) until snug.
3. Thread the other end of nipple (S) into the cross bar (P) properly.
 4. Place lock washer (Q) over the end of nipple (S) protruding through cross bar (P) and thread hex nut (R) onto nipple (S) until tight.
 5. Take this crossbar assembly and mount to ceiling outlet box (V) using outlet box screw (W) tightly. The side of cross bar marked with "GND" must face out.
 6. Use proper chain pliers to open one end link of the chain and connect to the fixture loop (A). Close the link.
 7. By measuring, determine correct number of links needed for proper hanging height. Using pliers, disconnect and discard remaining chain.
 8. Lace the fixture wires through the chain (X).
 9. Slip collar ring (Y) over the chain (X), then do the same with canopy (U).
 10. Open the other end link of the chain (X) and connect to the collar loop (T). Close the link.
 11. Feed the fixture wires through the collar loop (T) and nipple (S) and pull until taut.

Fig. 1



CONNECTING THE WIRES (FIG. 3)

1. At this point, connect the electrical wires as shown in figure 3, making sure that all wire connectors are secured. If your outlet box has a ground wire (green or bare copper), connect the fixture's ground wire to it. Otherwise, connect the fixture's ground wire directly to the cross bar using the green screw provided.
2. Tuck these wires connectors neatly into the ceiling outlet box and raise the collar ring (Y) and thread onto collar loop (T) protruding through canopy.

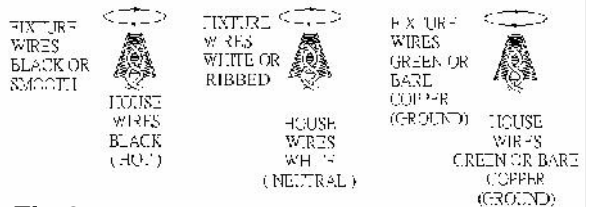


Fig.3

Your installation is now complete. Return power to the outlet box and test the fixture.