

INSTALLATION INSTRUCTIONS

Item#4911/#4912/#4913#/4914-653

READ AND SAVE THESE INSTRUCTIONS

WARNING! SHUT POWER OFF AT FUSE OR CIRCUIT BREAKER.

AVERTISSEMENT! COUPER LE COURANT AU NIVEAU DES FUSIBLES OU DU DISJONCTEUR.

MOUNTING THE FIXTURE (Fig.1)

1. Shut off the power at the fuse box or circuit breaker. If necessary, remove the old fixture, including the mounting hardware.
2. Carefully remove the fixture from the carton and check that all parts are included as shown in the illustration.
3. Attach the mounting plate (A) to the junction box using the mounting screws (B) (size: 8/32*25mm) . The side of the mounting plate marked "GND" must face out.

CONNECTING THE WIRES (Fig. 2)

4. At this point, connect the electrical wires as shown in Fig. 2, making sure that all wire connectors are secured. If your outlet box has a ground wire (green or bare copper), connect the fixture's ground wire to it. Otherwise, connect the fixture's ground wire directly to the mounting plate using the green screw provided. After wires are connected, tuck them carefully inside the junction box.

FINISHING THE INSTALLATION (Fig.1)

5. Position the back plate so that the mounting plate screws protruding from mounting plate line up with the holes in the back plate. Secure back plate in place with provided mounting screws ball nuts (C)
6. Install the glass(F) to the socket with the socket ring(E)
7. Install Medium base bulb (D) (NOT INCLUDED) up to 60 watts each or CFL or LED equivalent in accordance with the fixture specification. **(DO NOT EXCEED THE MAXIMUM WATTAGE RATING!).**
(NE PAS DEPASSER LA PUISSANCE NOMINALE MAXIMALE!)

Your installation is now complete. Return power and test the fixture.

Note: Illustration (Fig.1) on this manual is for installation purposes only. It may or may not be identical to the fixture purchased.

Fig. 1

Set# A-020
-Mounting Plate
-Ground Screw
-Mounting Screw*2

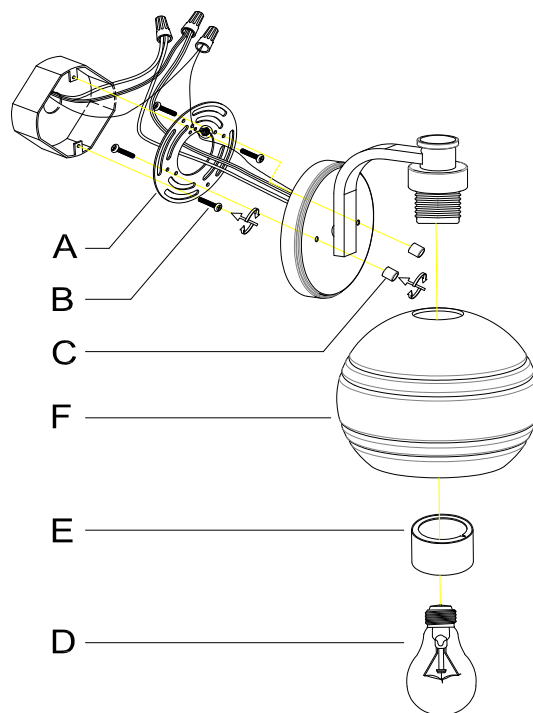


Fig. 2

