

INSTALLATION INSTRUCTIONS FOR FIXTURE

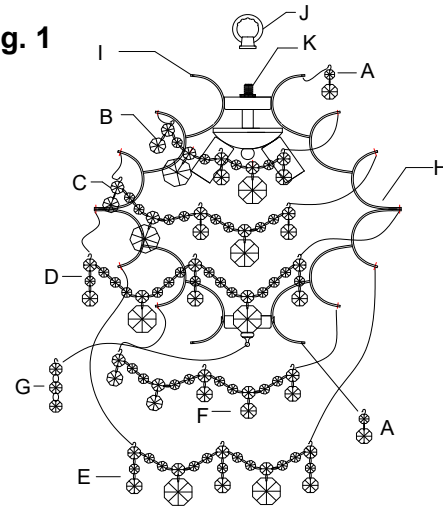
Item#3150-77 (New. 2021/03/31)

WARNING! SHUT POWER OFF AT FUSE OR CIRCUIT BREAKER.
AVERTISSEMENT! COUPER LE COURANT AU NIVEAU DES FUSIBLES OU DU DISJONCTEUR.

ASSEMBLING THE FIXTURE (FIG. 1)

1. Shut off power at the fuse box or circuit breaker box and remove the old fixture including the mounting hardware.
2. Shut off the power at the fuse box or circuit breaker. If necessary, remove the old fixture including the mounting hardware.
3. Thread fixture loop (J) onto all thread (K) until snug.
4. Install (3) three candelabra base bulbs up to 60 watts each or CFL or LED equivalent (not included) in accordance with the fixture specification. —**DO NOT EXCEED THE MAXIMUM WATTAGE RATING! (NE PAS DEPASSER LA PUISSANCE NOMINALE MAXIMALE!)**.

Fig. 1

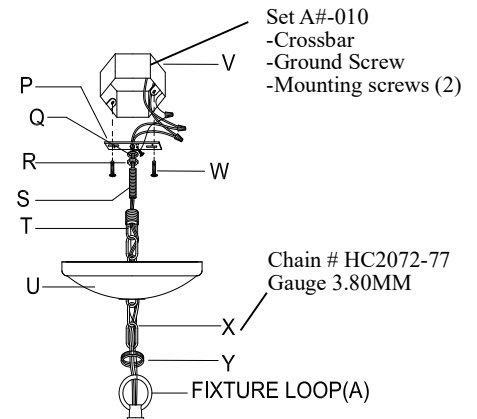


MOUNTING THE FIXTURE (FIG. 2)

1. Thread all thread (S) into collar loop (T) until snug.
2. Thread the other end of all thread (S) into crossbar (P).
3. Place lock washer (Q) and hex nut (R) over the end of all thread (S) protruding through crossbar (P), then thread hex nut (R) to all thread (S) until snug.
4. Take this crossbar assembly and mount to ceiling outlet box (V) using outlet box screws (W). The side of cross bar marked "GND" must face out.
5. Use proper chain pliers to open one end link of the chain and connect to the fixture loop (A). Close the link.
6. By measuring, determine the correct number of links needed for proper hanging height. Using the chain pliers, disconnect and discard the remaining chain.
7. Carefully lace the fixture wires through the chain (X).
8. Slip collar ring (Y) and canopy (U) over the chain (X).
9. Open the other end link of chain (X) and connect to collar loop (T). Close the link.
10. Feed the fixture wires through the collar loop (T) and all thread (S) and pull until tight.

Code	Glass#	QTY/per item
A	GC3150-A	20
B	GC3150-B	1
C	GC3150-C	1
D	GC3150-D	1
E	GC3150-E	1
F	GC3150-F	1
G	GC3150-G	1

Fig. 2



CONNECTING THE WIRE (See fig.3)

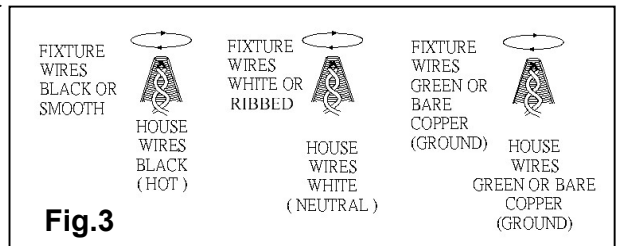
1. Connect the electrical wires as shown in Fig. 3, making sure that all wire connectors are secured. If your outlet box has a ground wire (green or bare copper), connect the fixture's ground wire to it. Otherwise, connect the fixture's ground wire directly to the crossbar (P) using the green screw provided.
2. Tuck wire connectors neatly into the ceiling outlet box. Raise canopy (U) over the crossbar assembly and secure with collar ring (Y).

HANG THE CRYSTAL DROPS (FIG. 1)

1. Hang crystal drops (A and G) onto fixture (I) as shown in Fig 1.
2. Hang crystal chains (B&C&D&E&F) onto fixture as shown in Fig 1.

Your installation is now complete. Return power to the outlet box and test the fixture.

Fig.3



Notice: It is important to use proper chain pliers (not included) to OPEN and CLOSE the chain included with this fixture. Do not open them with other tools that may twist or stress the chain links. It is important to use proper chain pliers like the ones shown in the diagram.



LA-3372E