

INSTALLATION INSTRUCTIONS

Item#3843-66A (New. 8/03/2020)

READ AND SAVE THESE INSTRUCTIONS

WARNING! SHUT POWER OFF AT FUSE OR CIRCUIT BREAKER.

AVERTISSEMENT! COUPER LE COURANT AU NIVEAU DES FUSIBLES OU DU DISJONCTEUR.

MOUNTING THE FIXTURE (Fig.1)

1. Shut off power at the fuse box or circuit breaker box and remove the old fixture including the mounting hardware.
2. Carefully unpack your new fixture and lay out all the parts in a clean area. Take care not to misplace any small parts necessary for installation.
3. Place the glass shade (M), plastic washer (K) and metal washer (I) over the all thread (J) of the bar (L), then secure with the finial (G).
4. Slide rods (N) through bar (L) and fixture body (O) and then secure with finials (P).
5. Thread two mounting screws (A) into pre-drilled hole in the circular strap (B). Spaced the same distance apart as the holes in the canopy (D).
6. Attach circular strap (B) to the junction box, not included, using two junction box screws (C) (Size: #8-32N*L0.5"). The side of the circular strap (B) marked "GND" must face out.
7. Secure tube assembly (E) to the all thread (H) on the fixture body.

CONNECTING THE WIRES (Fig. 2)

8. Connect the electrical wires as shown in Fig. 2, making sure that all wire connectors are secured. If your junction box has a ground wire (green or bare copper), connect the fixture's ground wire to it. Otherwise, connect the fixture's ground wire directly to the circular strap (B) using the green screw provided. After the wires are connected, tuck them carefully inside the junction box.

FINISHING THE INSTALLATION (Fig.1)

9. Align the canopy (D) onto the mounting screws (A) and secure with knurled knobs (F).
10. Installed (4) four candelabra base bulbs (Q) up to 60 watts each or CFL or LED equivalent (not included) in accordance with the fixture specification—**DO NOT EXCEED THE MAXIMUM WATTAGE RATING! (NE PAS DEPASSER LA PUISSANCE NOMINALE MAXIMALE!)**

Your installation is now complete. Return power and test the fixture.

Note: Illustration (Fig.1) on this manual is for installation purposes only. It may or may not be identical to the fixture purchased.

Fig. 1

Set# A-020
-Circular Strap
-Ground Screw
-Mounting Screw*2

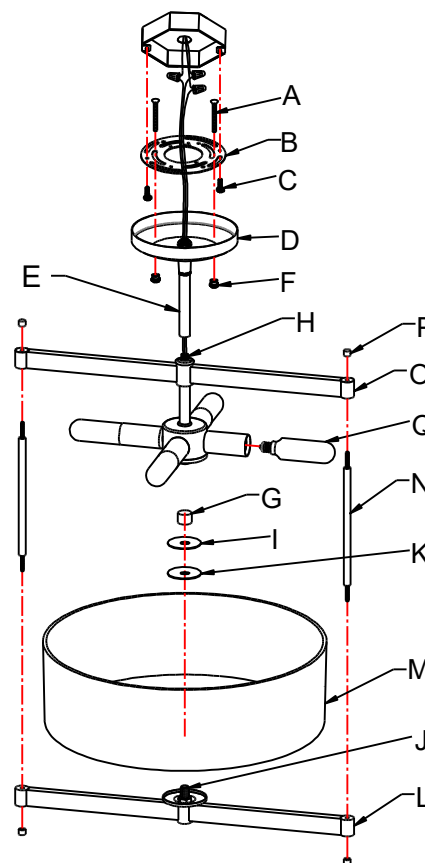


Fig. 2

