

# INSTALLATION INSTRUCTIONS

Item#3904-107 (Convertible Lamps for Pendant) (New. 2021/01/04)

## READ AND SAVE THESE INSTRUCTIONS

**WARNING! SHUT POWER OFF AT FUSE OR CIRCUIT BREAKER.**

**AVERTISSEMENT! COUPER LE COURANT AU NIVEAU DES FUSIBLES OU DU DISJONCTEUR.**

### PREPARATION (Fig. 1)

1. Shut of power at the fuse box or circuit breaker box and remove the old fixture including the mounting hardware.
2. Carefully unpack your new fixture and lay out all the parts in a clean area. Take care not to misplace any small parts necessary for installation.
3. Secure center rod (M) onto all thread (N). Place the cross (I) over all thread (H) on the center rod (M). Carefully pass the wires through center rod (M) during assembly.
4. Secure rod (G) onto all thread (H) on center tube (M).
5. Determine the desired hanging height and thread rods (F1, F2 and F3) to the all thread on rod (G). Screw canopy onto rod (F1). Pass the wires carefully through each rod as you assemble.
6. Attach mounting plate (A) to the junction box (not included) with mounting screws (B) (Size: #8-32N\*L0.5"). The side of the mounting plate (A) with "GND" marked on it and two convex points must face out.

### CONNECTING THE WIRES (Fig. 2)

7. Connect the electrical wires as shown in fig 2, making sure that all wire connectors are secured. If your junction box has a ground wire (green or bare copper), connect the fixture's ground wire to it. Otherwise, connect the fixture's ground wire directly to the mounting plate (A) using the green screw provided.
8. Tuck the wire connectors neatly into the junction box.

### COMPLETING THE INSTALLATION (Fig. 1)

9. Slide canopy (C) over the mounting plate (A) and secure with screws (D).
10. Place the candle covers (P) over the sockets (O).
11. Install (4) four candelabra base bulbs (Q) up to 60 watts each or CFL or LED equivalent (not included) in accordance with the fixture specification — **DO NOT EXCEED THE MAXIMUM WATTAGE RATING! (NE PAS DEPASSER LA PUISSANCE NOMINALE MAXIMALE!)**
12. Align the holes of the metal bars (J) to the cross (I) and secure with screws (K).
13. Slide metal ring (Y) over the bottom of glass shade (R) and connect metal bars (J) to the hooks (S) with loops (L).  
**Note: The loops (L) should be orientated in the same direction.**

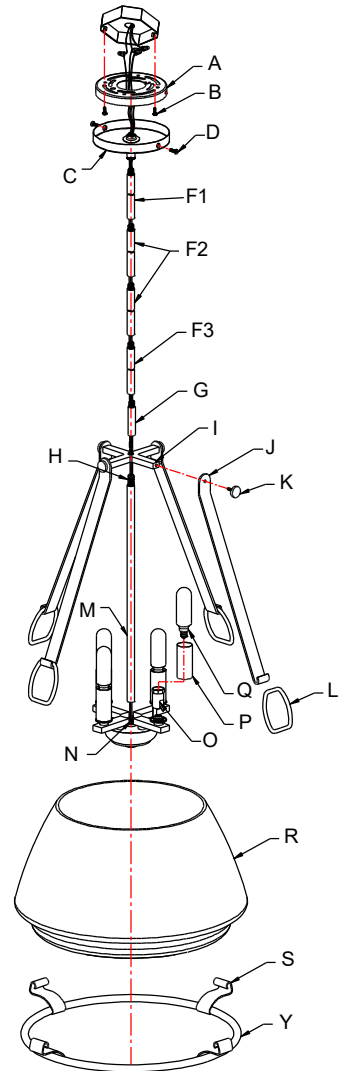
Your installation is now complete. Return power to the junction box and test the fixture.

**Note: Illustration (Fig. 1) on this manual is for installation purposes only. It may or may not be identical to the fixture purchased.**

**Fig. 1**

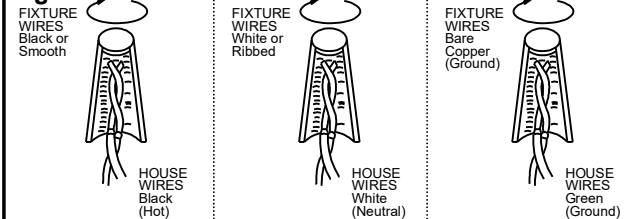
Set#A-021-118DH  
-Mounting plate  
-Ground screw  
-Mounting screw\*2

Rod# W30-1-172\*1(F1)  
W30-1-172\*2(F2)  
W30-H-172\*1(F3)



Candle cover# CCV24060P-107

**Fig. 2**



# INSTALLATION INSTRUCTIONS

Item#3904-107(Convertible Lamps for Semi Flush Mount) (New. 2021/01/04)

## READ AND SAVE THESE INSTRUCTIONS

**WARNING! SHUT POWER OFF AT FUSE OR CIRCUIT BREAKER.**

**AVERTISSEMENT! COUPER LE COURANT AU NIVEAU DES FUSIBLES OU DU DISJONCTEUR.**

### PREPARATION (Fig. 3)

1. Shut of power at the fuse box or circuit breaker box and remove the old fixture including the mounting hardware.
2. Carefully unpack your new fixture and lay out all the parts in a clean area. Take care not to misplace any small parts necessary for installation.
3. Secure center rod (M) onto all thread (N). Place the cross (I) over all thread (H) on the center rod (M). Carefully pass the wires through center rod (M) during assembly.
4. Secure rod (G) onto all thread (H) on center tube (M).
5. Screw canopy (C) onto rod (G). Pass the wires through each part as you go. Cut wire to leave 7" of wire after the canopy
6. Attach mounting plate (A) to the junction box (not included), with mounting screws (B) (Size: #8-32N\*L0.5"). The side of the mounting plate (A) with "GND" marked on it and two convex points must face out.

### CONNECTING THE WIRES (Fig. 2)

7. Connect the electrical wires as shown in fig 2, making sure that all wire connectors are secured. If your junction box has a ground wire (green or bare copper), connect the fixture's ground wire to it. Otherwise, connect the fixture's ground wire directly to the mounting plate (A) using the green screw provided.
8. Tuck the wire connectors neatly into the junction box.

### COMPLETING THE INSTALLATION (Fig. 1)

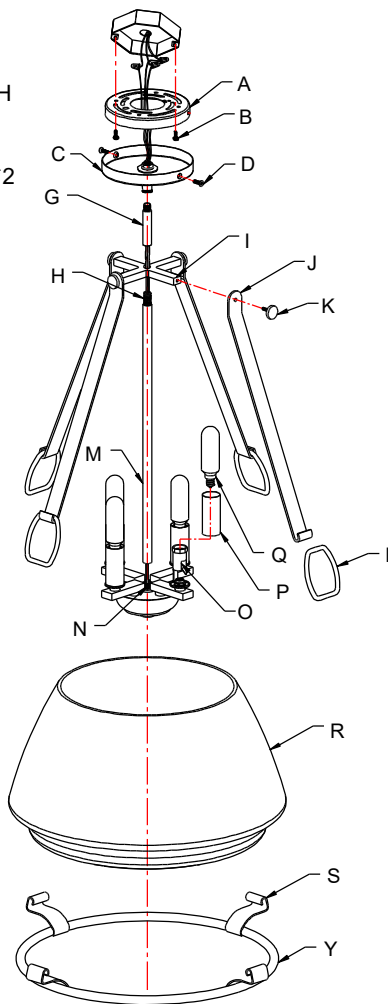
9. Slide canopy (C) over the mounting plate (A) and secure with screws (D).
10. Place the candle covers (P) over the sockets (O).
11. Install (4) four candelabra base bulbs (Q) up to 60 watts each or CFL or LED equivalent (not included) in accordance with the fixture specification — **DO NOT EXCEED THE MAXIMUM WATTAGE RATING! (NE PAS DEPASSER LA PUISSANCE NOMINALE MAXIMALE!)**
12. Align the holes of the metal bars (J) to the cross (I) and secure with screws (K).
13. Move metal trim (Y) over the bottom of glass shade (R) and connect metal bars (J) to the hook(S) with loops (L).  
**Note: The loops (L) should be orientated in the same direction.**

Your installation is now complete. Return power to the junction box and test the fixture.

**Note: Illustration (Fig. 3) on this manual is for installation purposes only. It may or may not be identical to the fixture purchased.**

Fig. 3

Set#A-021-118DH  
-Mounting plate  
-Ground screw  
-Mounting screw\*2



Candle cover# CCV24060P-107

Fig. 2

