

# INSTALLATION INSTRUCTIONS FOR 5130

**WARNING! SHUT POWER OFF AT FUSE OR CIRCUIT BREAKER .  
AVERTISSEMENT! COUPER LE COURANT AU NIVEAU DES FUSIBLES OU DU DISJONCTEUR.**

READ AND SAVE THESE INSTRUCTIONS

## PREPARATION (Fig. 1)

1. Shut off the power at the fuse box or circuit breaker. If necessary, remove the old fixture including the mounting hardware.
2. Carefully remove the fixture from the carton and check that all parts are included as shown in the illustration.

## MOUNTING THE FIXTURE (Fig.1)

3. Thread the two mounting screws (A) (Size: #8-32\*1.6"L) part way into the circular strap (B). Secure circular strap (B) to the junction box (not provided) using junction box screws (C) (Size: #8-32\*0.6"L). The side of the circular strap marked "GND" must face out. The length of mounting screws (A) into circular strap (B) may be adjusted if necessary.

## CONNECTING THE WIRES (Fig. 2)

4. At this point, connect the electrical wires as shown in Fig. 2 making sure all wire connectors are secured. If your outlet box has a ground wire (green or bare copper) connect fixture's ground wire to it. Otherwise, connect the fixture's ground wire directly to the mounting plate using the green screw provided. After the wires are connected, tuck them neatly inside the junction box.

## COMPLETING THE INSTALLATION (Fig. 1)

5. Mount the fixture body (D) onto mounting screws (A) and secure with finials (E).
6. Install the light bulbs (Included) in accordance with the fixture's specifications **(DO NOT EXCEED THE MAXIMUM WATTAGE!) (NE PAS DEPASSER LA PUISSANCE NOMINALE MAXIMALE!)**

Your installation is now complete. Return power to the junction box and test the fixture.

Fig.1

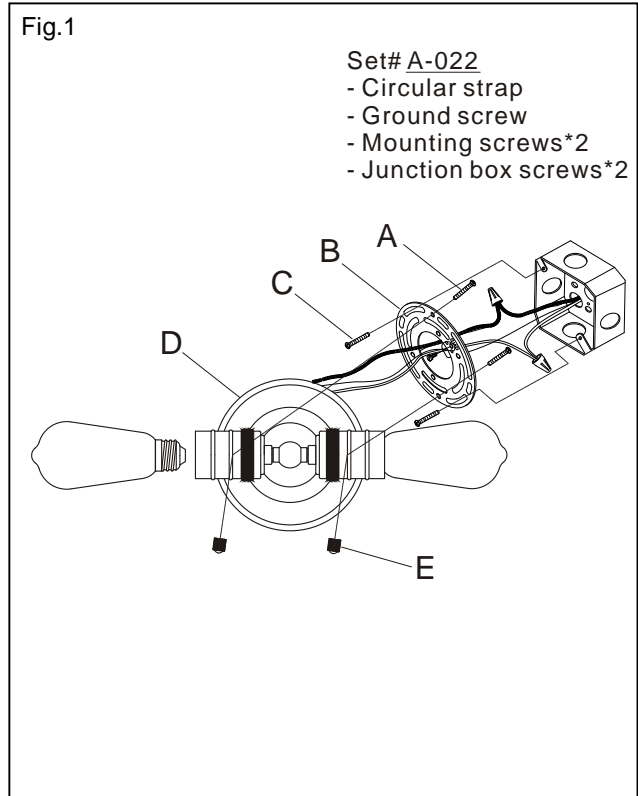


Fig.2

