

# INSTALLATION INSTRUCTIONS

Item#4013-280 (New. 01/10/2019)

## READ AND SAVE THESE INSTRUCTIONS

**WARNING! SHUT POWER OFF AT FUSE OR CIRCUIT BREAKER.**

**AVERTISSEMENT! COUPER LE COURANT AU NIVEAU DES FUSIBLES OU DU DISJONCTEUR.**

### PREPARATION (Fig. 1)

1. Shut off the power at the fuse box or circuit breaker. If necessary, remove the old fixture, including the mounting hardware.
2. Carefully remove the fixture from the carton and check that all parts are included as shown in the illustration.
3. Thread two mounting screws (A) into pre-drilled hole in the circular strap (B). Spaced the same distance apart as the holes in the canopy (D).
4. Attach the circular strap (B) to the Junction box using mounting screws (C) (Size: #8-32N\*L0.5"). The side of the circular strap (B) marked "GND" must face out.

### CONNECTING THE WIRES (Fig. 2)

5. At this point, connect the electrical wires as shown in figure 2, making sure that all wire connectors are secured. If your outlet has a ground wire (green or bare copper), connect the fixture's ground wire to it. Otherwise, connect the fixture's ground wire directly to the circular strap (B) using the green screw provided.

### COMPLETING THE INSTALLATION (Fig. 1)

6. Place the canopy (D) onto the mounting screws (A) and secure with knurled knobs (J).
7. Place the candle cover (H) over socket (G).
8. Install light bulbs (I) (not included) in accordance with the fixture's specification. **(DO NOT EXCEED THE MAXIMUM WATTAGE RATING!) (NE PAS DEPASSER LA PUISSANCE NOMINALE MAXIMALE!).**

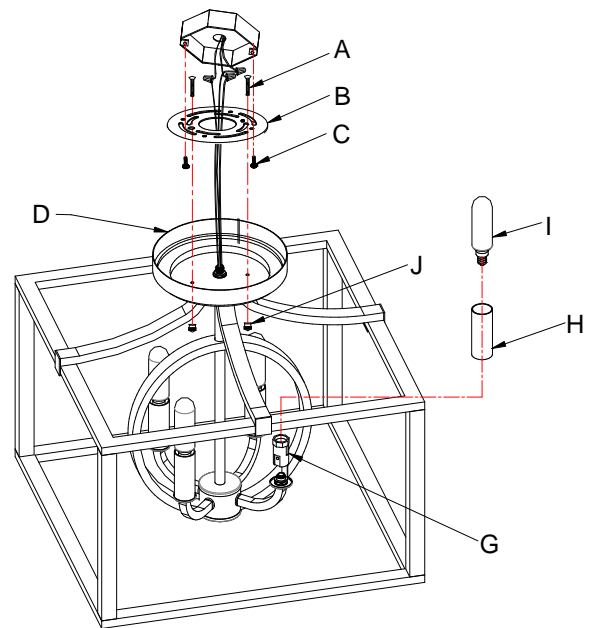
Your installation is now complete. Return power to the junction box and test the fixture.

**Note: Illustration (Fig. 1) on this manual is for installation purposes only. It may or may not be identical to the fixture purchased.**

Fig. 1

Set# A-020

- Circular Strap
- Ground Screw
- Mounting Screw\*2



Candle Cover#21060P-84B

Fig. 2

