

INSTALLATION INSTRUCTIONS

For Model 6390

READ AND SAVE THESE INSTRUCTIONS

WARNING! SHUT POWER OFF AT FUSE OR CIRCUIT BREAKER
AVERTISSEMENT! COUPER LE COURANT AU NIVEAU DES FUSIBLES OU DU DISJONCTEUR.

MOUNTING SHADE (Fig.3)

1. Shut off power at the circuit breaker and remove old fixture, including the crossbar.
2. Carefully unpack your new fixture and lay out all the parts on a clear area. Take care not to lose any small parts necessary for installation.
3. Place the Metal Plate (L) and Glass Panel (K) into the Fixture Arm (G), secure them by the Plastic Washer (J) and Screw (I).

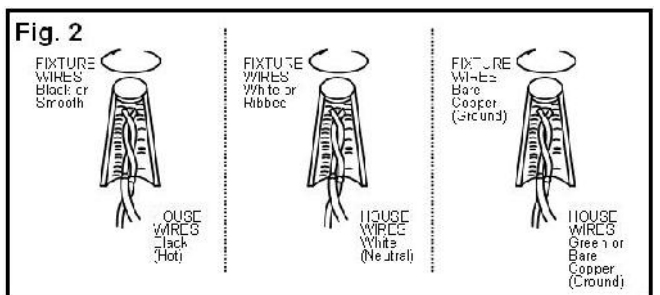
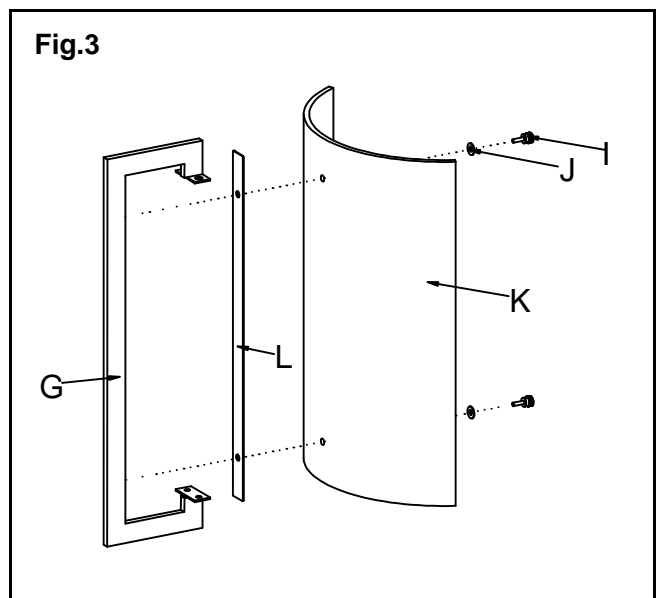
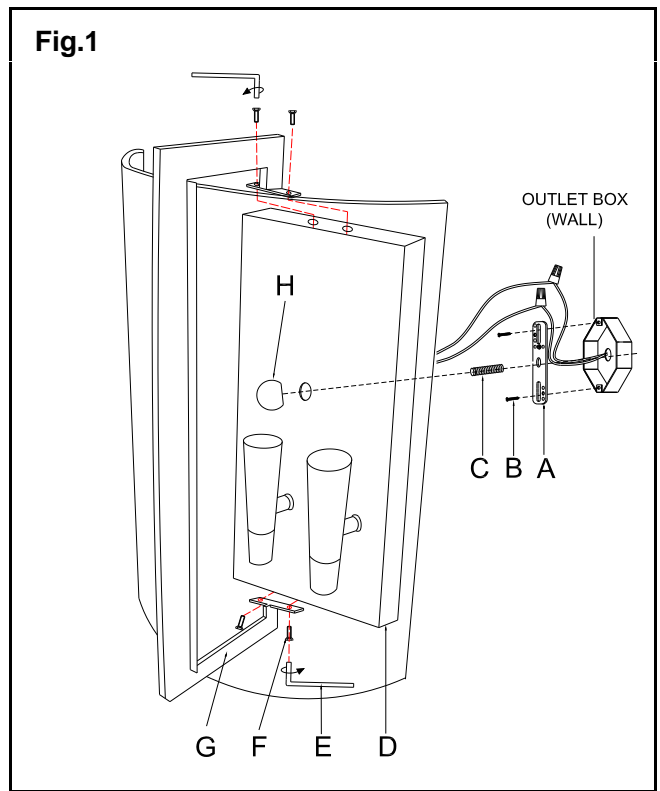
MOUNTING FIXTURE (Fig.1)

4. Place the crossbar (A) over the outlet box; hold it (A) in place, secure to outlet box by threading the two outlet box screws (B). Thread the nipple (C) to the center hold of the crossbar (A).
5. At this point, connect the electrical wires as follow, Connect the black wire from the fixture to the black house (hot) wire. Connect the white wire from the fixture to the white (neutral) house wire. Make sure all wire nuts are secured. You may wrap the connections with electrical tape. If your outlet has a ground wire (green or bare copper) connects fixture's ground wire to it. Otherwise connect fixture's ground wire directly to the crossbar using the green screw provided. (Fig.2)
6. After the wires are connected, tuck them carefully inside the outlet box as you place the backplate (D) over the nipple (C). Secure the backplate (D) against the wall using Cap Nut (H).
7. Install the bulbs (not included) in accordance with the fixture's specification. **(DO NOT EXCEED THE MAXIMUM WATTAGE RATING!!) (NE PAS DEPASSER LA PUISSANCE NOMINALE MAXIMALE!).**
8. Hold the Fixture Arm (G) in place, secure to the backplate (D) by threading the four screws (F) with wrench (E) through the slotted holes.

Your installation is now complete. Return power to the junction box and test the fixture.

Note: Illustration (Fig. 1) on this manual is for installation purposes only. It may or may not be identical to the fixture purchased.

MIN 75°C SUPPLY CONDUCTORS



LA-1903E