

INSTALLATION INSTRUCTION 4952

For Flush Mount Ceiling Fixture

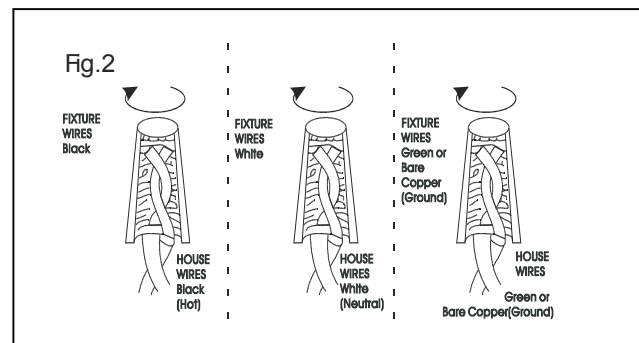
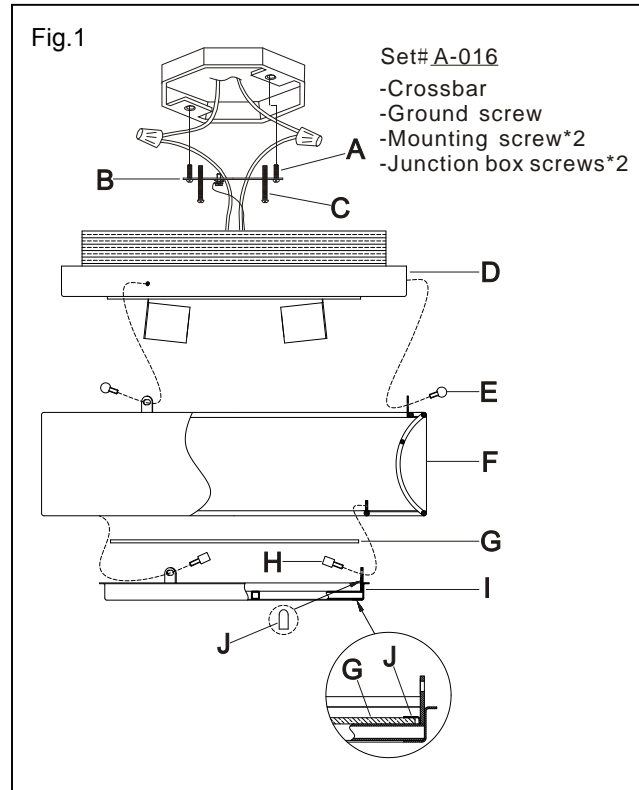
WARNING! SHUT POWER OFF AT FUSE OR CIRCUIT BREAKER .
AVERTISSEMENT! COUPER LE COURANT AU NIVEAU DES FUSIBLES OU DU DISJONCTEUR.

READ AND SAVE THESE INSTRUCTIONS

MOUNTING THE FIXTURE

1. Shut off the power at the fuse box or circuit breaker box. If necessary, remove the old fixture and all mounting hardware from junction box.
2. Carefully remove the fixture from the carton and check that all parts are included as shown in the illustration.
3. Remove the shade (F) from the ceiling pan (D).
4. Thread mounting screws (C) (Size: #8-32*1.6"L) into the matching holes in the crossbar (B). Secure crossbar (B) to outlet box with junction box screws (A) (Size: #8-32*0.6"L). The side of the crossbar marked "GND" must face out.
5. At this point, connect the electrical wires as show in (Fig. 2). Making sure all wire connectors are secured. If your outlet has a ground wire (green or bare copper), connect the fixture's ground wire to it. Otherwise connect fixture's ground wire directly to the crossbar using the green screw provided.
6. Tuck the wires neatly into the ceiling junction box and then raise the ceiling pan (D) all the way to the ceiling.
7. Align Ceiling pan (D) allowing for the mounting screws (C) to protrude through key slots. Turn Ceiling pan (D) clockwise until mounting screws (C) are in narrow part of key slots, Tighten with screwdriver.
8. Install the light bulbs (not included) in accordance with the fixture's specifications.
DO NOT EXCEED THE SPECIFIED WATTAGE!
(NE PAS DEPASSER LA PUISSANCE NOMINALE MAXIMALE!)
9. Place the glass panel (G) into the decorative ring (I), then use the sheet metals (J) to compact the glass panel (G).
10. Secure the decorative ring (I) to the bottom of shade (F) with the screws (H).
11. Raise shade (F) to the canopy (D), then secure with the screws (E).

Your installation is now complete. Return power to the junction box and test the fixture.



CAUTION-RISK OF FIRE. CONSULT A QUALIFIED ELECTRICIAN TO ENSURE CORRECT BRANCH CIRCUIT CONDUCTOR. MIN 90°C SUPPLY CONDUCTORS.