

# INSTALLATION INSTRUCTIONS

For item#2784-695(New. 01/20/2022)

## READ AND SAVE THESE INSTRUCTIONS

**WARNING! SHUT POWER OFF AT FUSE OR CIRCUIT BREAKER.**

**AVERTISSEMENT! COUPER LE COURANT AU NIVEAU DES FUSIBLES OU DU DISJONCTEUR.**

### PREPARING FOR INSTALLATION (Fig. 1)

1. Shut of power at the fuse box or circuit breaker box and remove the old fixture including the mounting hardware.
2. Carefully unpack your new fixture and lay out all the parts in a clean area. Take care not to misplace any small parts necessary for installation.
3. Thread all thread (E) into crossbar (C). Note: The length of the all thread (E) into the crossbar (C) may be adjusted if necessary.
4. Use lock washer (B) and hex nut (A) to secure all thread (E) into crossbar (C).
5. Take this crossbar (C) assembly and mount it to ceiling outlet box (not included) with mounting screws (D) (Size: #8-32N\*L0.5"). The side of crossbar marked with "GND" must face out.
6. The support cable is provided to support the weight of the fixture while wiring. Align the fixture to crossbar (C) and attach hook (F) on the end of support cable (G) into a slot located on crossbar (C). Carefully allow the support cable (G) to support the weight of the fixture while wiring.

### CONNECTING THE WIRES (Fig.2)

7. Connect the electrical wires as shown in figure 2, making sure that all wire connectors are secured. If your outlet has a ground wire (green or bare copper), connect the fixture's ground wire to it. Otherwise, connect the fixture's ground wire directly to the crossbar (C) using the green screw provided.
8. Tuck wire connectors neatly into the ceiling junction.
9. Place canopy (H) over all thread (E) and secure using finial (I).
10. Install (4) four medium base bulbs (J) up to 100 watts each or **CFL or LED equivalent (not included) in accordance with the fixture specification—DO NOT EXCEED THE MAXIMUM WATTAGE RATING! (NE PAS DEPASSER LA PUISSANCE NOMINALE MAXIMALE!)**
11. Thread all thread (M) to coupling (K) and tighten with hex nut (L). Adjust hex nut position if necessary.
12. Place flat washer (N), rubber washer (O), glass shield (P), rubber washer (O), flat washer (N) over all thread (M) and secure with hex nut (Q). Then screw finial (R) onto all thread (M).

Your installation is now complete. Return power to the outlet box and test the fixture.

**Note:** Illustration (Fig. 1) on this manual is for installation purposes only. It may or may not be identical to the fixture purchased.

Fig. 1

Set# A-010

- Crossbar
- Ground screw
- Mounting screw\*2

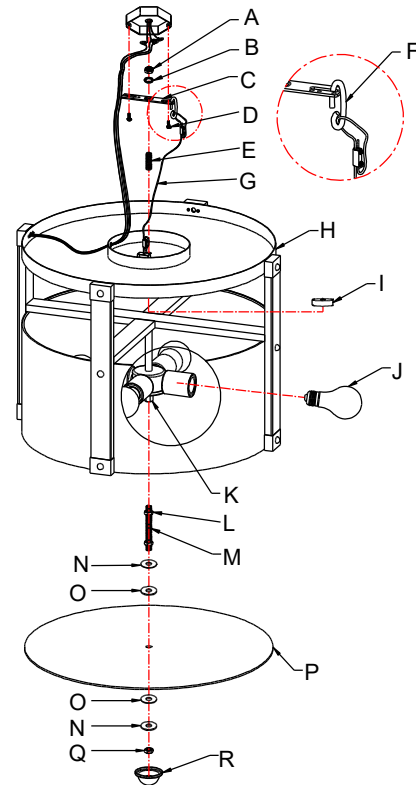


Fig. 2

