

INSTALLATION INSTRUCTIONS

Item#3997-66A/3997-84(Semi-Flush Mount)

READ AND SAVE THESE INSTRUCTIONS

WARNING! SHUT POWER OFF AT FUSE OR CIRCUIT BREAKER.
AVERTISSEMENT! COUPER LE COURANT AU NIVEAU DES FUSIBLES OU DU DISJONCTEUR.

1. Shut off power at the fuse box or circuit breaker box and remove the old fixture including the mounting hardware.
2. Carefully unpack your new fixture and lay out all the parts in a clean area. Take care not to misplace any small parts necessary for installation.

ASSEMBLING THE FIXTURE (Fig.1)

3. Screw center rod (H) to top of all thread (G1) of fixture body (I).
4. Secure all thread (G) of canopy (C) into center rod (H).
5. Thread mounting screw (D) into pre-drilled holes in mounting plate (A) spaced same distance apart as holes in canopy (C). Length of mounting screws (D) may be adjusted if necessary. Attached mounting plate (A) to junction box (Not included) using junction box screws (B). The side of mounting plate marked "GND" must face out.

CONNECTING THE WIRES (Fig. 2)

6. Connect the electrical wires as shown in fig 2, making sure that all wire connectors are secured. If your junction box has a ground wire (green or bare copper), connect the fixture's ground wire to it. Otherwise, connect the ground wire directly to the mounting plate (A) using the green screw (E) provided.
7. Tuck wire connectors neatly into the junction box.

COMPLETING THE INSTALLATION (Fig. 1)

8. Place canopy (C) over mounting plate (A) and secure w two finials (F) onto mounting screws (D).
9. Unscrew the metal rings (K) from the sockets and place the glasses (J) over the sockets, then secure with the metal rings (K).
9. Install (3) three medium base bulbs (L) up to 60 watts each or CFL or LED equivalent (not included) in accordance with the fixture specification—**DO NOT EXCEED THE MAXIMUM WATTAGE RATING! (NE PAS DEPASSER LA PUISSANCE NOMINALE MAXIMALE!)**

Your installation is now complete. Return power to the junction box and test the fixture.

Note: Illustration (Fig. 1) on this manual is for installation purposes only. It may or may not be identical to the fixture purchased.

IMPORTANT: FIXTURE SHOULD BE INSTALLED BY A QUALIFIED ELECTRICIAN TO ENSURE PROPER WIRING AND INSTALLATION.

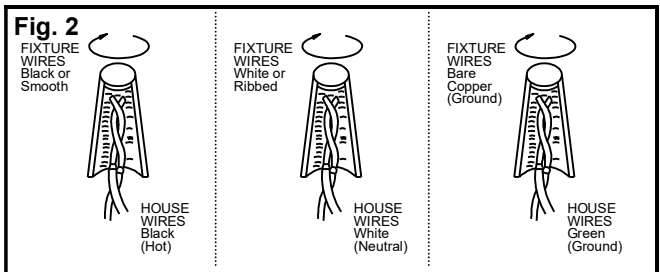
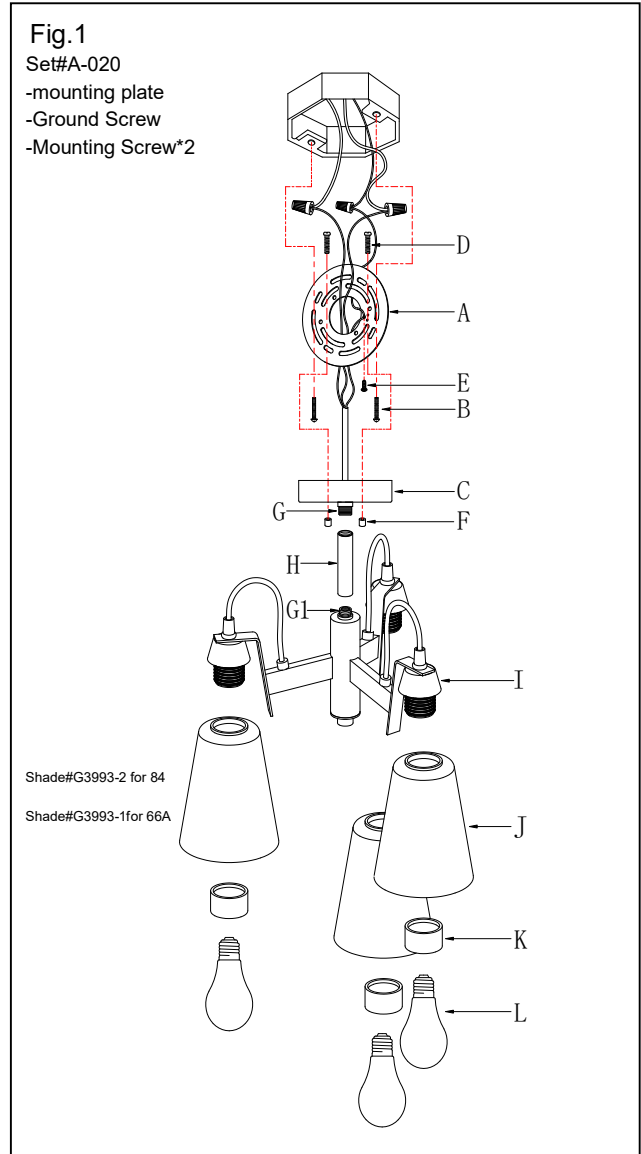
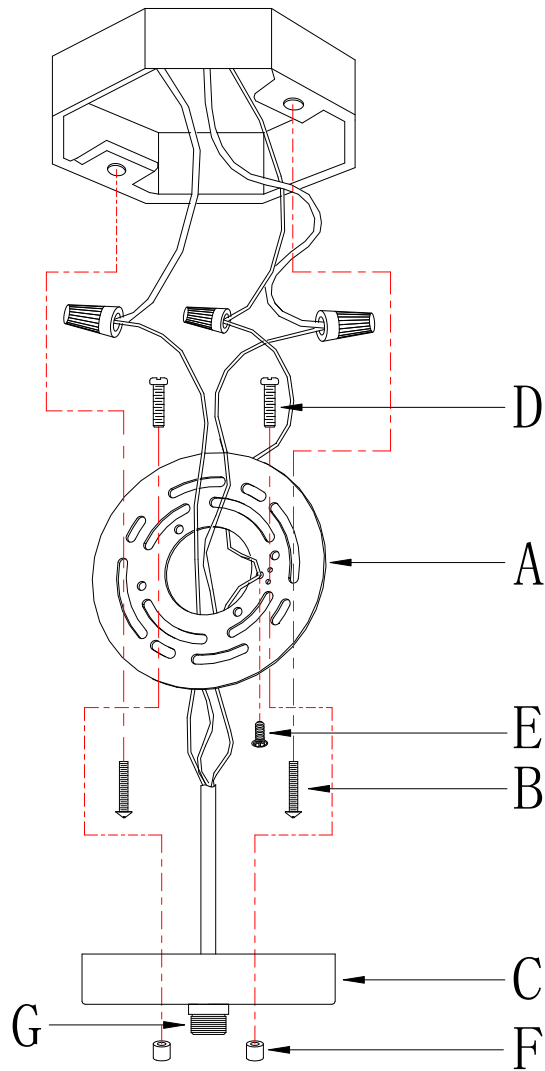


Fig.3



- a. Hardware Bag:**
A. Mounting plate*1
B. Junction Box Screw*2
C. Canopy *1
D. Mounting screw*2
E. Ground screw*1
F. Finial*2

