

INSTALLATION INSTRUCTIONS FOR 9801-L 9802-L

For Wall Sconce Fixture

READ AND SAVE THESE INSTRUCTIONS

WARNING! SHUT POWER OFF AT FUSE OR CIRCUIT BREAKER.
AVERTISSEMENT! COUPER LE COURANT AU NIVEAU DES FUSIBLES OU DO DISJONCTEUR

ASSEMBLING THE FIXTURE (Fig.1)

- 1 Shut off power at the fuse box or circuit breaker. If necessary, remove the old fixture including the mounting hardware.
- 2 Carefully remove the fixture from the carton and check that all parts are included as show in Figure 1.
- 3 Attach circular strap (B) to junction box with two junction box screws (C)(size:8-32*1/2"L).The "GND" must be face out.

CONNECTING THE WIRES (Fig. 2)

- 4 Connect the electrical wires as shown in Fig.2, making sure that all wire nuts are secured. If your outlet has a ground wire (green or bare copper), connect the fixture's ground Wire to it. Otherwise, connect the fixture's ground wire directly to the circular strap using the green screw provided. Tuck the wire connections neatly into the junction box.
- 5 Align fixture (F) over the mounting screws (E), and secure with cap nuts (G).

FINISHING THE INSTALLATION (Fig. 1)

- 6 Carefully slide glass (H) with the marked arrow on the topside, into the fixture and secure with glass support bar (I) and screws(J).
- 7 To prevent moisture from entering the outlet box and causing a short circuit, use clear caulking (i.e. Indoor/Outdoor silicone sealant) to outline the outside of fixture back plate where it meets the wall leaving a space at bottom to allow moisture a means to escape (Fig.3).

Your installation is now complete. Return power to the junction box and test the fixture.

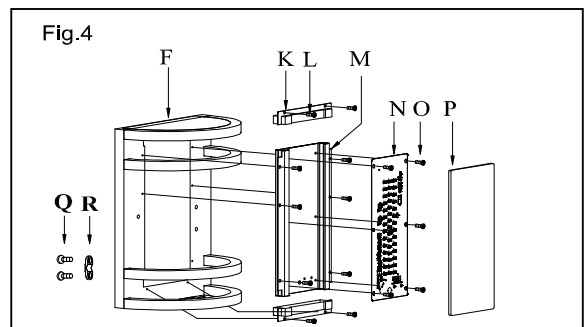
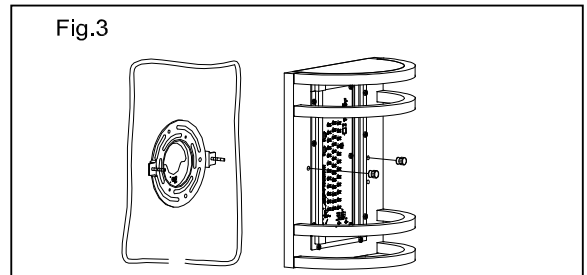
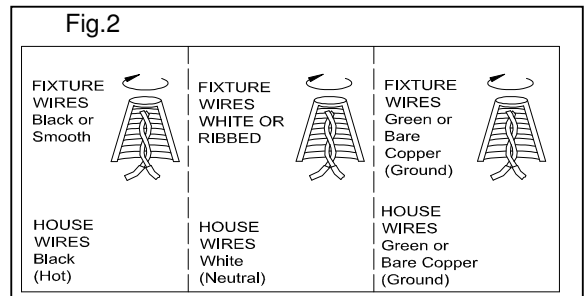
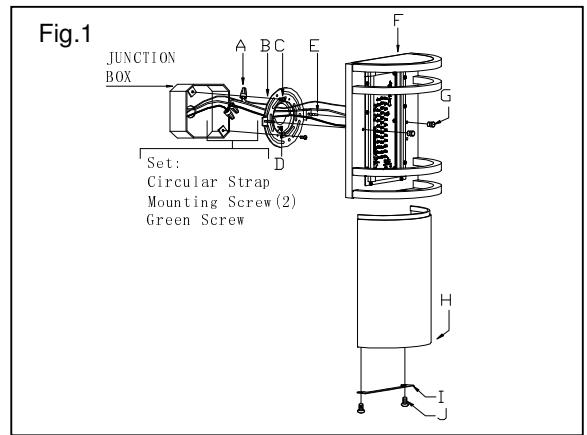
CAUTION /ATTENTION: When handling the fixture, do not apply pressure to the LEDs. Hold the fixture by the base or back plate (F) only.

Replacing LED module (Fig. 4)

The LED module can be replaced by a qualified electrician without cutting of wire and without damage to any decorative element to which the fixture is attached. See installation steps for more details (Fig. 4)

Warning: Turn off power at the circuit breaker before replacing LED module.

- a. Loosen screw (J) to remove steel bar (I) and glass (H). Loosen cap nuts (G) remove the wire nuts and remove the fixture.
- b. Loosen screws (L) remove cap (K) and glass plate (P). Loosen screws (O) and remove LED module (N)L loosen screws (Q) on LED module and wire fastener (R).
- c. Reverse steps a-e for installing the new LED module
- d. Note: The LED module should be provided by a specified supplier.



IMPORTANT: Fixture should be installed by a qualified electrician to ensure proper wiring and installation. Dimmable with C-L (CFL & LED) type and Incandescent/Halogen type dimmers

