

INSTALLATION INSTRUCTIONS

Item#2799-695 (New. 04/15/2022)

READ AND SAVE THESE INSTRUCTIONS

WARNING! SHUT POWER OFF AT FUSE OR CIRCUIT BREAKER.
AVERTISSEMENT! COUPER LE COURANT AU NIVEAU DES FUSIBLES OU DU DISJONCTEUR.

MOUNTING THE FIXTURE (Fig.1)

1. Shut off power at the fuse box or circuit breaker and remove the old fixture including the mounting hardware.
2. Carefully unpack your new fixture and lay out all the parts on a clean area. Take care not to lose any small parts necessary for installation.
3. Thread screws (B) into pre-drilled holes on circular strap (G) spaced same distance apart as holes in canopy (J) and tighten with nuts (E). The length of screws (B) may be adjusted if necessary.
4. Attach circular strap (G) to junction box (not included) using mounting screws (D). The side of circular strap marked "GND" must face out.
5. Run the wires through the central tube of canopy (J).
6. Connect fixture (F) to the central pipe of canopy (J). 7. Install (3) three candelabra (T8) bulbs (not included) up to 40 watts each (not included) in accordance with the fixture specification—**DO NOT EXCEED THE MAXIMUM WATTAGE RATING! (NE PAS DEPASSER LA PUISSANCE NOMINALE MAXIMALE!)**.
8. Screw glass (I) onto fixture (F). Don't over tighten.

CONNECTING THE WIRES (Fig.2)

9. Connect the electrical wires as shown in Fig.2, making sure that all wire connectors (C) are secured. If your junction box has a ground wire (green or bare copper), connect the fixture's ground wire to it. Otherwise, connect the fixture's ground wire directly to the circular strap (G) using the green screw provided.
10. Tuck wire connectors neatly into the junction box.

FINISHING THE INSTALLATION (Fig.1)

11. Place canopy (J) over screws (B) and secure with finials (A).

Your installation is now complete. Return power to the

junction box and test the fixture.

Note: Illustration (Fig.1) on this manual is for installation purposes only. It may or may not be identical to the fixture purchased.

Fig.1

Set# A-021

-Circular Strap

-Ground Screw

-Mounting Screw*2

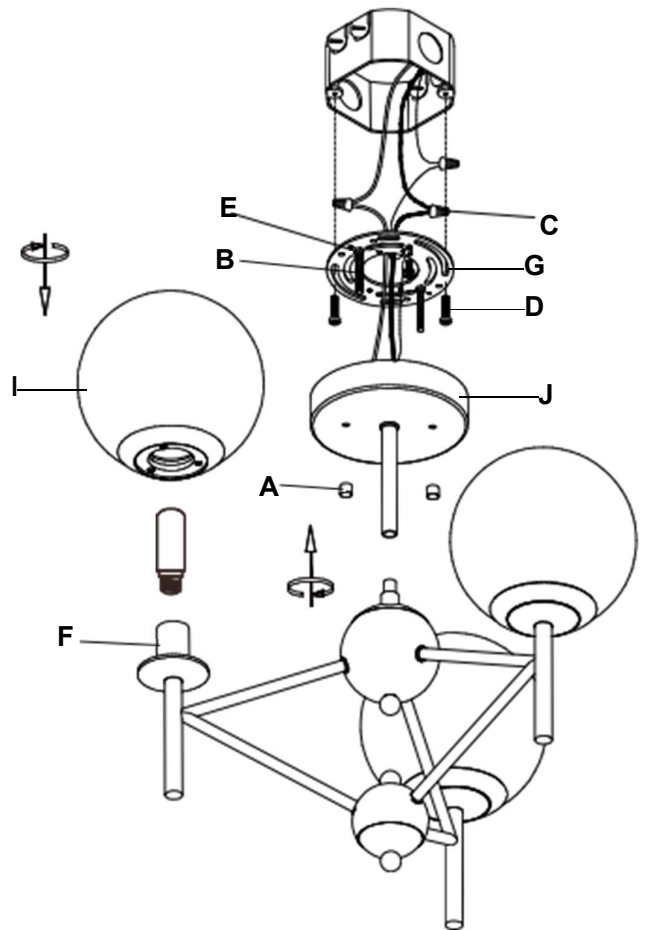


Fig.2

