

INSTALLATION INSTRUCTIONS

Item#827-77/84/103/249-L (New. 12/26/2018)

READ AND SAVE THESE INSTRUCTIONS

WARNING! SHUT POWER OFF AT FUSE OR CIRCUIT BREAKER.

AVERTISSEMENT! COUPER LE COURANT AU NIVEAU DES FUSIBLES OU DU DISJONCTEUR.

HANGING THE FIXTURE (Fig. 1)

1. Shut of power at the fuse box or circuit breaker box and remove the old fixture including the mounting hardware.
2. Carefully unpack your new fixture and lay out all the parts in a clean area. Take care not to misplace any small parts necessary for installation.
3. Thread screws (B) into the pre-drilled holes in the circular strap (C) spaced the same distance apart as the holes in the ceiling pan (I) and secure with hex nut (D).
4. Attach the circular strap (C) to the junction box using the outlet box screws (F) (size: #8-32N*L0.5"). The side of circular strap (C) marked "GND" faced out.
5. Secure one end of the rod (W) onto the nipple of the metal ring (V). Then, through screws (S) into the ceiling pan (I) and metal ring (U) and secure on the rod (W).

CONNECTING THE WIRES (Fig. 2)

6. At this point, connect the electrical wires as shown in Fig. 2, making sure that all wire connectors are secured. If your outlet box has a ground wire (green or bare copper), connect the fixture's ground wire to it. Otherwise, connect the fixture's ground wire directly to the mounting plate using the green screw provided. After wires are connected, tuck them carefully inside the junction box.

COMPLETING THE INSTALLATION (Fig. 1)

7. Place the ceiling pan (I) onto the mounting screws (B) and secure with the cap nuts (H).
8. Thread the nipple (K) to coupling (G) and tighten with hex nut (J).
9. Through glass shade (L), plastic washer (O) and metal washer (P) into the nipple (K) and secure part (R) by using the wrench (Q) (Not over tighten).
10. Secure finial (M) into the part (R).

Your installation is now complete. Return power to the junction box and test the fixture.

CAUTION/ATTENTION: When handling the fixture, do not apply pressure to the LEDs. Hold the fixture by the base or ceiling pan (I) only.

Replacing LED module (Fig.3)

The LED module can be replaced by a qualified electrician without cutting the wires and without damaging the decorative element to which the fixture is attached. See installation steps for more details (Fig.3)

Warning: Turn off power at the fuse box or circuit breaker before replacing the LED module.

- a. Loosen finial (M) and remove the part (R) by using the wrench (Q), then remove the metal washer (P), plastic washer (O) and glass shade (L).
- b. To remove the fixture from the ceiling: loosen the cap nuts (H) and remove the wire connectors. Then place the fixture on a clean flat surface (Fig.3).
- c. Use a pin to press from the hole of the quick connector and disconnect the black/white wire respectively.
- d. Loosen screws (T), then carefully remove the LED module (N) from ceiling pan (I).
- e. Reverse steps a-d for installing the new LED module.

Note: The LED module should be provided by a specified supplier.

IMPORTANT: Fixture should be installed by a qualified electrician to ensure proper wiring and installation.

Fig.1

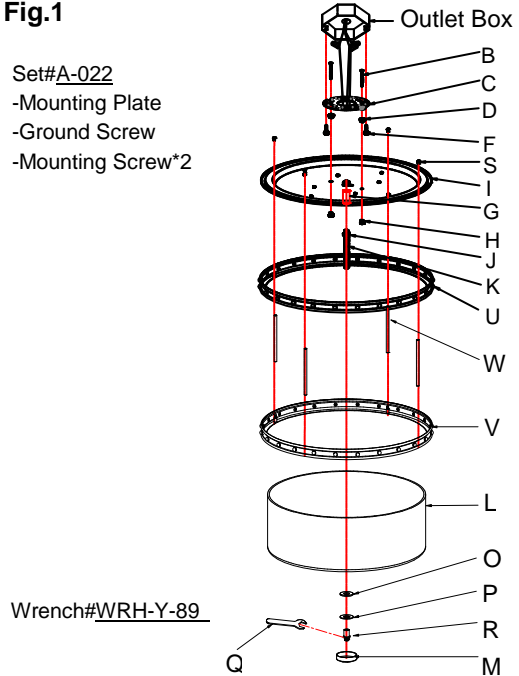


Fig. 2

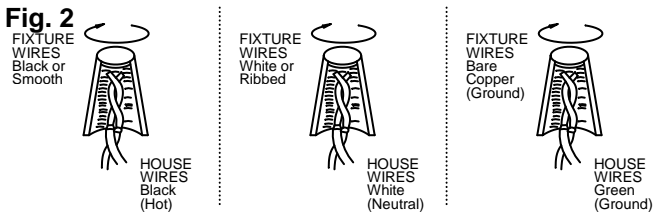
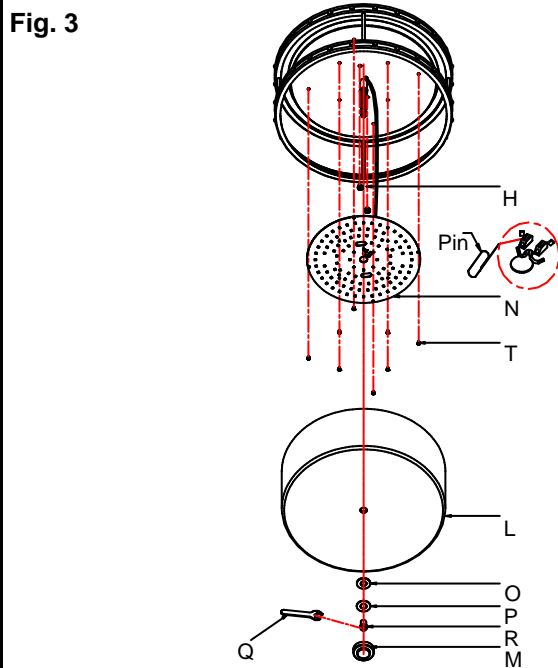


Fig. 3



Dimmable with ELV and/or LED compatible wall dimmer switches.



LA-3035E