

INSTALLATION INSTRUCTIONS

Item#1827-77/84/103/249 (New. 08/31/2017)

READ AND SAVE THESE INSTRUCTIONS

WARNING! SHUT POWER OFF AT FUSE OR CIRCUIT BREAKER.

AVERTISSEMENT! COUPER LE COURANT AU NIVEAU DES FUSIBLES OU DU DISJONCTEUR.

HANGING THE FIXTURE (Fig. 1)

1. Carefully remove the fixture from the carton and check that all parts are included as shown in the illustration.
2. Shut off power at the circuit breaker and remove the old fixture including the mounting hardware.
3. Position the mounting plate (C) on the ceiling and mark the location of the three drywall anchors (A). Pre-drill the holes for the drywall anchors (A). Then insert the drywall anchors (A) into the ceiling.
4. Thread mounting screws (B) into the pre-drilled holes in mounting plate (C). Space the same distance apart as the holes in the ceiling pan (I) and secure with hex nut (D).
5. Attach mounting plate (C) to the outlet box using mounting screws (F) (Size: #8-32N*L0.5") and wood screws (E) into drywall anchors (A). The side of the mounting plate marked "GND" must face out.
6. Secure one end of rod (N) onto the nipple of the metal ring (O). Then, through screw (G) into ceiling pan (I) and metal ring (M) and secure on the rod (N).

CONNECTING THE WIRES (Fig. 2)

7. At this point, connect the electrical wires as shown in Fig. 2, making sure that all wire connectors are secured. If your outlet box has a ground wire (green or bare copper), connect the fixture's ground wire to it. Otherwise, connect the fixture's ground wire directly to the mounting plate using the green screw provided. After wires are connected, tuck them carefully inside the junction box.

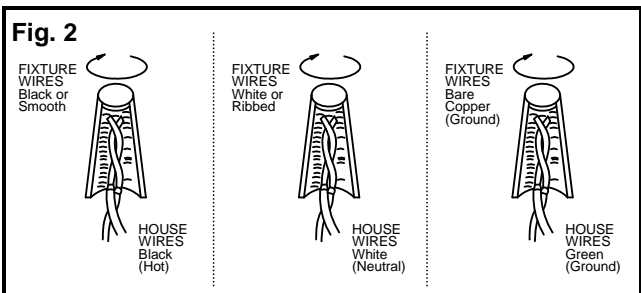
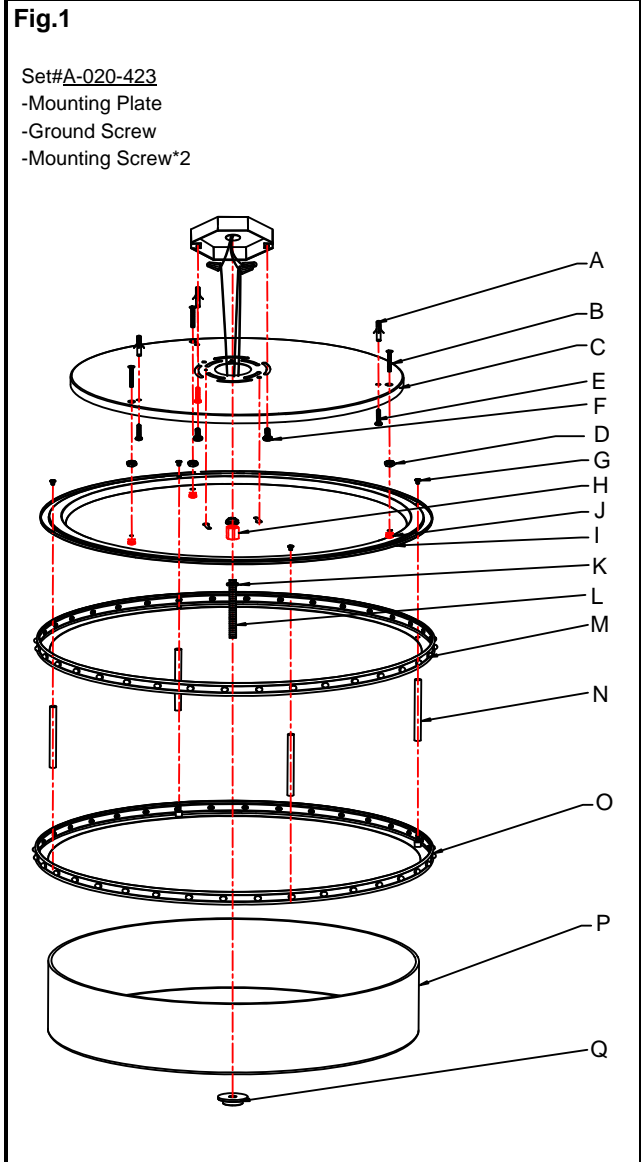
COMPLETING THE INSTALLATION (Fig. 1)

8. Place the ceiling pan (I) onto the mounting screws (B) and secure with the cap nuts (J).
9. Install the light bulb(s) (not included) in accordance with the fixture's specifications. **(DO NOT EXCEED THE MAXIMUM WATTAGE RATING!) (NE PAS DEPASSER LA PUISSANCE NOMINALE MAXIMALE!).**
10. Thread the nipple (L) to coupling (H) and tighten with hex nut (K).
11. Place glass shade (P) over the nipple (L) and tighten with finial (Q).

Your installation is now complete. Return power to the junction box and test the fixture.

Note: Illustration (Fig. 1) on this manual is for installation

MIN 90°C SUPPLY CONDUCTORS



LA-2776E