

INSTALLATION INSTRUCTIONS

Item#5500-77/84/249/281-L (New. 12/20/2017)

READ AND SAVE THESE INSTRUCTIONS

WARNING! SHUT POWER OFF AT FUSE OR CIRCUIT BREAKER.

AVERTISSEMENT! COUPER LE COURANT AU NIVEAU DES FUSIBLES OU DU DISJONCTEUR.

MOUNTING THE FIXTURE (Fig.1)

1. Shut off the power at the fuse box or circuit breaker. If necessary, remove the old fixture, including the mounting hardware.
2. Carefully remove the fixture from the carton and check that all parts are included as shown in the illustration.
3. Position the mounting plate (A) on the wall, and mark location of the two mounting holes. Drill the holes on the wall, and then insert the plastic anchors (E).
4. Attach the mounting plate (A) to the junction box using mounting screws (B) (Size: #8-32N*L0.5"). The side of the mounting plate marked "GND" must face out.
5. Secure the mounting plate (A) by inserting the wood screws (F) through the holes on the mounting plate into the plastic anchors (E).

CONNECTING THE WIRES (Fig. 2)

6. At this point, connect the electrical wires as shown in Fig. 2, making sure that all wire connectors are secured. If your outlet box has a ground wire (green or bare copper), connect the fixture's ground wire directly to the mounting plate using the green screw provided. After the wires are connected, tuck them carefully inside the junction box.

FINISHING THE INSTALLATION (Fig.1)

7. Place fixture body (D) over mounting plate (A) and fasten with Screws (C).
8. Slide glass shade (I) into the front bracket (H) as shown in Fig.1 align the holes of the decorative plate (J) to the bracket (H) and secure with screw (K)

Your installation is now complete. Return power and test the fixture.

CAUTION/ATTENTION: When handling the fixture, do not apply pressure to the LEDs. Hold the fixture by the base or fixture body (D) only.

Replacing LED module (Fig.3)

The LED module can be replaced by a qualified electrician without cutting the wires and without damaging the decorative element to which the fixture is attached. See installation steps for more details (Fig.3)

Warning: Turn off power at the fuse box or circuit breaker before replacing the LED module.

- a. To remove the fixture from the wall: loosen screws (C), and remove the wire connectors. Then place the fixture on a clear flat surface. (Fig.1)
- b. Loosen screws (K) and remove the decorative plate (J), slide out glass (I).
- c. Loosen screws (N), then remove the gaskets (M).
- d. Use a pin to press from the hole of the quick connector and disconnect the red/blue wire respectively.
- e. Carefully remove the LED module (L) from bracket (H) of the fixture body.
- f. Reverse steps a-e for installing the new LED module.

Note: The LED module should be provided by a specified supplier.

Fig. 1

Set#A-021-108300
-Mounting Plate
-Ground Screw
-Mounting Screw*2

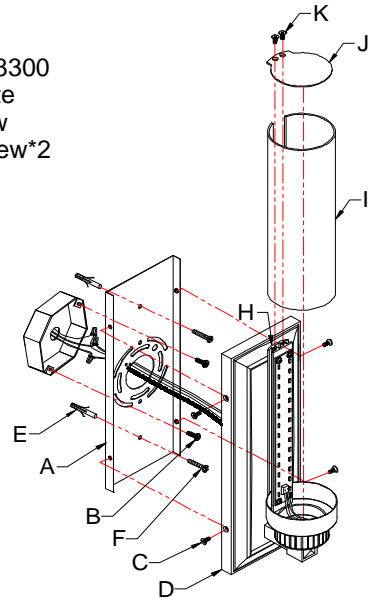


Fig. 2

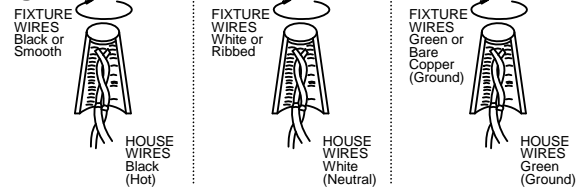
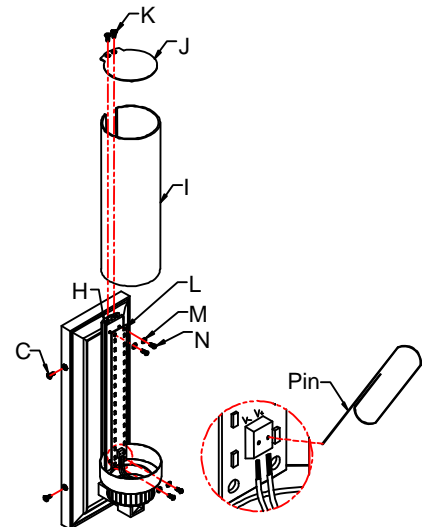


Fig. 3



IMPORTANT: Fixture should be installed by a qualified electrician to ensure proper wiring and installation.

Dimmable with ELV and/or LED compatible wall dimmer switches.