

# INSTALLATION INSTRUCTION

For Wall Mount Fixture Item#346-14 (New. 05/08/2019)

READ AND SAVE THESE INSTRUCTIONS

**WARNING! SHUT POWER OFF AT FUSE OR CIRCUIT BREAKER.**

**AVERTISSEMENT! COUPER LE COURANT AU NIVEAU DES FUSIBLES OU DU DISJONCTEUR.**

## PREPARATION (Fig. 1)

1. Shut off power at the fuse box or circuit breaker box and remove the old fixture including the mounting hardware.
2. Carefully unpack your new fixture and lay out all the parts in a clear area. Take care not to misplace any small parts necessary for installation.
3. Thread the nipple (D) part way into the center hole of the crossbar (C). Note: The length of the nipple into the crossbar may be adjusted if necessary.
4. Use the lock washer (B) and hex nut (A) to secure the nipple (D) into the crossbar.
5. Attach the Crossbar (C) to the junction box with the two Junction box screws (E) (Size: #8-32N\*L0.5") as shown. The side of the Crossbar marked "GND" must face out.

## CONNECTING THE WIRES (Fig. 2)

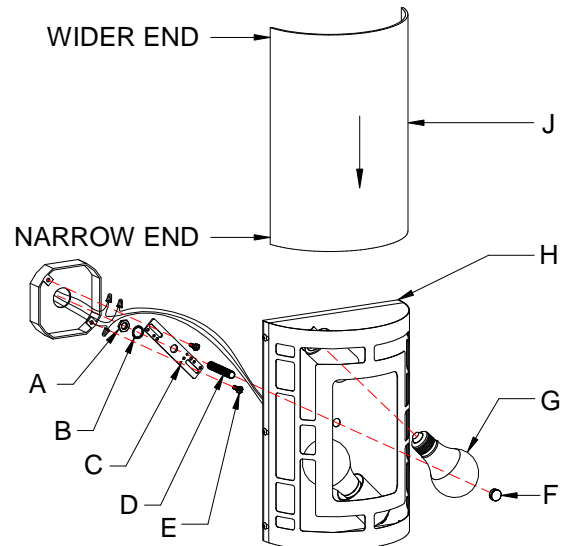
5. Connect the electrical wires as shown in Fig. 2, making sure that all wire connectors are secured. If your outlet box has a ground wire (green or bare copper), connect the fixture's ground wire to it. Otherwise, connect the fixture's ground wire directly to the crossbar (C) using the green screw provided. After the wires are connected carefully tuck them inside the Junction box.

## COMPLETING THE INSTALLATION

6. Place the fixture back plate (H) over the nipple (D) so the nipple protrudes through the center hole. Holding the fixture in place, thread the cap nut (F) onto the end of the nipple (D) until fixture is secured to the wall.
7. Install (2) two medium base bulbs (G) up to 60 watts each or CFL or LED equivalent (not included) in accordance with the fixture specification. — **DO NOT EXCEED THE MAXIMUM WATTAGE RATING! (NE PAS DEPASSER LA PUISSANCE NOMINALE MAXIMALE!)**
8. With the wider end on upper side, slide the glass shade (J) into the decorative glass holder.

Your installation is now complete. Return the power to the junction box and test the fixture.

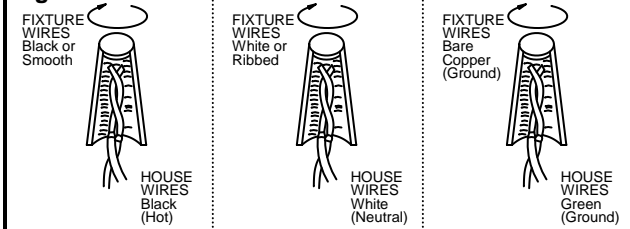
Fig. 1



Set# A-010

- Crossbar
- Ground screw
- Mounting Screw\*2

Fig. 2



**Note:** Illustration (Fig. 1) on this manual is for installation purposes only. It may or may not be identical to the fixture purchased.

MIN 75°C SUPPLY CONDUCTORS