

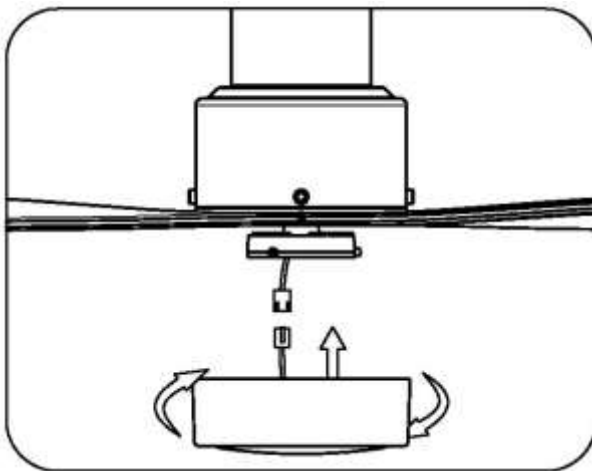
**BE SURE TO FOLLOW ALL STEPS IN THE ORDER GIVEN.
BE SURE POWER IS OFF AT FUSE, OR CIRCUIT BREAKER BOX.**

Attention: The Energy Policy Act of 2005 requires this light kit to be equipped with a 75 watt limiting device. If lamping exceeds 75 watts, the ceiling fan's light kit will shut off automatically.

CAUTION: Before starting installation, disconnect the power by turning off the circuit breaker or removing the fuse at fuse box.

Step 1. While holding the 20W LED assembly under your fan, firmly snap the wire connection plugs together.

Step 2. Attach the 20W LED assembly to the switch box by twisting tightly



Note: Lamping in excess of 75 Watt will disable your light kit. To reset your light kit you must turn the power off and re-lamp keeping the wattage under 75 watts.

CAUTION: To reduce The Risk Of Fire And Electric Shock, This Light Kit Should Be Used Only With The Fans Models: F787, F786

Approximate maximum weight: 0.70 Lbs.

Manual design and all elements of manual design are protected by U.S. Federal and/or State Law, including Patent, Trademark and/or Copyright laws.

