

Important: Always disconnect the power before installing or replacing bulb and before cleaning or other maintenance.

This light should be installed by a licensed electrician

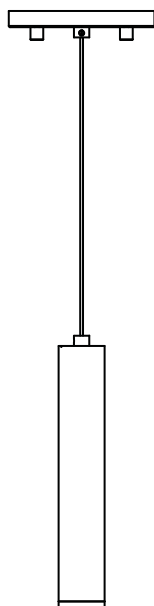
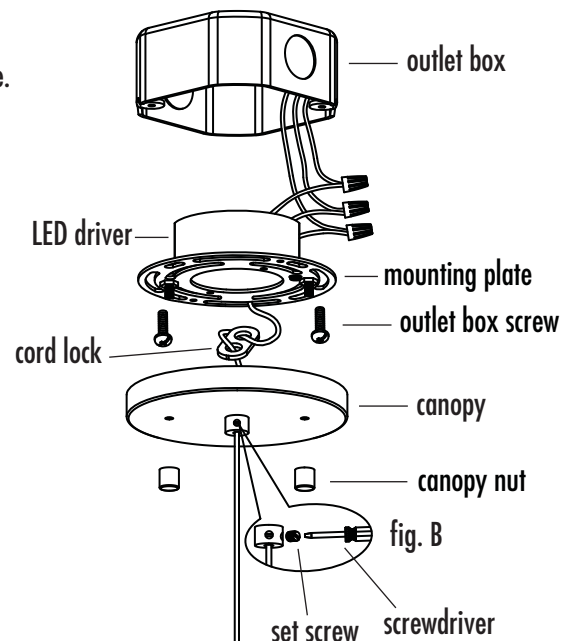
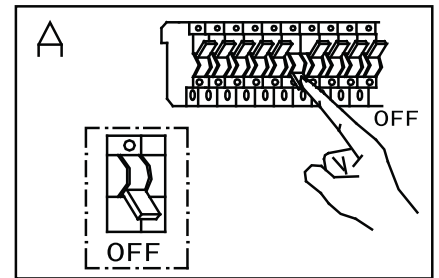
LAMP INSTALLATION AND ASSEMBLY

1. Shut off power to the outlet box. (fig. A)
2. Determine the height at which the fixture is to be hung. Use the screwdriver (included) to loosen the set screw. (fig. B) Adjust the cords to the desired length. Tighten the set screw to set.
3. Reserve extra cord in the canopy, and adjust the cord lock so they are 12" from the canopy to prevent slippage.
4. Make appropriate electrical connections using wire nuts:
 - a. Connect the LED driver's live wire (brown/black) to the live outlet box wire.
 - b. Connect the LED driver's neutral wire (blue/white) to the neutral outlet box wire.
 - c. Connect fixture's ground wire (green or uncoated) to the ground outlet box wire. If no ground is present in outlet box, connect fixture's ground wire to the mounting plate using the green screw (included).
 - d. Carefully place connections and LED driver in outlet box.
5. Attach mounting plate to the outlet box, secure with outlet box screws.
6. Attach canopy to mounting plate, secure with canopy nuts.
7. Restore power to the fixture.

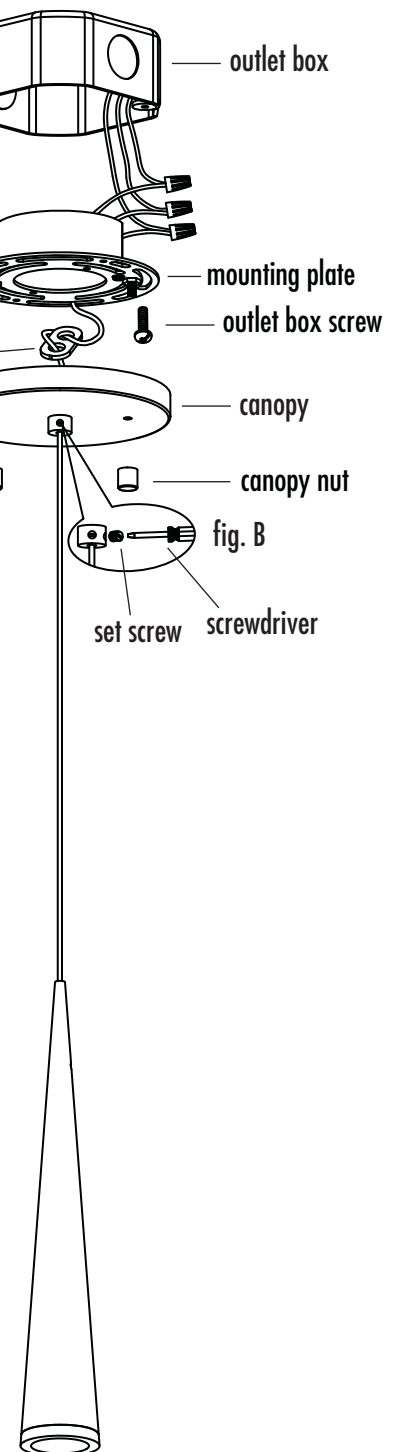
Note: This fixture is dimmable with Electronic Low Voltage (Trailing-Edge) and Incandescent (Leading-Edge) type dimmers. For best performance, we recommend using an Electronic Low Voltage dimmer.

CARE INSTRUCTIONS

- Dusting – Use a clean, dry cloth.
 Cleaning – To protect the finish, avoid any harsh abrasives or chemicals.



2390



2380