

INSTALLATION INSTRUCTIONS

Item#N7384-613 (New. 2022/05/30)

READ AND SAVE THESE INSTRUCTIONS

WARNING! SHUT POWER OFF AT FUSE OR CIRCUIT BREAKER.

AVERTISSEMENT! COUPER LE COURANT AU NIVEAU DES FUSIBLES OU DU DISJONCTEUR.

MOUNTING THE FIXTURE (Fig.1)

1. Shut off the power at the circuit breaker and remove the old fixture, including the mounting hardware.
2. Carefully unpack your new fixture and lay out all the parts on a clean area. Take care not to lose any small parts necessary for installation.
3. Secure rod (L) to fixture body (K) using screws (J). Then place larger cloth shade (H) onto fixture body (K) and secure with screws (I).
4. Determine desired hanging height and thread rods (F1,F2,F3) to all thread (R) on fixture body (K). Attach canopy (D) by threading onto rod (F1). Carefully pass wires through each rod during assembly. Note: Remove all thread, if installing with one 6" rod only.
5. Position mounting plate (A) on ceiling and mark location of two mounting holes. Drill holes on ceiling and insert plastic anchors (P).
6. Attach mounting plate (A) to junction box (not included) using mounting screws (B) (Size: #8-32N*L0.5") and wood screws (Q) into drywall anchors (P). The side of mounting plate marked "GND" must face out.
7. The support cable is provided to support the weight of fixture while wiring. Align fixture to mounting plate (A) and attach hook (G) on the end of support cable (C) into a slot located on mounting plate (A). Carefully allow the support cable (C) to support weight of fixture while wiring (Fig.1).

CONNECTING THE WIRES (Fig. 2)

8. Connect the electrical wires as shown in Fig.2, making sure that all wire connectors are secured. If your junction box has a ground wire (green or bare copper), connect fixture's ground wire to it. Otherwise, connect fixture's ground wire directly to mounting plate (A) using green screw provided.
9. Tuck the wire connections neatly into junction box.

FINISHING THE INSTALLATION (Fig.1)

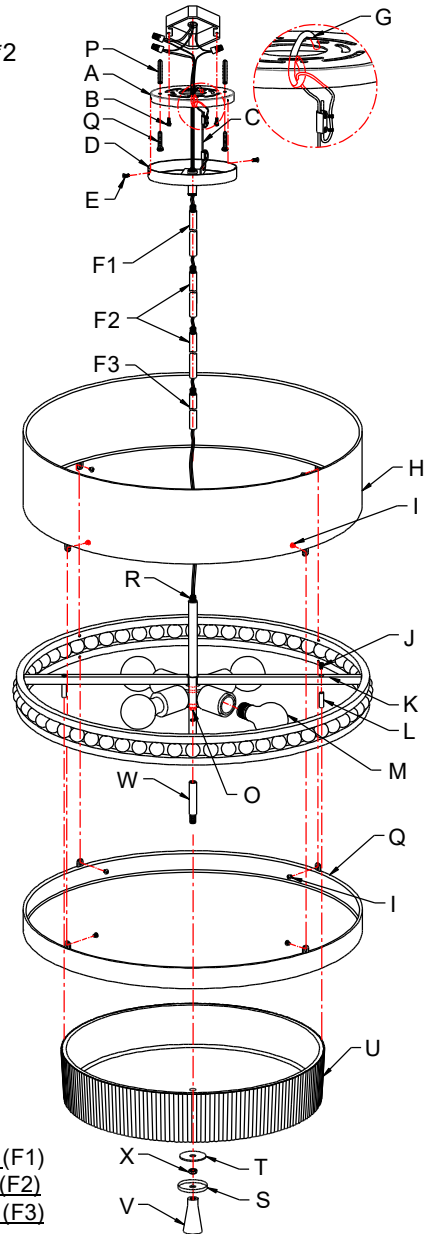
10. Place canopy (D) over mounting plate (A) and secure with screws (E).
11. Install (4) four medium base bulbs (M) up to 100 watts each or CFL or LED equivalent (not included) in accordance with the fixture specification—**DO NOT EXCEED THE MAXIMUM WATTAGE RATING! (NE PAS DEPASSER LA PUISSANCE NOMINALE MAXIMALE!**
12. Secure rod (W) into all thread (O). Then secure lower cloth shade (Q) to fixture body (K) using screws (I).
13. Place glass shade (U) followed by metal washer (T) over bottom of rod (W). Then fasten with hex nut (X).
14. Place metal cover (S) over rod (W) and secure with finial (V).

Your installation is now complete. Return power and test the fixture.

Note: Illustration (Fig.1) on this manual is for installation purposes only. It may or may not be identical to the fixture purchased.

Fig. 1

Set#A-021-143D
 -Mounting Screw *2
 -Ground Screw
 -Mounting Plate



Rod# W35-1-613 *1 (F1)
 W35-1-613 *2 (F2)
 W35-H-613 *1 (F3)

Fig. 2

