

INSTALLATION INSTRUCTIONS

Item#N7853-707 (New. 02/11/2019)

READ AND SAVE THESE INSTRUCTIONS

WARNING! SHUT POWER OFF AT FUSE OR CIRCUIT BREAKER.

AVERTISSEMENT! COUPER LE COURANT AU NIVEAU DES FUSIBLES OU DU DISJONCTEUR.

MOUNTING THE FIXTURE (Fig.1)

1. Shut **off** power at the fuse box or circuit breaker box and remove the old fixture including the mounting hardware.
2. Carefully unpack your new fixture and lay out all the parts in a clean area. Take care not to misplace any small parts necessary for installation.
3. Thread two mounting screws (A) into pre-drilled hole in the circular strap (B). Spaced the same distance apart as the holes in the canopy (D).
4. Attach circular strap (B) to the Junction Box using two junction box Screws (C) (Size: #8-32N*L0.5"). The side of the circular strap (B) marked "GND" must face out.
5. Secure tube assembly (E) to nipple (H) of fixture body.

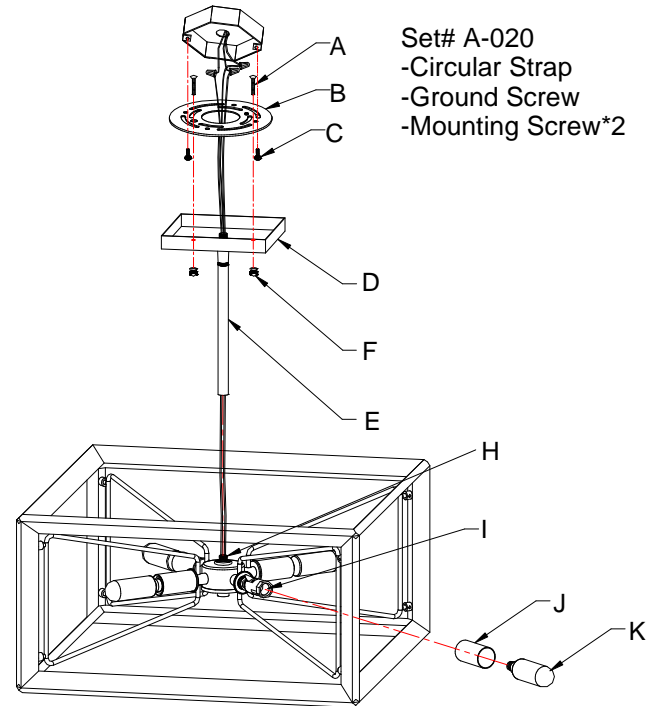
CONNECTING THE WIRES (Fig. 2)

6. At this point, connect the electrical wires as shown in Fig. 2, making sure that all wire connectors are secured. If your outlet box has a ground wire (green or bare copper), connect the fixture's ground wire to it. Otherwise, connect the fixture's ground wire directly to the circular strap (B) using the green screw provided. After the wires are connected, tuck them carefully inside the junction box.

FINISHING THE INSTALLATION (Fig.1)

7. Align the canopy (D) onto the mounting screws (A) and secure with knurled knobs (F).
8. Place the candle cover (J) over socket (I).
9. Installed (4) four candelabra base bulbs (K) up to 60 watts **each** or CFL or LED equivalent (not included) in accordance with the fixture specification—**DO NOT EXCEED THE MAXIMUM WATTAGE RATING! (NE PAS DEPASSER LA PUISSANCE NOMINALE MAXIMALE!)**.

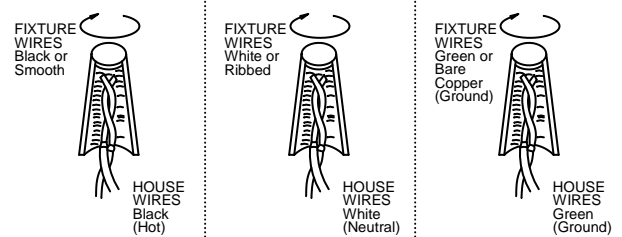
Fig. 1



Set# A-020
-Circular Strap
-Ground Screw
-Mounting Screw*2

Candle Cover#CCV24049P-66

Fig. 2



Your installation is now complete. Return power and test the fixture.

Note: Illustration (Fig.1) on this manual is for installation purposes only. It may or may not be identical to the fixture purchased.