

# INSTALLATION INSTRUCTIONS

Item#N1852-707 (New. 2022/04/18)

## READ AND SAVE THESE INSTRUCTIONS

**WARNING! SHUT POWER OFF AT FUSE OR CIRCUIT BREAKER.**

**AVERTISSEMENT! COUPER LE COURANT AU NIVEAU DES FUSIBLES OU DU DISJONCTEUR.**

### PREPARATION (Fig. 1)

1. Shut off power at the fuse box or circuit breaker box and remove the old fixture including the mounting hardware.
2. Carefully unpack your new fixture and lay out all the parts in a clean area. Take care not to misplace any small parts necessary for installation.
3. Thread two mounting screws (A) into pre-drilled hole in circular strap (B). Spaced same distance apart as holes in canopy (D). The length of screws (A) may be adjusted if necessary.
4. Attach circular strap (B) to Junction box (not included) using mounting screws (C) (Size: #8-32N\*L0.5"). The side of the circular strap (B) marked "GND" must face out.

### CONNECTING THE WIRES (Fig. 2)

5. At this point, connect the electrical wires as shown in figure 2, making sure that all wire connectors are secured. If your outlet has a ground wire (green or bare copper), connect the fixture's ground wire to it. Otherwise, connect the fixture's ground wire directly to circular strap (B) using green screw provided.

### COMPLETING THE INSTALLATION (Fig. 1)

6. Place fixture body (D) onto mounting screws (A) and secure with knurled knobs (E).
7. Place glass shade (G) over socket (F) and secure with screw shell (H).
8. Install (2) two candelabra base bulbs (I) up to 60 watts each or CFL or LED equivalent (not included) in accordance with the fixture specification—**DO NOT EXCEED THE MAXIMUM WATTAGE RATING! (NE PAS DEPASSER LA PUISSANCE NOMINALE MAXIMALE!)**

Fig. 1

Set# A-020  
-Circular Strap  
-Ground Screw  
-Mounting Screw\*2

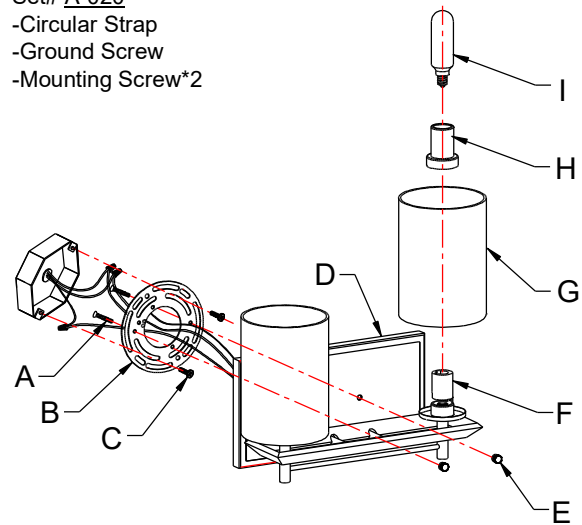
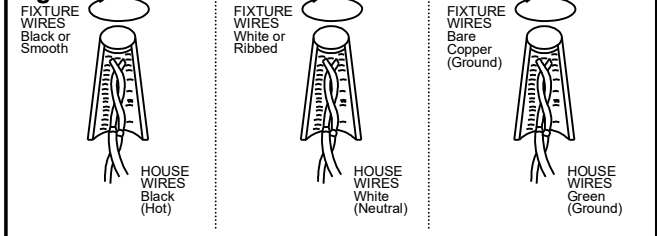


Fig. 2



Your installation is now complete. Return power to the junction box and test the fixture.

**Note: Illustration (Fig. 1) on this manual is for installation purposes only. It may or may not be identical to the fixture purchased.**