

INSTALLATION INSTRUCTIONS FOR N7951-713-L

READ AND SAVE THESE INSTRUCTIONS

WARNING! SHUT POWER OFF AT FUSE OR CIRCUIT BREAKER
AVERTISSEMENT! COUPER LE COURANT AU NIVEAU DES FUSIBLES OU DO DISJONCTEU

MOUNTING THE FIXTURE, HARDWIRE (Fig. 1)

1. Shut off power at the fuse box or circuit breaker box and remove the old fixture including the mounting hardware.
2. Carefully unpack your new fixture and lay out all the parts in a clean area. Take care not to misplace any small parts necessary for installation.
3. Attach the mounting plate (B) to the junction box (A), not included, using the screws (C) (size: #8-32N*1.5/8"). The side of the mounting plate (B) marked "GND" must face out.

CONNECTING THE WIRES (Fig. 2)

4. Connect the electrical wires as shown in Fig.2. Make sure that all wire connectors are secured. If your outlet has a ground wire (green or bare copper), connect the fixture's ground wire to it. Otherwise, connect the fixture's ground wire directly to the mounting plate (B) using the green screw (D) provided. Tuck the wire connections neatly into the junction box.
5. Place fixture body over the mounting plate (B) and secure with screws (E).
6. Install (1) one G9 base bulb (F) up to 40 watts each or CFL or LED equivalent (included) in accordance with the fixture specification. **(DO NOT EXCEED THE SPECIFIED WATTAGE!) (NE PAS DEPASSER LA PUISSANCE NOMINALE MAXIMALE!)**

Your installation is now complete. Return power to the outlet box and test the fixture.

**IMPORTANT: FIXTURE SHOULD BE
INSTALLED BY A QUALIFIED ELECTRICIAN
TO ENSURE PROPER WIRING AND
INSTALLATION.**

Fig. 1

Set-Mounting# A-021-120110

- Mounting plate (1)
- Green screw (1)
- Mounting screw (2)

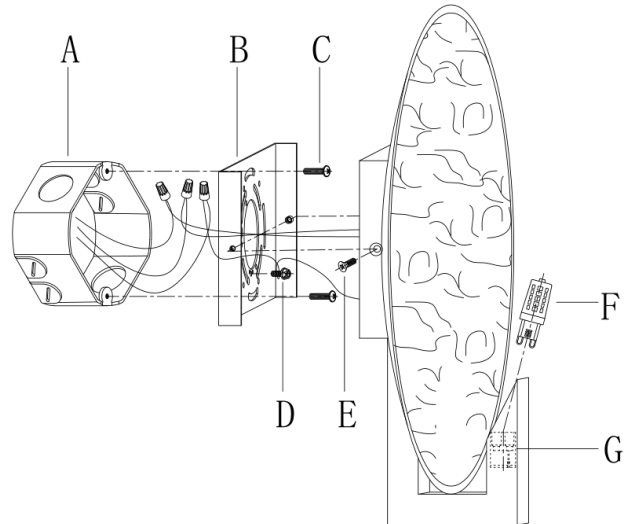


Fig. 2

