



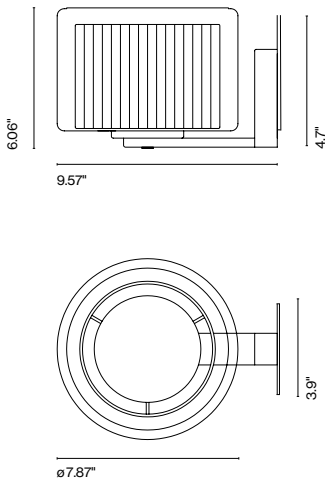
Mercer

Joan Gaspar & Javier M. Borrás

marset



Mercer A



Mercer A

E12 LED candle 5W

120 V - 60 Hz

Chromed iron wall bracket. Textile shade that floats inside a transparent blown glass structure. Opal diffuser disk over top opening.

Structure

● Chrome

Shade

● Pleated white cotton
● Pearl white



Dry locations only

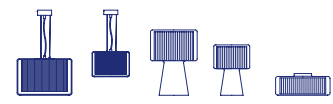
Wall mount only

[Download](#) Assembly Instructions

[Download](#) 2D

[Download](#) 3D

Range



⚠ WARNING. California Proposition 65 Warning for California Consumers. This product can expose you to chemicals including wood dust and lead which are known to the State of California to cause cancer or birth defects or other reproductive harm. For more information go to www.P65Warnings.ca.gov

marsetusa@marset.com
www.marset.com

The fusion of different materials achieves a spectacular result due to its textile shade floating in a transparent blown glass structure.