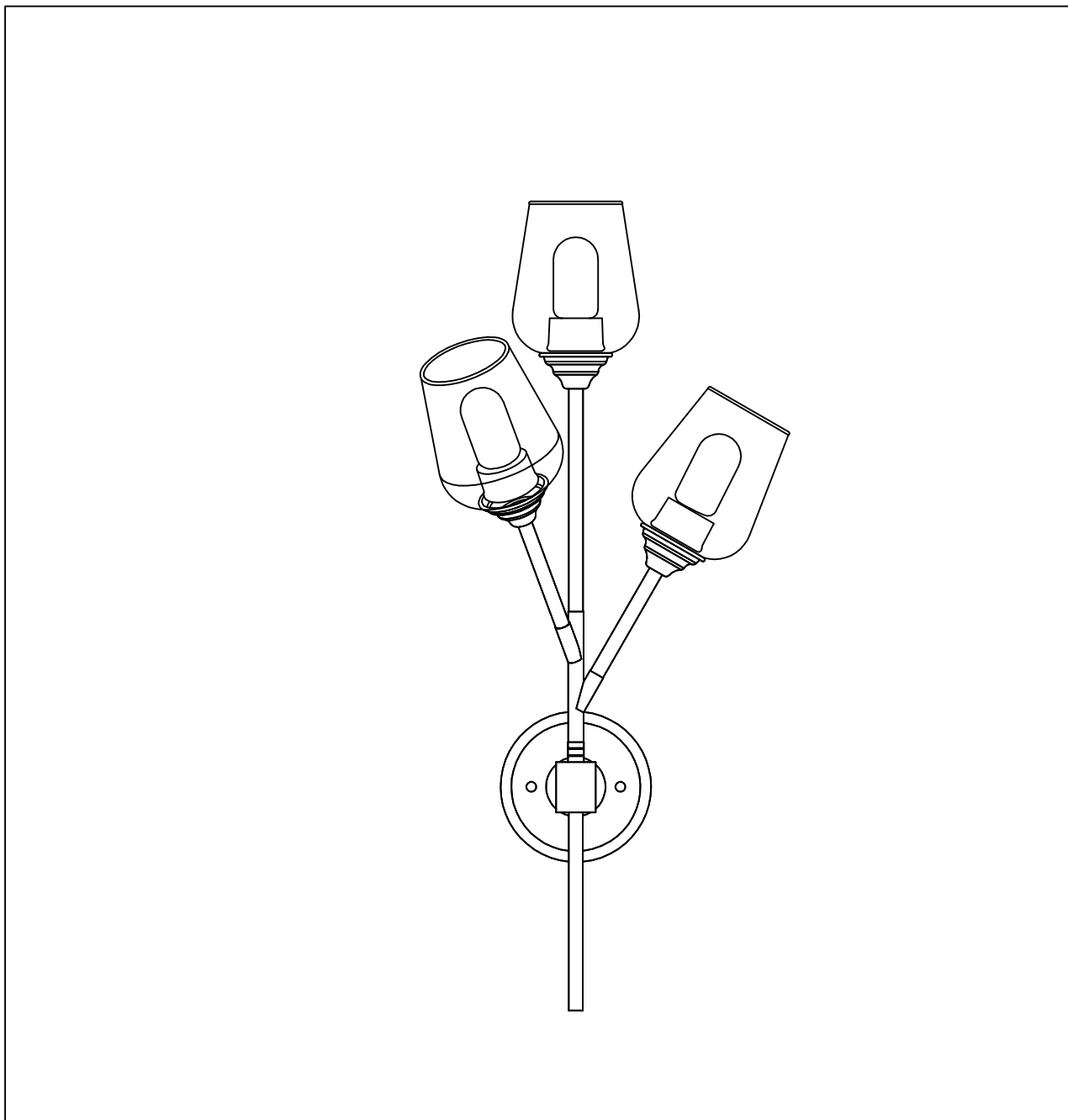




PRODUCT NAME: Savvy 3LT Wall Sconce  
NUMBER: 26341CLABBK

Please consult your electrician for Hang fixture and wiring.



**Bulb(included) : 3\*MB 60W**

MADE IN CHINA

Page 1 of (3)

**IMPORTANT:** Turn off power at the main fuse or circuit breaker box before starting installation



(A) Bracket



(B) Ball nut



(C) Body

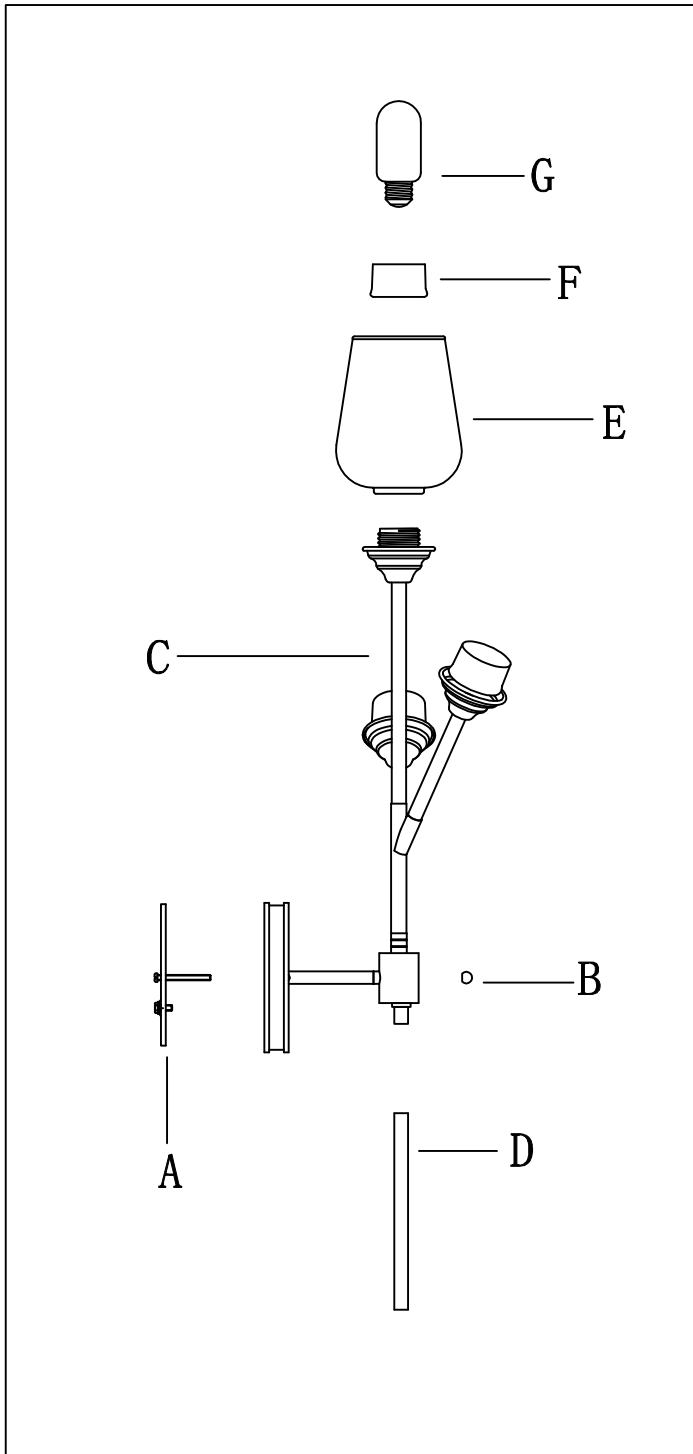


(D) Finial

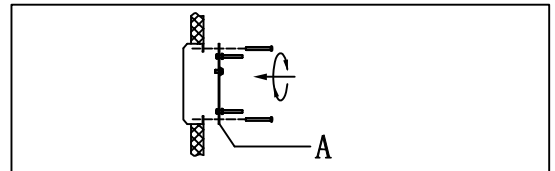


(E) Glass

**Locate all hardware & components before discarding packaging**

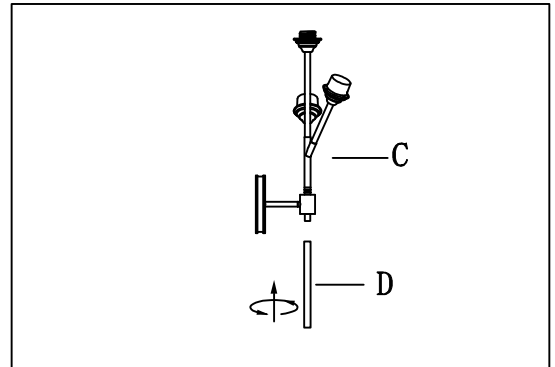


1.)



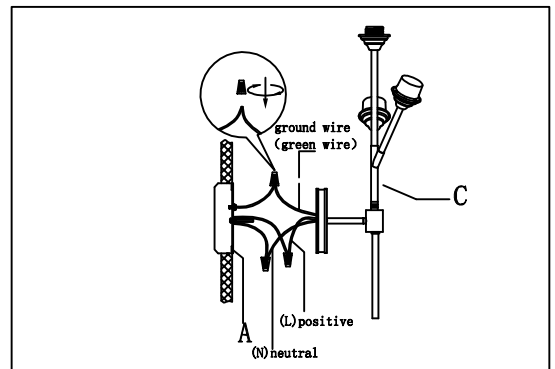
**Step. 1:** Remove mounting bracket (A) from fixture and install to electrical box.

2.)



**Step. 2:** Screw Stem (D) on body (C).

3.)

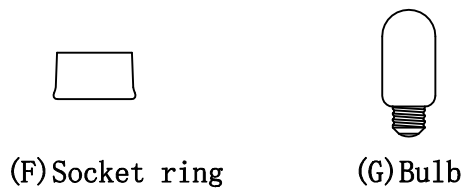


**Step. 3:** Wire fixture to wires in outlet box. Copper/Green wire is for Ground.

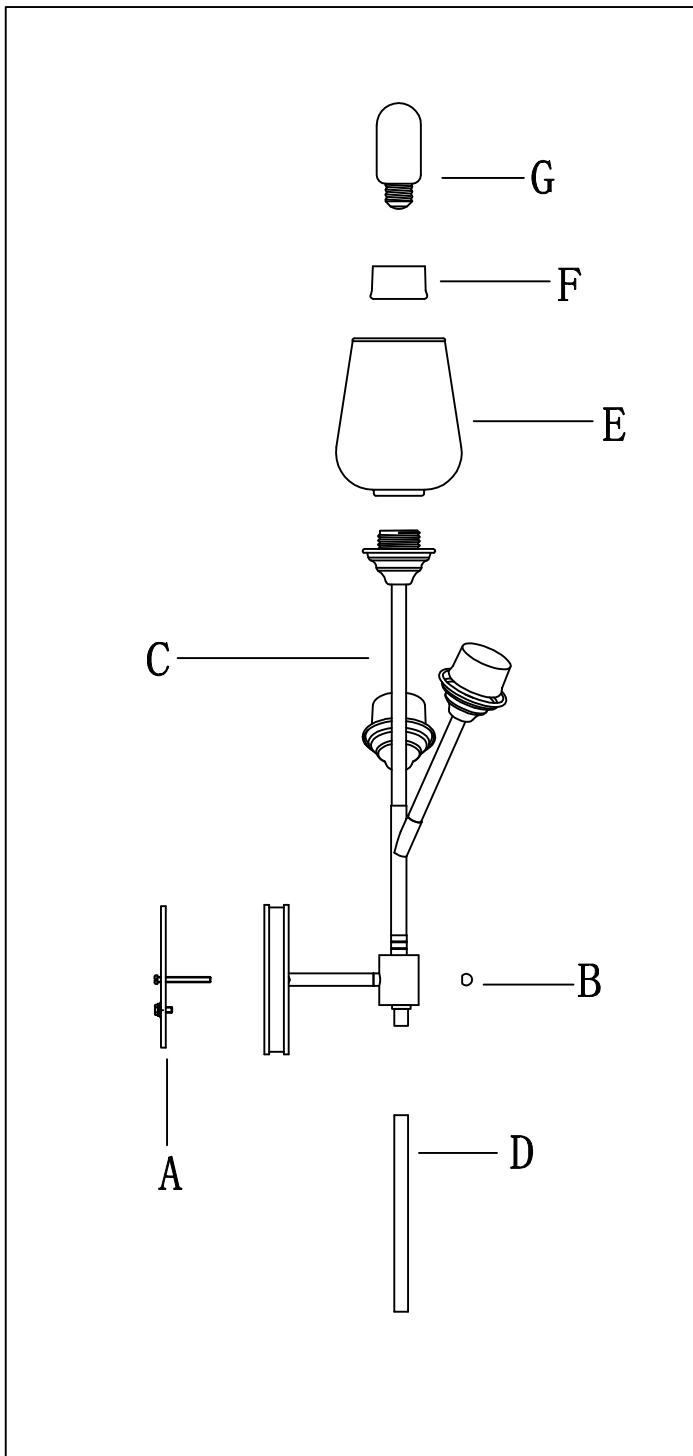
**Cleaning & Care:**

Clean with soft cloth and a mild detergent.  
Do not use abrasive cleaner.

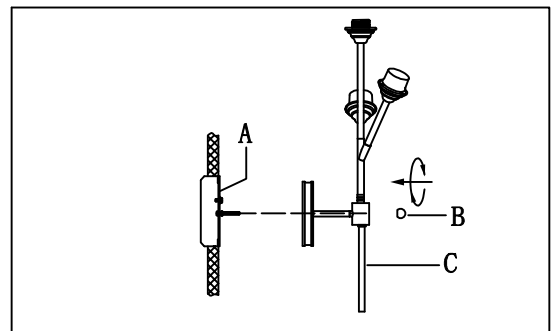
**IMPORTANT:** Turn off power at the main fuse or circuit breaker box before starting installation



**Locate all hardware & components before discarding packaging**

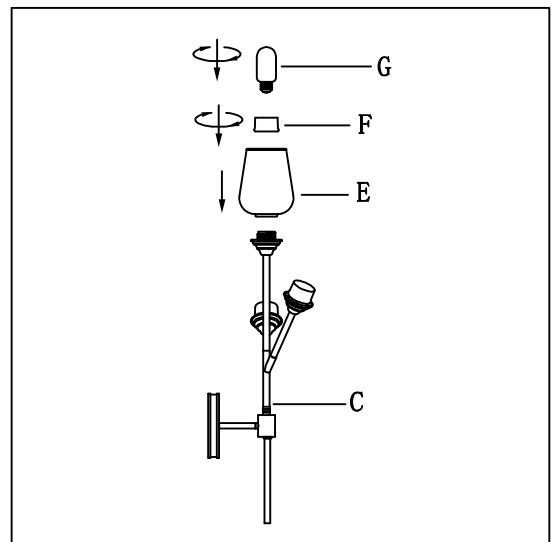


4.)



**Step. 4:** Install fixture to bracket (A) and tighten ball nuts (B) on the back plate to secure.

5.)



**Step. 5:** Use socket ring (F) to secure the glass (E), then install the bulb (G).

**Cleaning & Care:**

Clean with soft cloth and a mild detergent.  
Do not use abrasive cleaner.