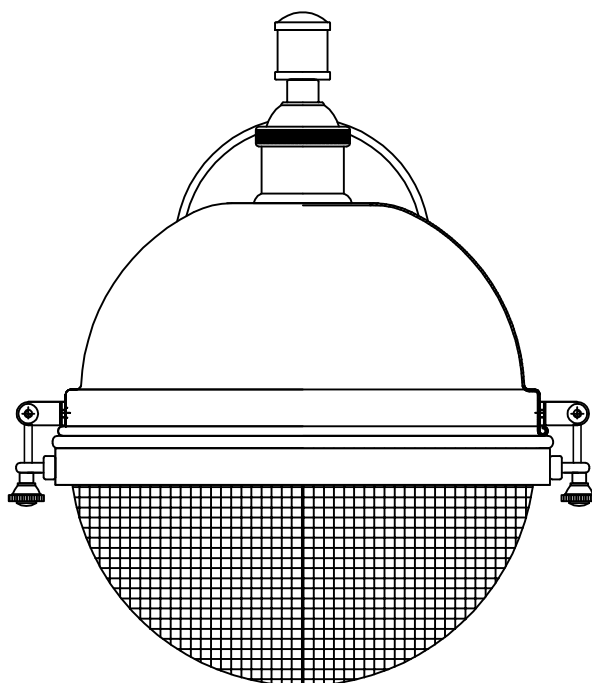




PRODUCT NAME: Portside 1-Light Outdoor Wall Sconce
NUMBER: 10186

Please consult your electrician for Hang fixture and wiring.



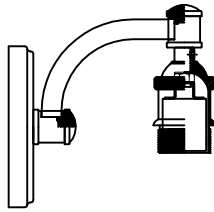
Sealing completely around the area where canopy meets the wall surface with silicone sealant compound to prevent water from seeping into the outlet box.

Bulb (Not included) : 1*MB 60W

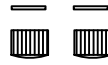
IMPORTANT: Turn off power at the main fuse or circuit breaker box before starting installation



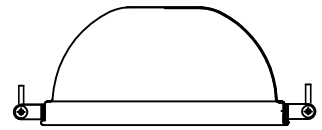
(A) Bracket



(B) Body

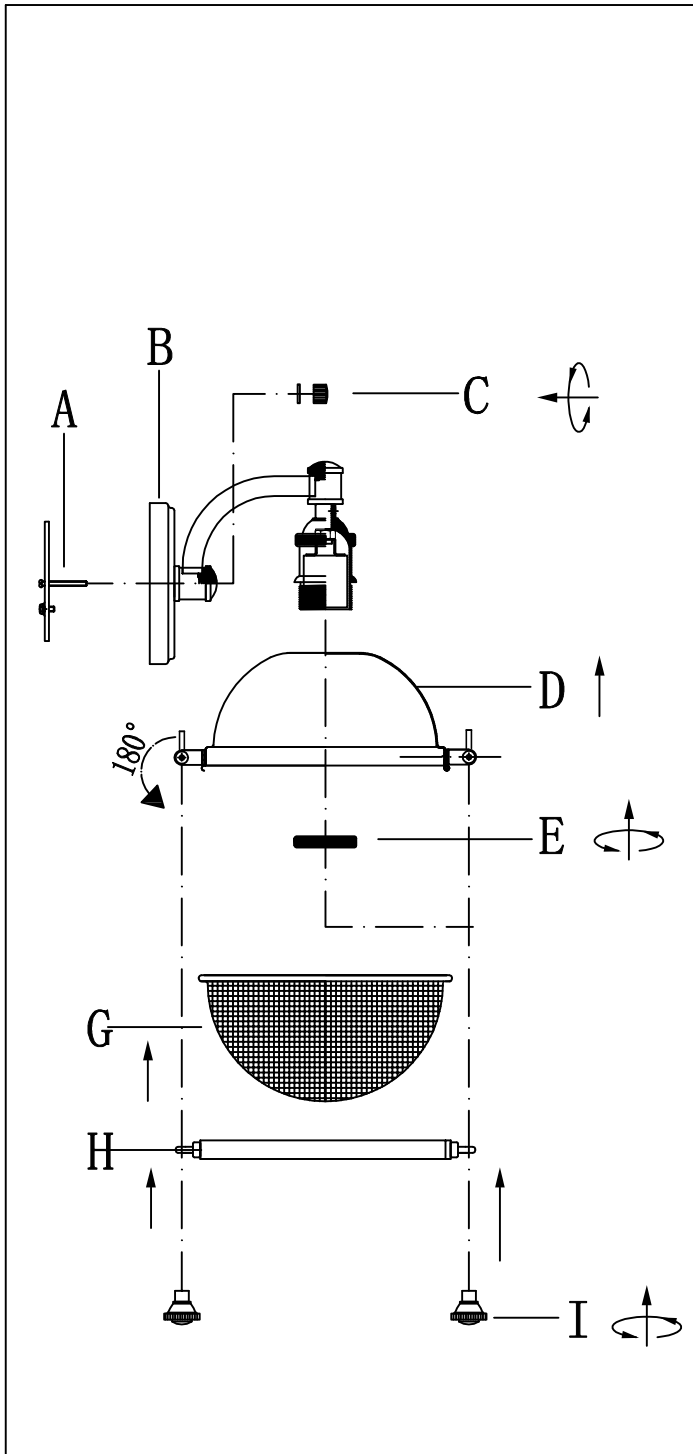


(C) Ball nut



(D) Shade

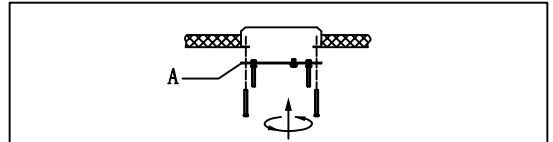
Locate all hardware & components before discarding packaging



Cleaning & Care:

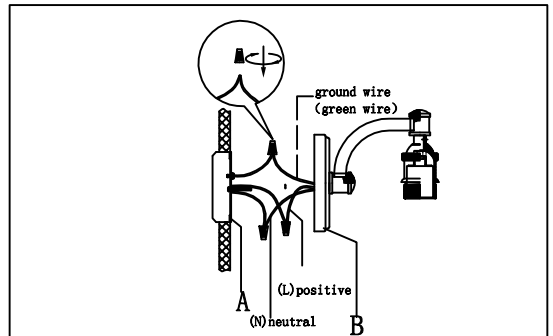
Clean with soft cloth and a mild detergent.
Do not use abrasive cleaner.

1.)



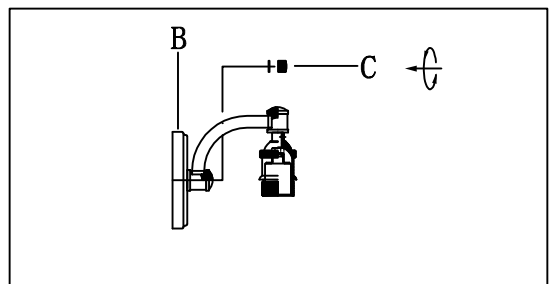
Step 1: Remove mounting bracket (A) from fixture and install to electrical box.

2.)



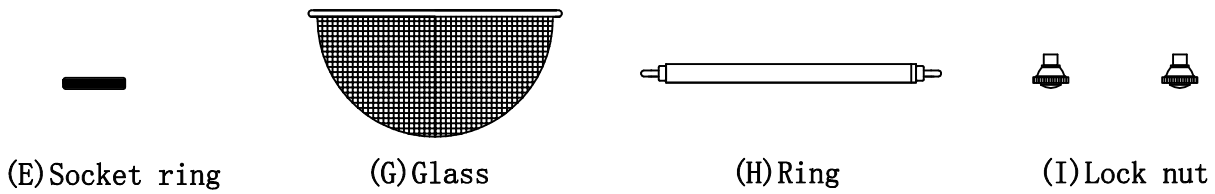
Step 2: Wire fixture to wires in outlet box. Copper/Green wire is for Ground.

3.)

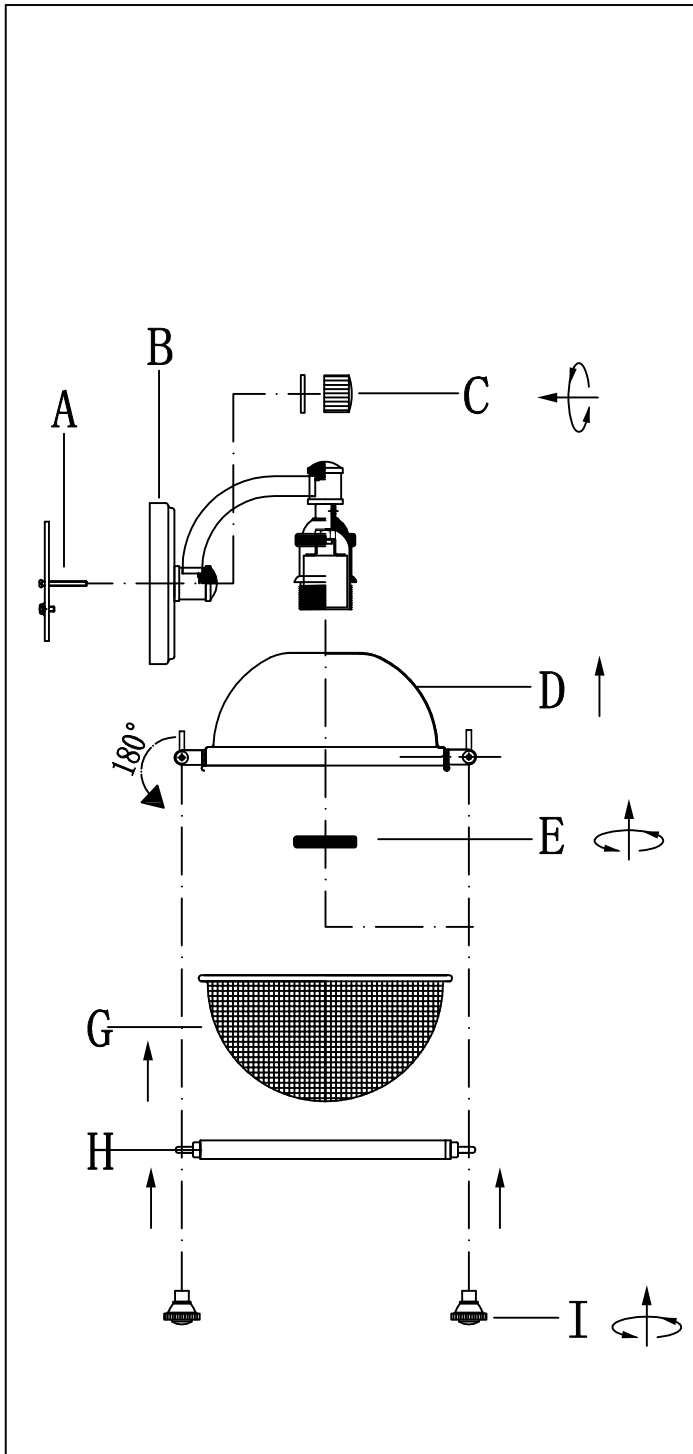


Step 3: Install fixture to bracket (A) and tighten ball nuts (C) on the backplate to secure.

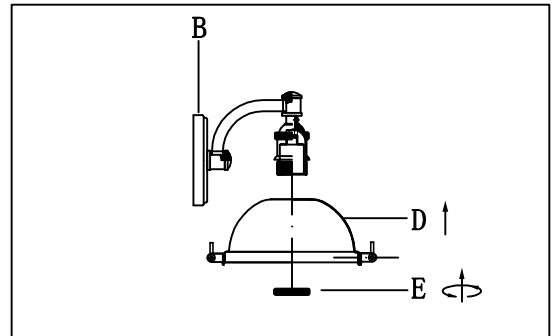
IMPORTANT: Turn off power at the main fuse or circuit breaker box before starting installation



Locate all hardware & components before discarding packaging

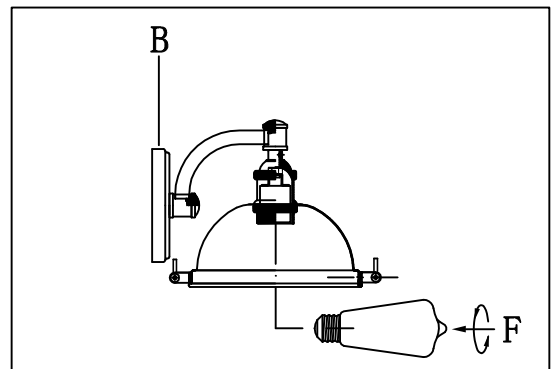


4.)



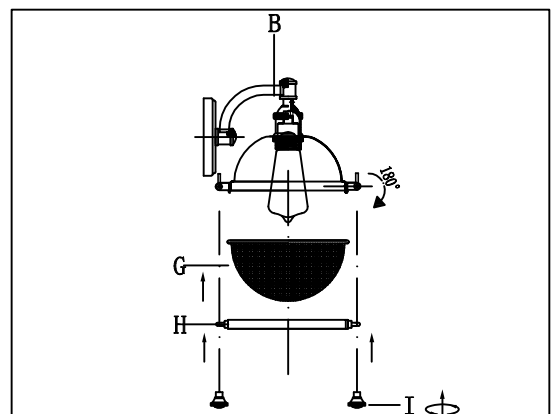
Step 4: Screw up socket ring (E) to secure shade (D) on the socket.

5.)



Step 5: Install the bulb.

6.)



Step 6: Put glass (G) on the ring (H), and use the nut (I) to secure the glass on the shade.

Cleaning & Care:

Clean with soft cloth and a mild detergent.
Do not use abrasive cleaner.