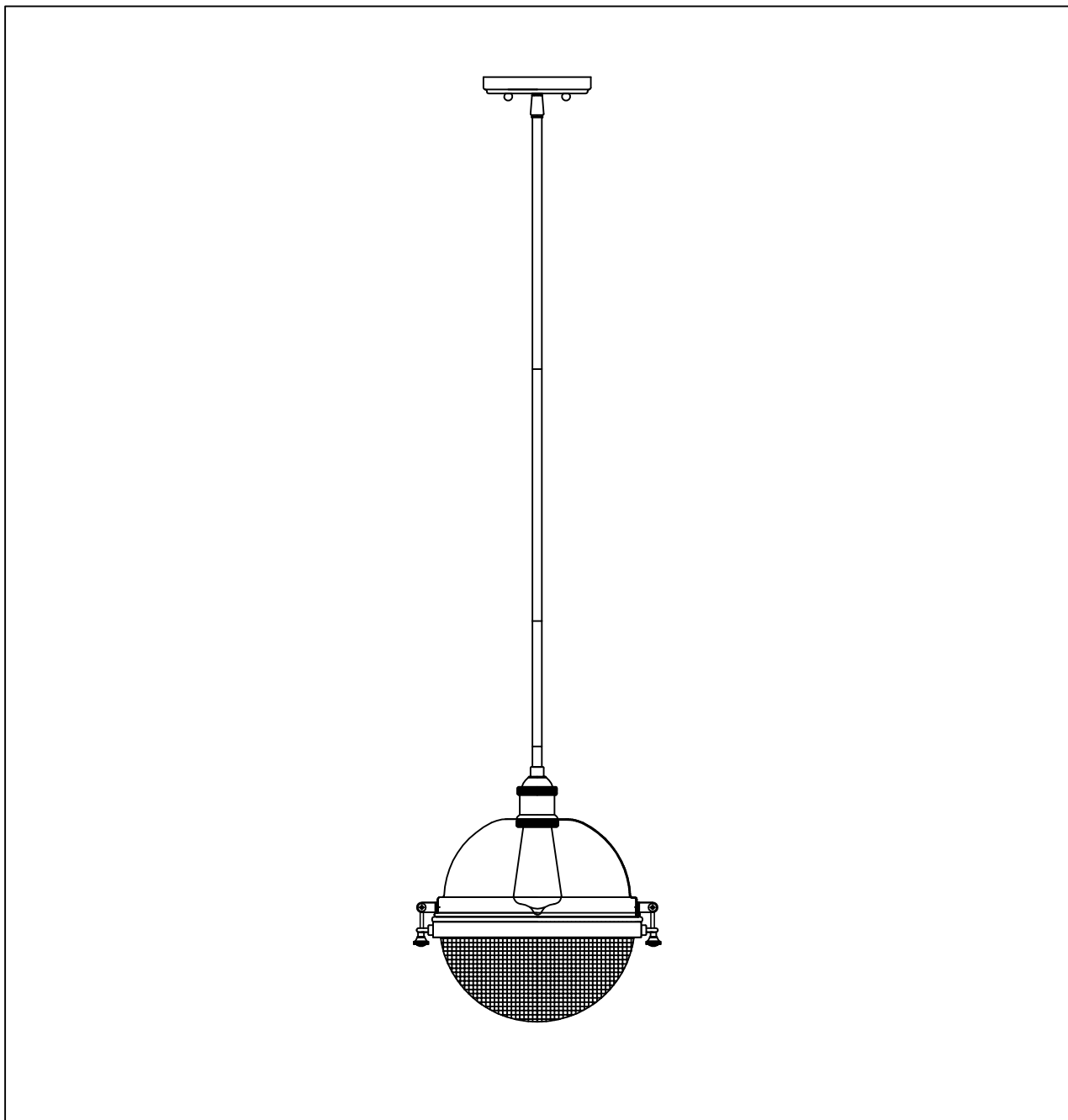




PRODUCT NAME: Portside 1-Light Outdoor Pendant
NUMBER: 10187

Please consult your electrician for Hang fixture and wiring.



Bulb (Not included) : 1*MB 60W

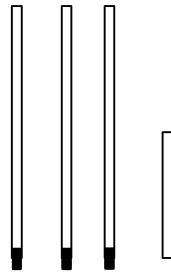
IMPORTANT: Turn off power at the main fuse or circuit breaker box before starting installation



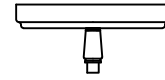
(A) Bracket



(B) Body&Socket

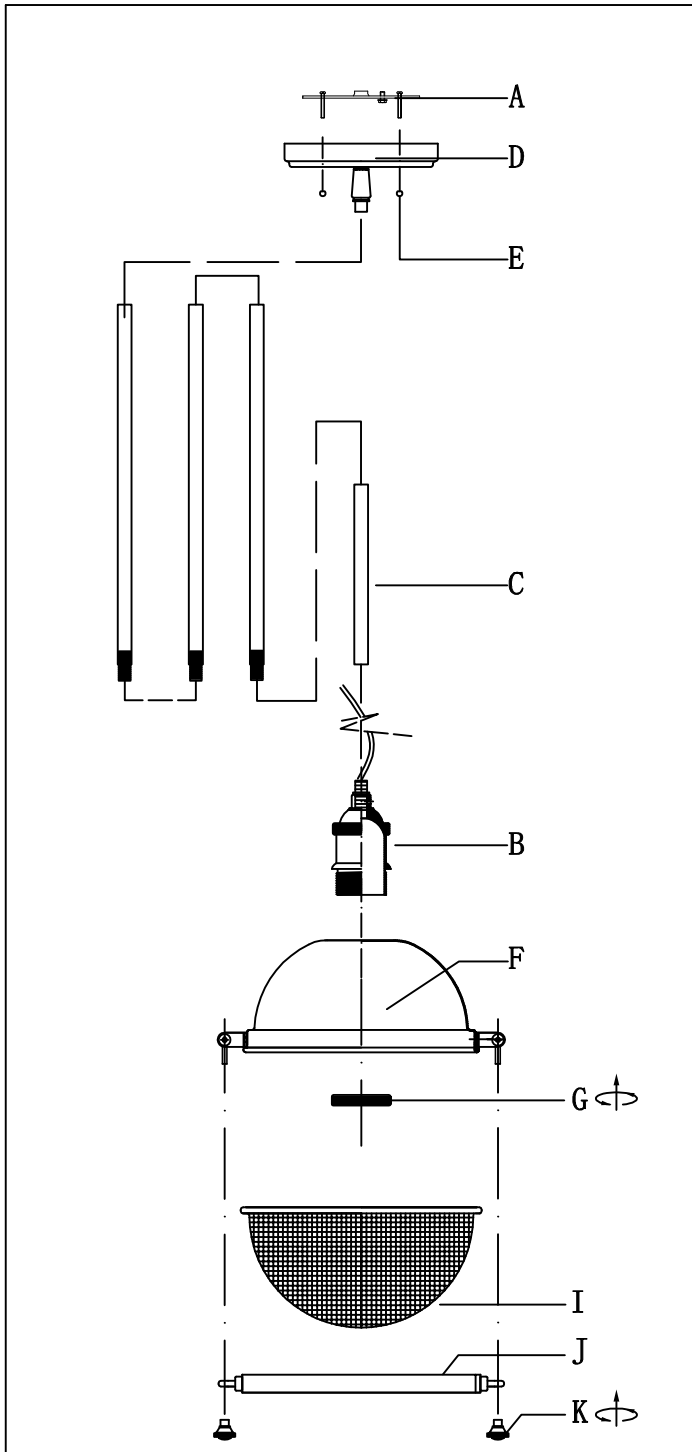


(C) Stems



(D) Canopy

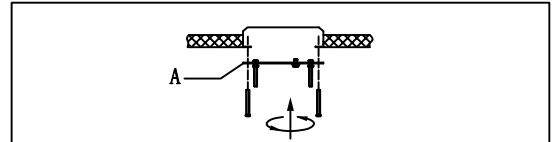
Locate all hardware & components before discarding packaging



Cleaning & Care:

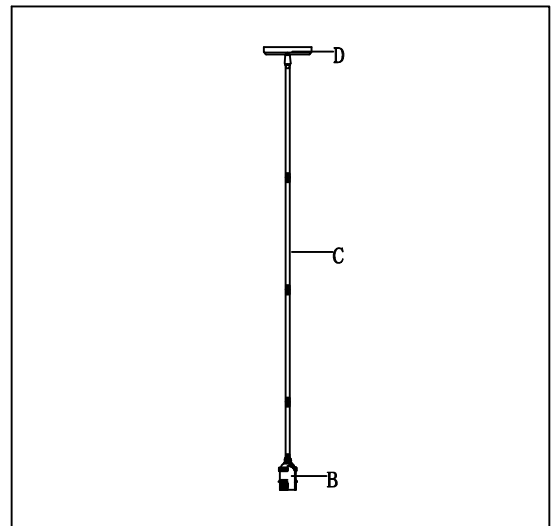
Clean with soft cloth and a mild detergent.
Do not use abrasive cleaner.

1.)



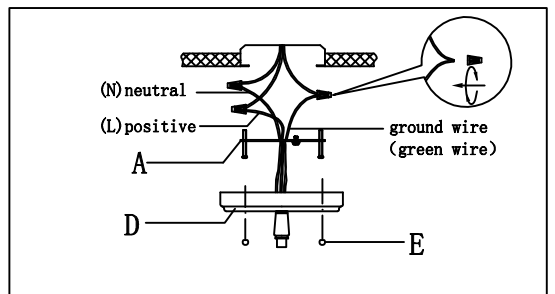
Step. 1: Remove mounting bracket (A) from fixture and install to electrical box.

2.)



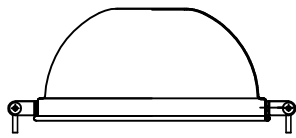
Step. 2: Run wire through stems and Chain (C) and combine Chain lengths to meet desired mounting height.

3.)



Step. 3: Wire fixture to wires in outlet box. Copper/Green wire is for Ground.

IMPORTANT: Turn off power at the main fuse or circuit breaker box before starting installation



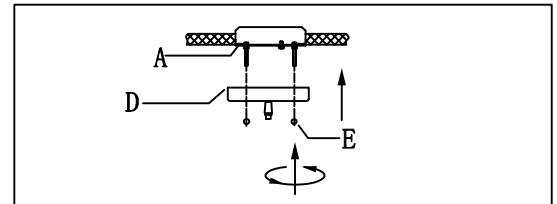
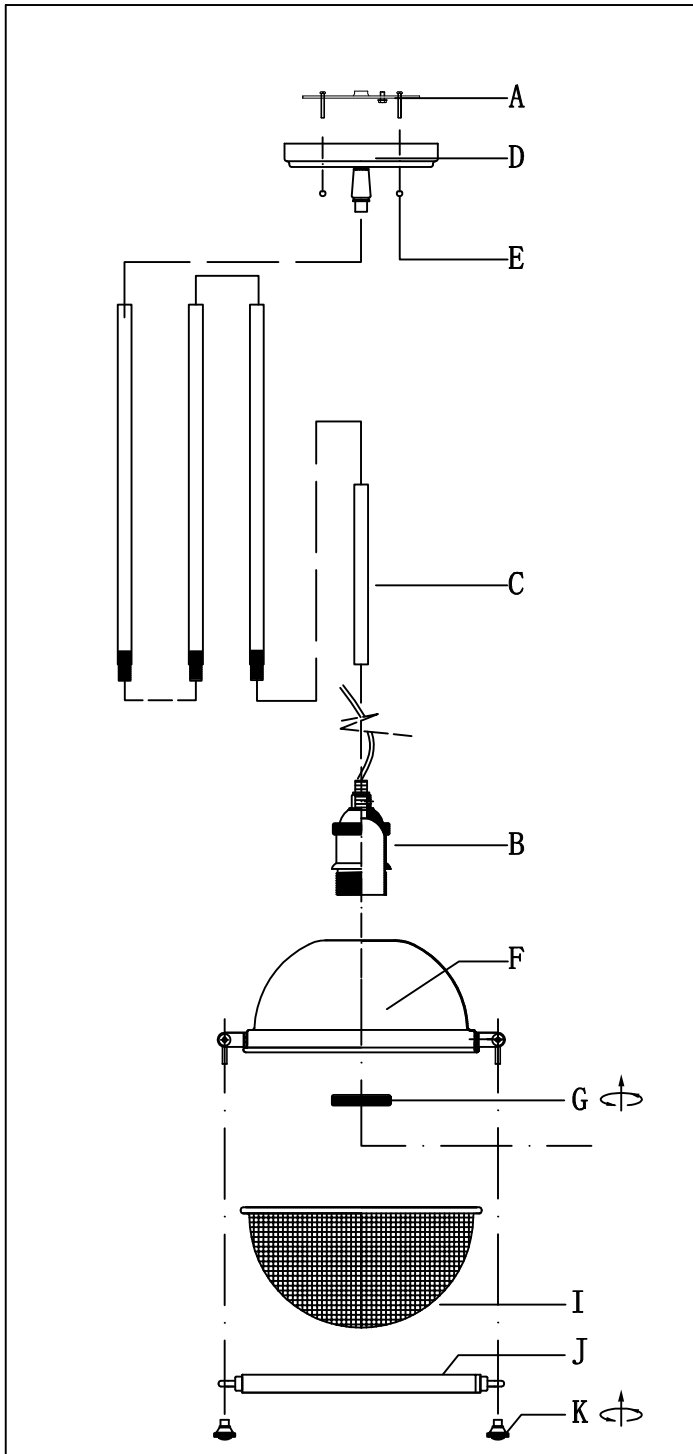
(E) Ball nut

(F) Shade



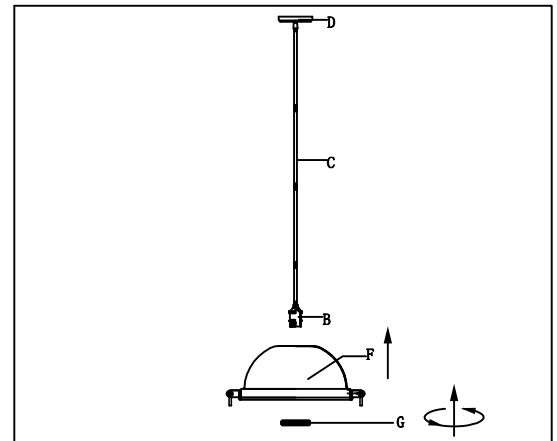
(G) Socket ring

Locate all hardware & components before discarding packaging



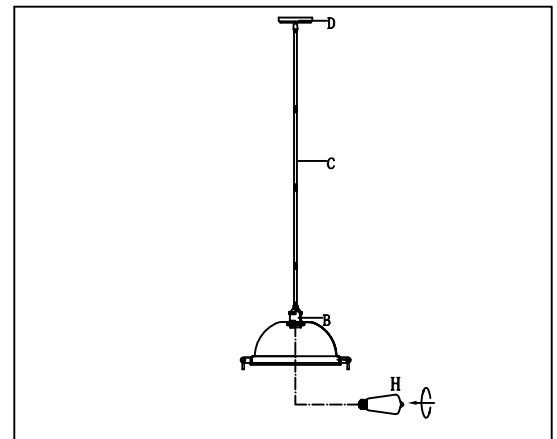
4.)

Step. 4: Install fixture to bracket and tighten ball nuts (E) on the canopy to secure.



5.)

Step. 5: Use the socket ring (G) to lock shade (F) on the socket.



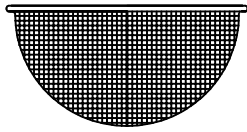
6.)

Step. 6: Install the bulb.

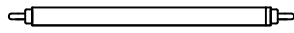
Cleaning & Care:

Clean with soft cloth and a mild detergent.
Do not use abrasive cleaner.

IMPORTANT: Turn off power at the main fuse or circuit breaker box before starting installation



(I) Glass

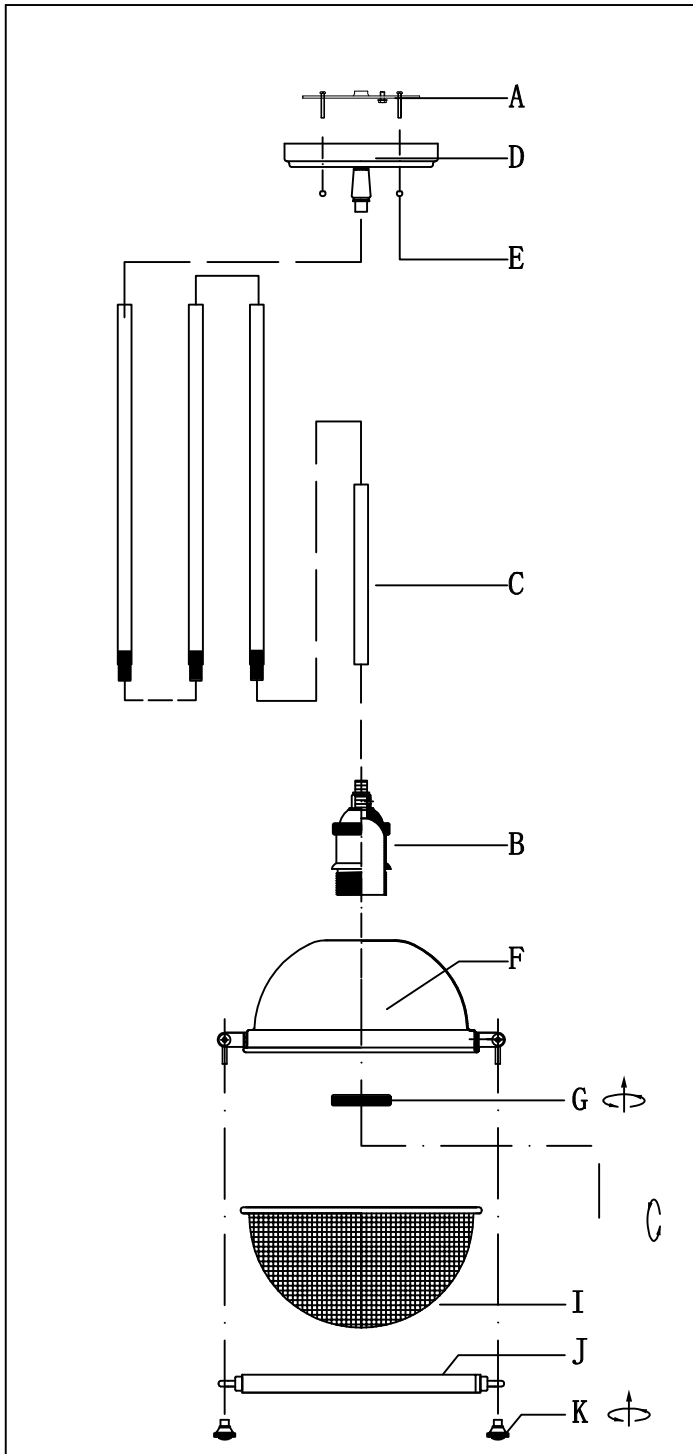


(J) Ring

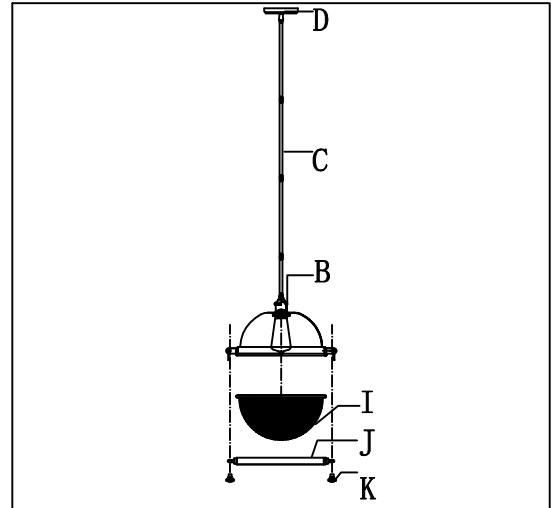


(K) Lock nut

Locate all hardware & components before discarding packaging



7.)



Step. 7: Put glass (I) on the ring (J), and use the nut (K) to lock the glass on the shade.

Cleaning & Care:

Clean with soft cloth and a mild detergent.
Do not use abrasive cleaner.