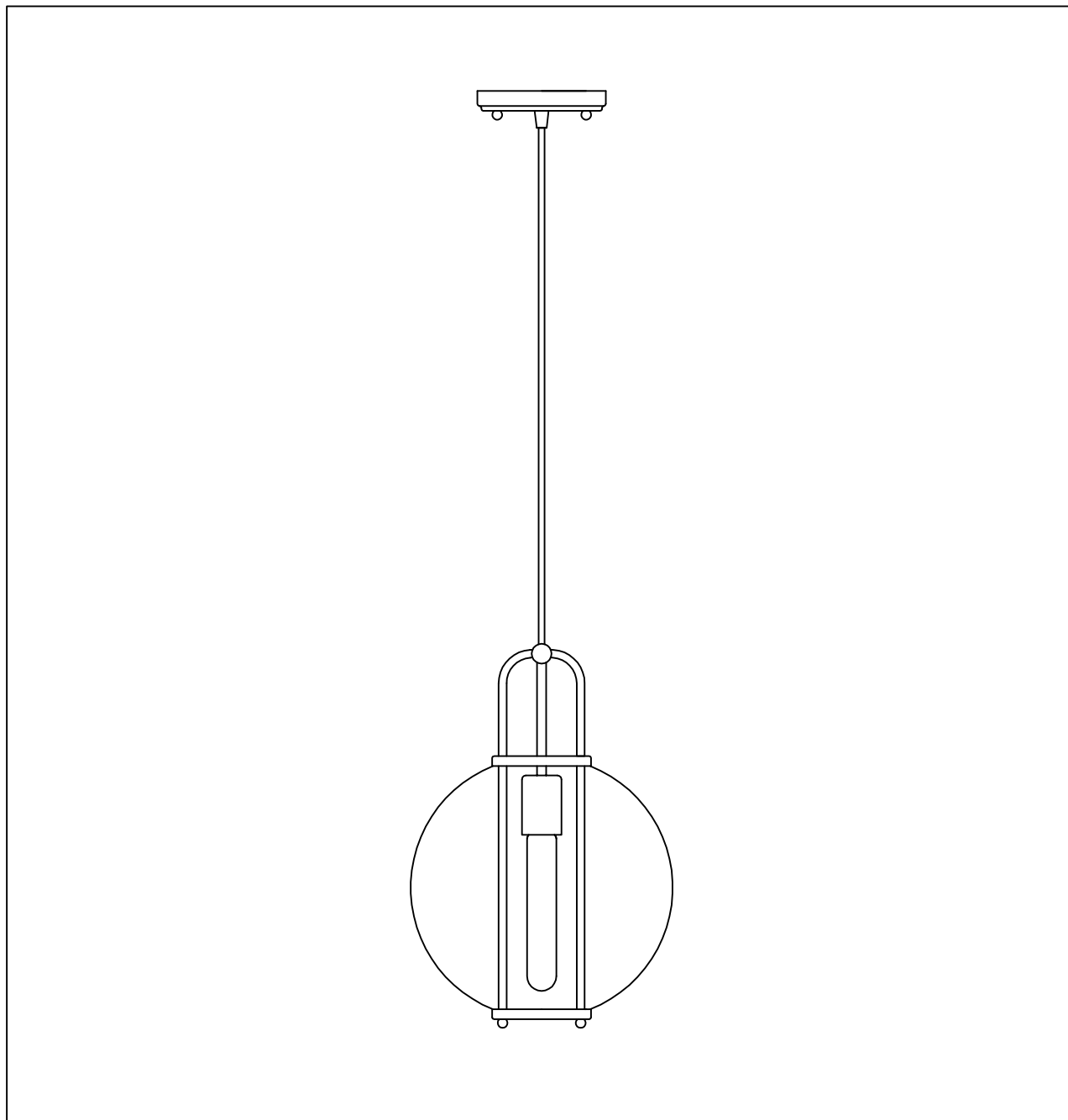




PRODUCT NAME: Minaret 1-Light Pendant  
NUMBER: 10084

Please consult your electrician for Hang fixture and wiring.



**Bulb (Not included) : 1\*MB 60W**

MADE IN CHINA

Page 1 of (3)

**IMPORTANT:** Turn off power at the main fuse or circuit breaker box before starting installation



(A) Bracket



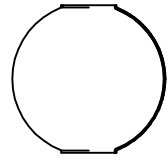
(B) Ball nut



(C) Body

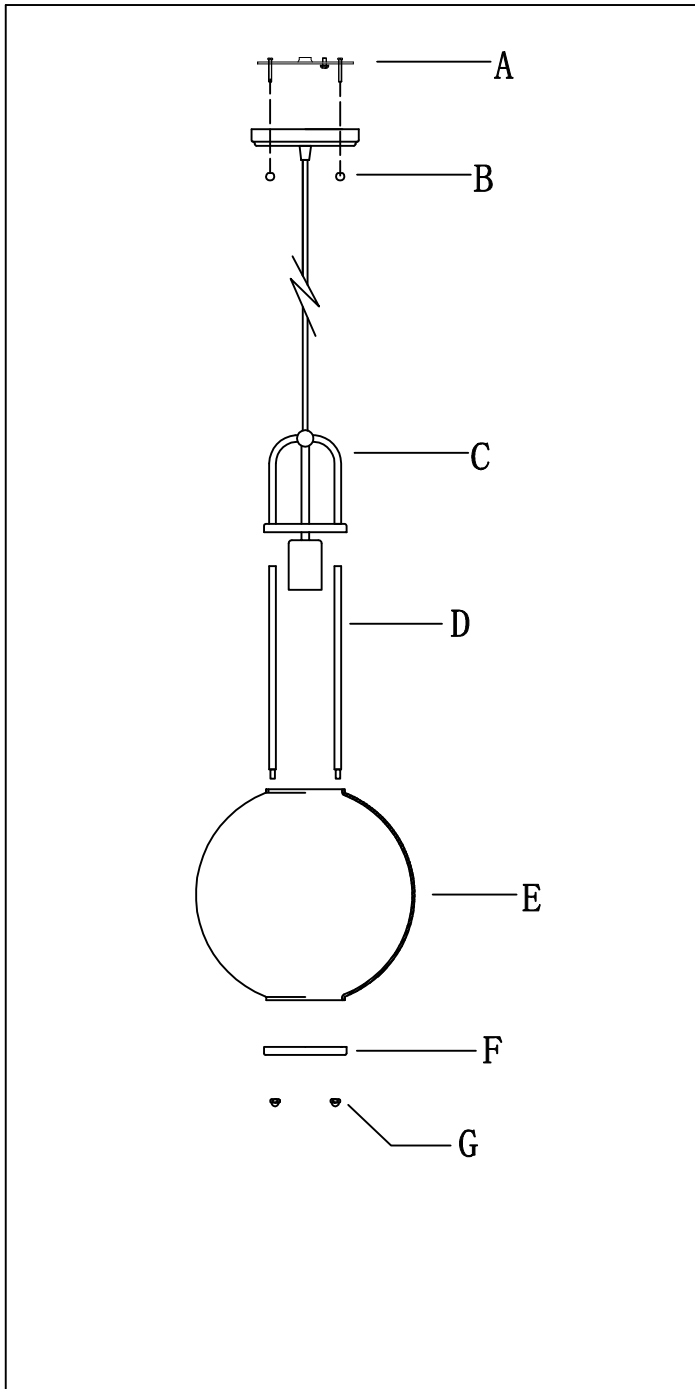


(D) Stem

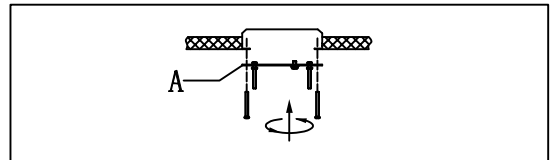


(E) Glass

**Locate all hardware & components before discarding packaging**

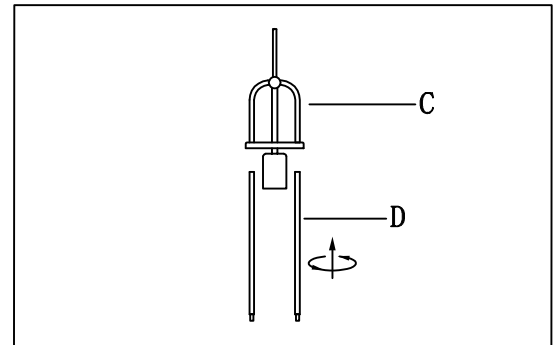


1.)



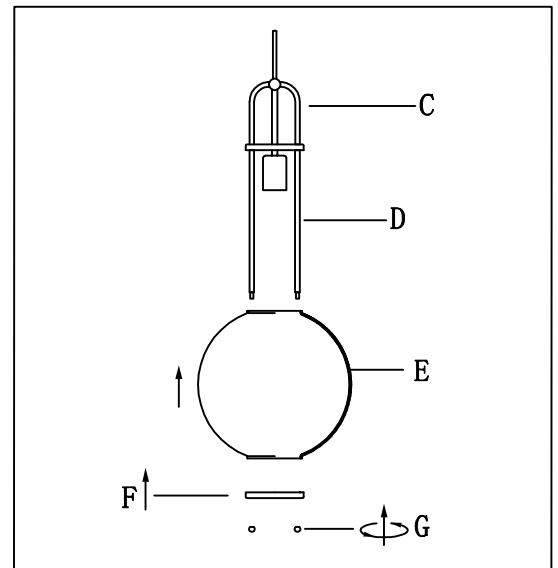
**Step. 1:** Remove mounting bracket (A) from fixture and install to electrical box.

2.)



**Step. 2:** Install stem (D) on body (C).

3.)

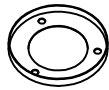


**Step. 3:** Up to install glass shade (E) on body (C), then put part (F) on the bottom of glass, and use lock nut (G) to secure glass.

**Cleaning & Care:**

Clean with soft cloth and a mild detergent.  
Do not use abrasive cleaner.

**IMPORTANT:** Turn off power at the main fuse or circuit breaker box before starting installation

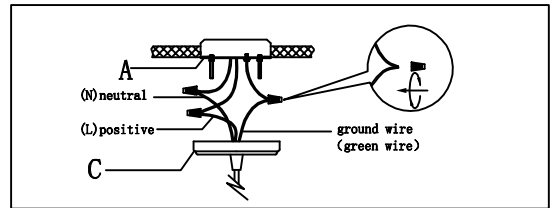
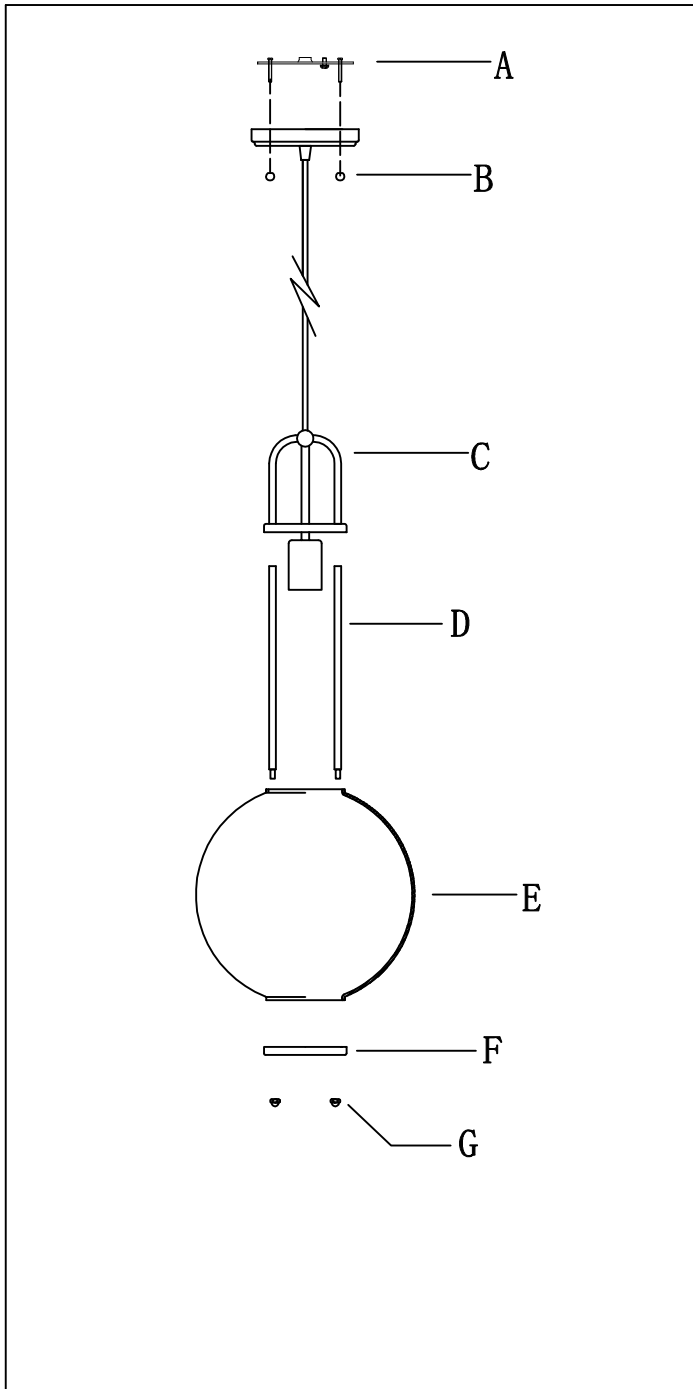


(F) Part



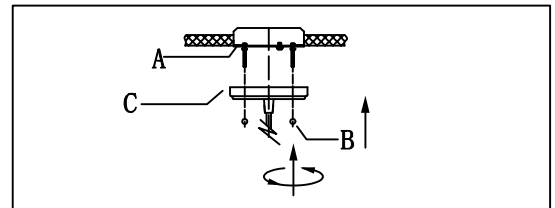
(G) Lock nut

**Locate all hardware & components before discarding packaging**



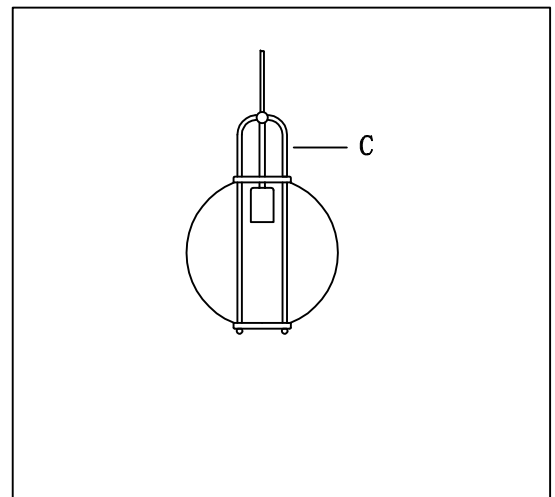
4.)

**Step. 4:** Wire fixture to wires in outlet box. Copper/Green wire is for Ground.



5.)

**Step. 5:** Install fixture to bracket and tighten ball nuts (B) on the canopy to secure.



6.)

**Step. 6:** Install the bulb (E)

**Cleaning & Care:**

Clean with soft cloth and a mild detergent.  
Do not use abrasive cleaner.