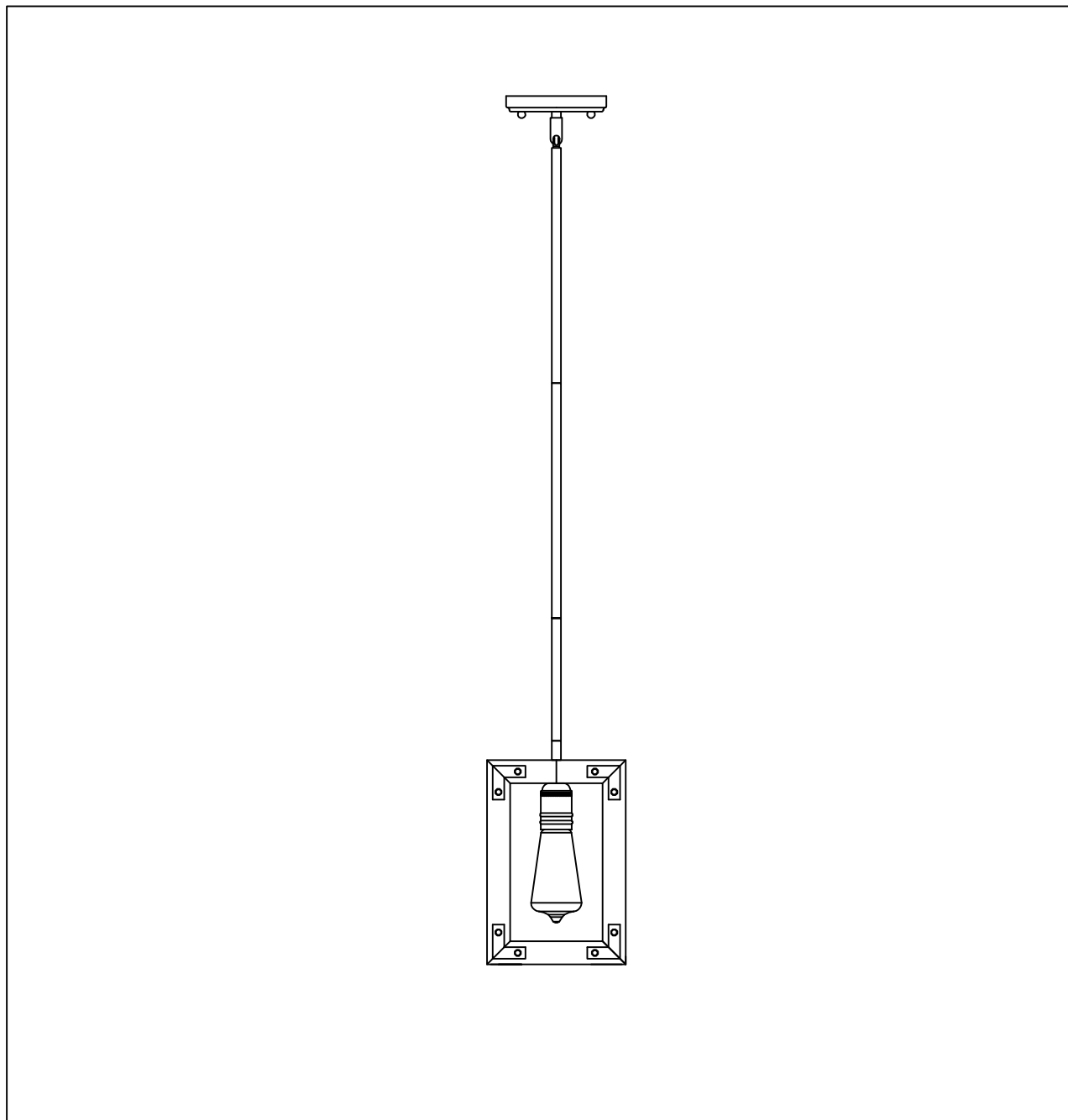




PRODUCT NAME: Lodge 1LT Pendant
NUMBER: 20331WOBZ

Please consult your electrician for Hang fixture and wiring.



Bulb(not included) :1*MB 60W

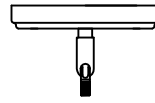
IMPORTANT: Turn off power at the main fuse or circuit breaker box before starting installation



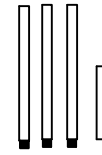
(A) Bracket



(B) Ball nut

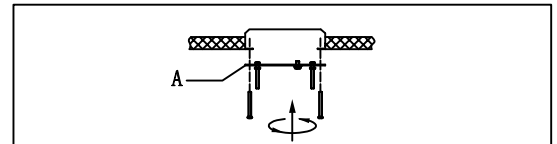
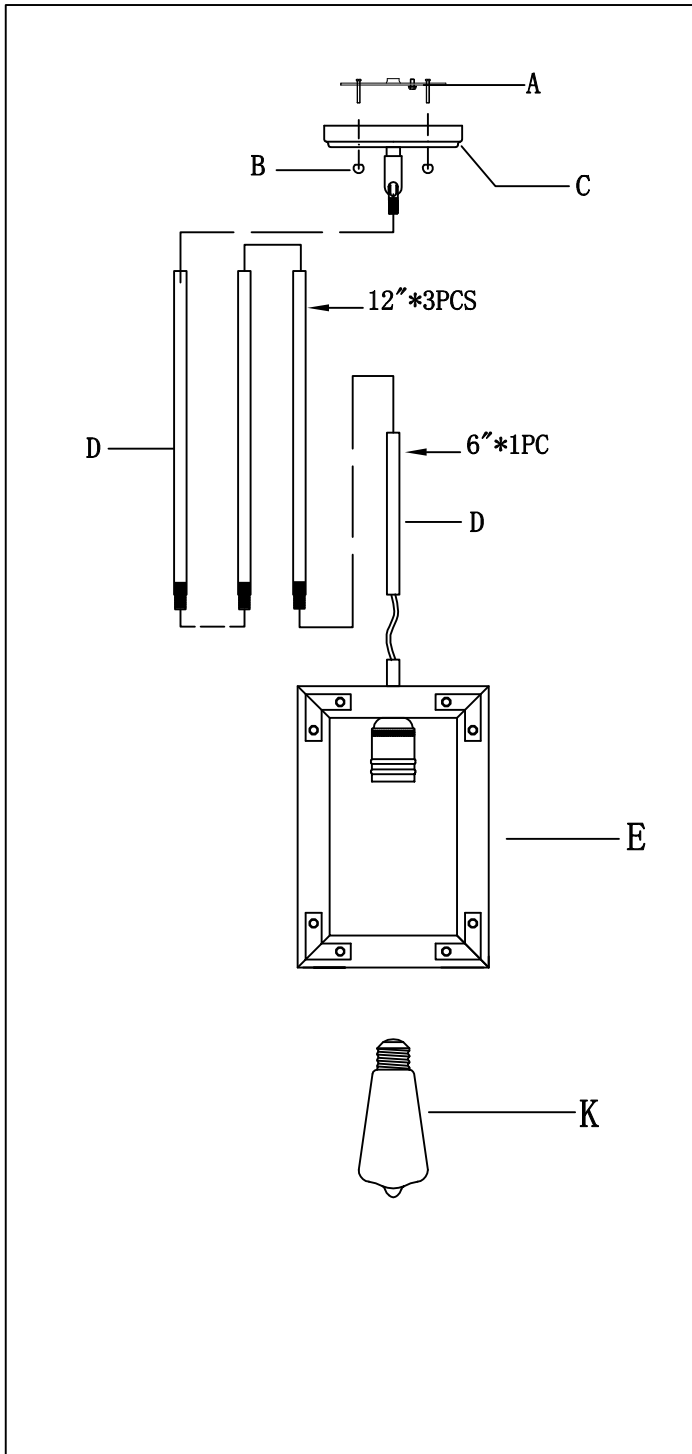


(C) Canopy



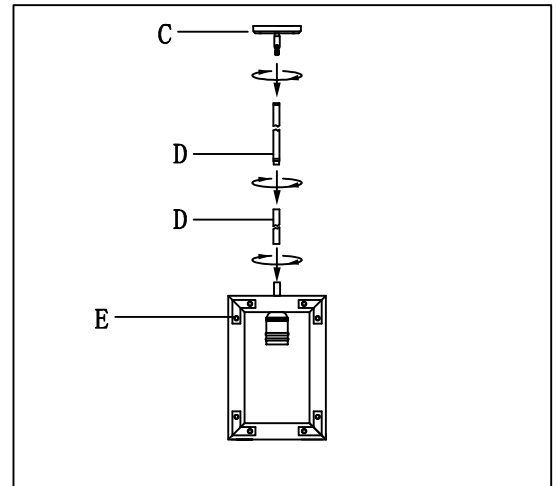
(D) Stems

Locate all hardware & components before discarding packaging



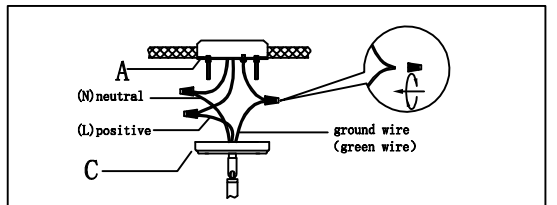
1.)

Step. 1: Remove mounting bracket (A) from fixture and install to electrical box.



2.)

Step. 2: Run wire through stems (D) and combine stem lengths to meet desired mounting height.



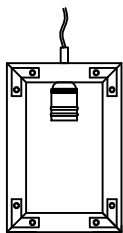
4.)

Step. 4: Wire fixture to wires in outlet box. Copper/Green wire is for Ground.

Cleaning & Care:

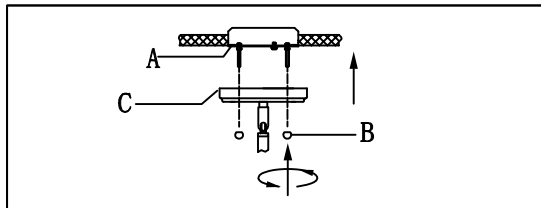
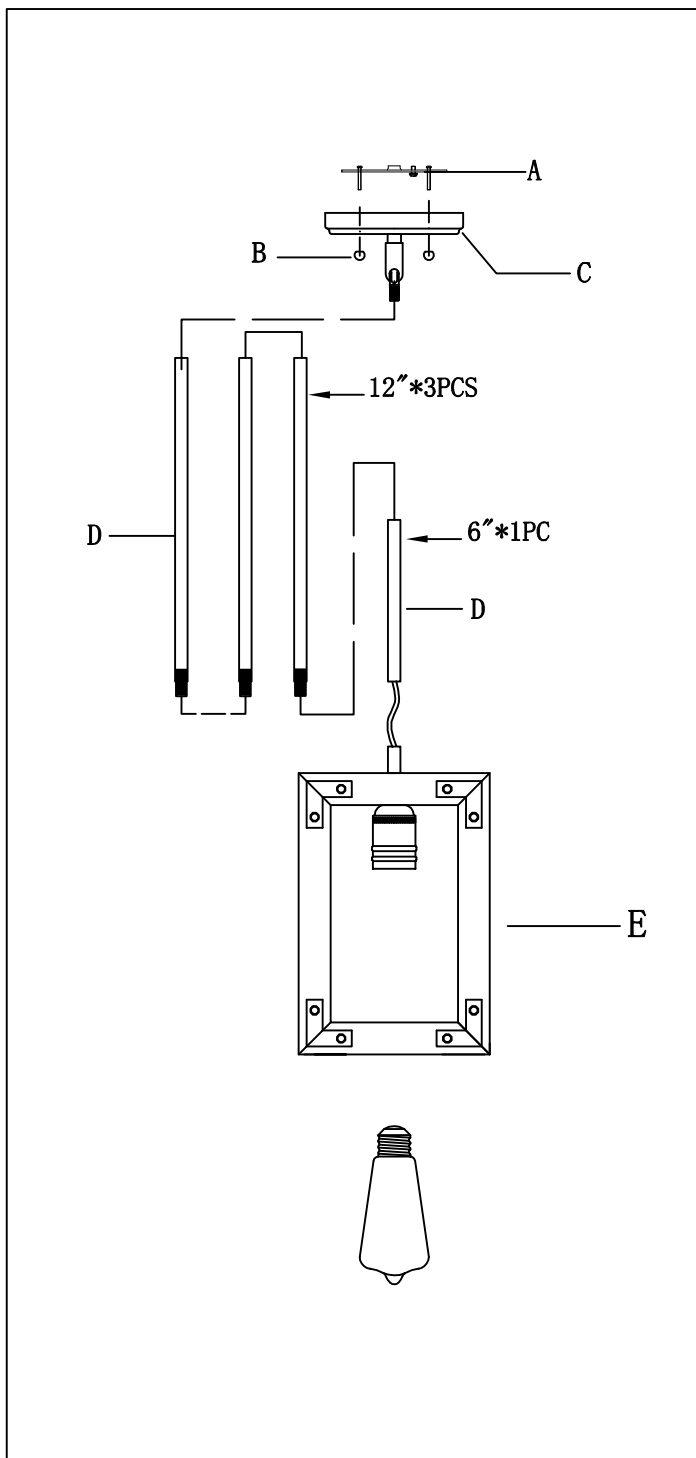
Clean with soft cloth and a mild detergent.
Do not use abrasive cleaner.

IMPORTANT: Turn off power at the main fuse or circuit breaker box before starting installation



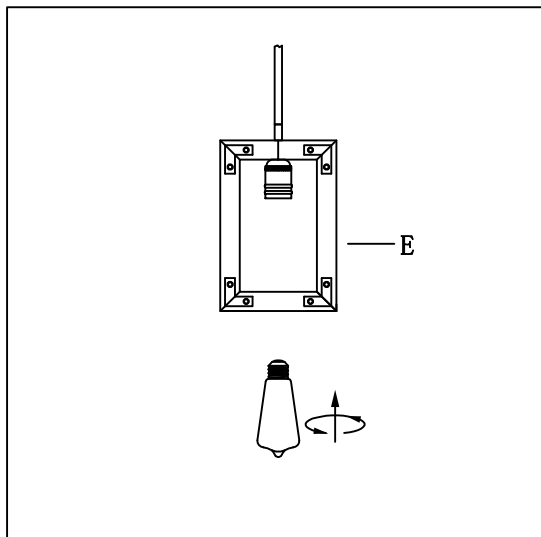
(E) Body

Locate all hardware & components before discarding packaging



5.)

Step. 5: Install fixture to bracket and tighten ball nuts (B) on the canopy to secure.



6.)

Step. 6: Install the bulb.

Cleaning & Care:

Clean with soft cloth and a mild detergent.
Do not use abrasive cleaner.