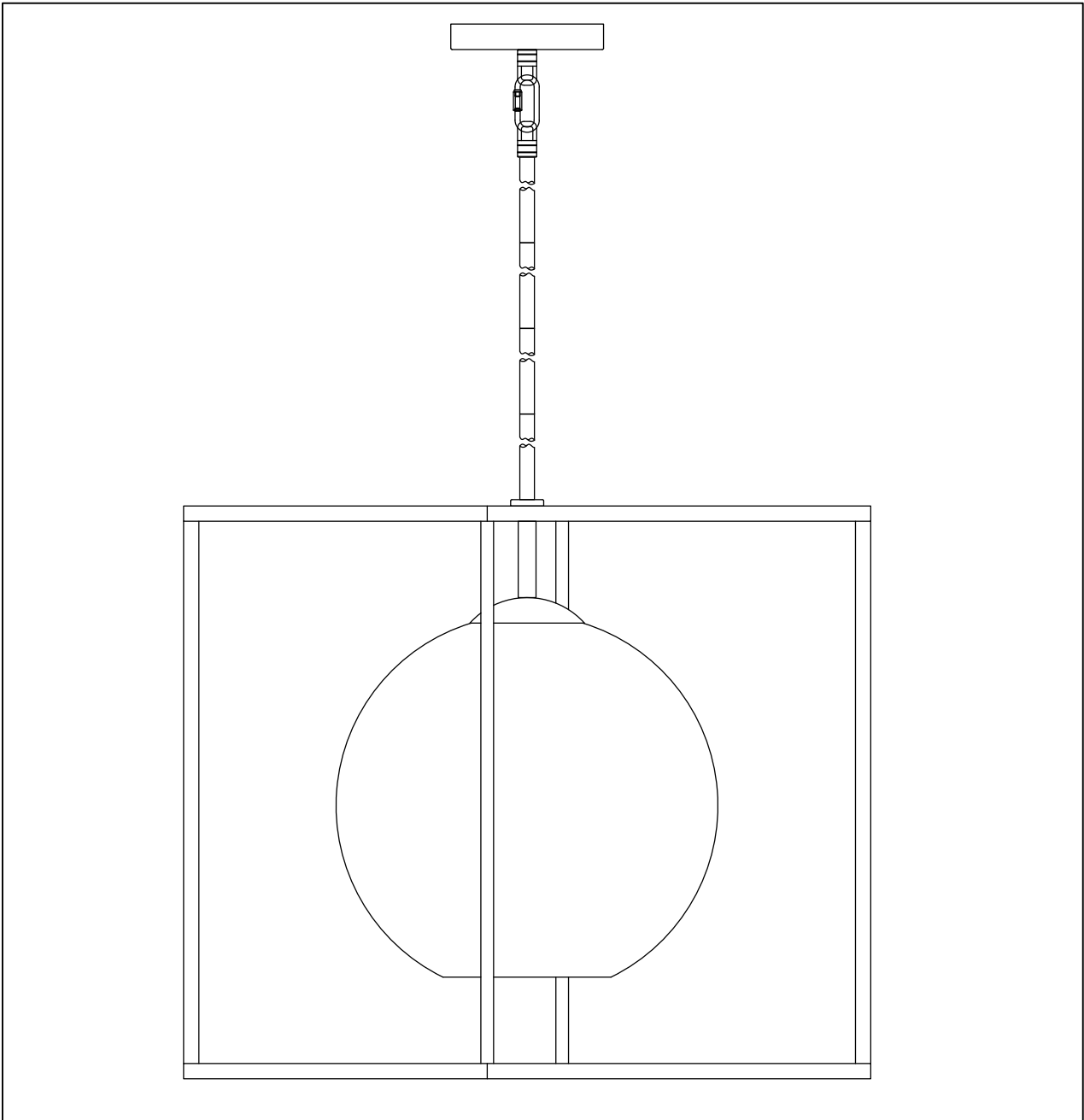




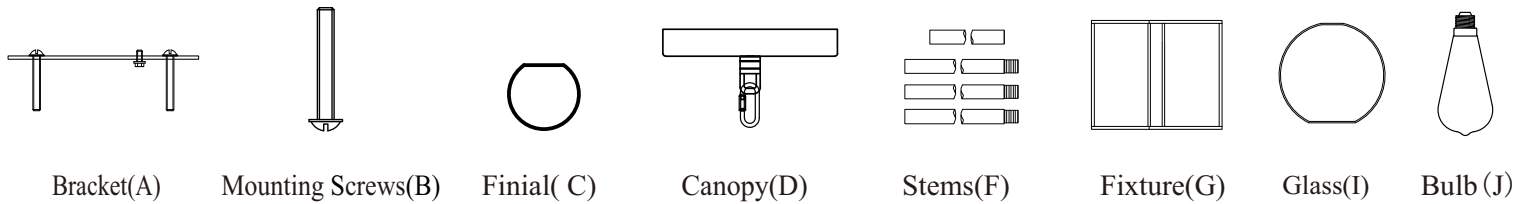
PRODUCT NAME: Fluid LED 1-Light Pendant
ITEM NUMBER: 11367

Please consult your electrician for hanging fixture and wiring.

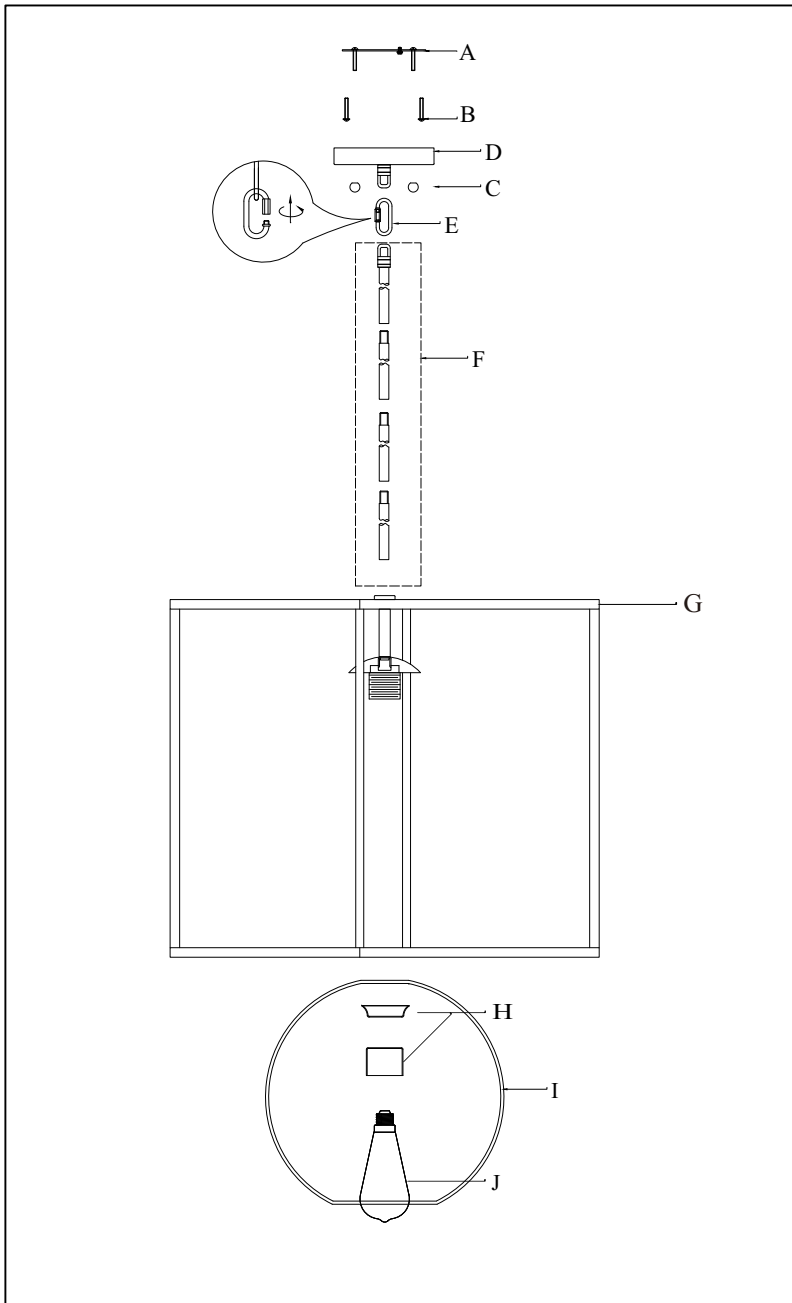


Bulbs (Included): E26 1*60W ST58

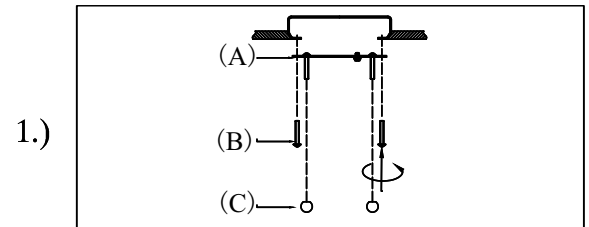
IMPORTANT: Turn off the power at the main fuse or circuit breaker box before starting installation



Locate all hardware & components before discarding packaging

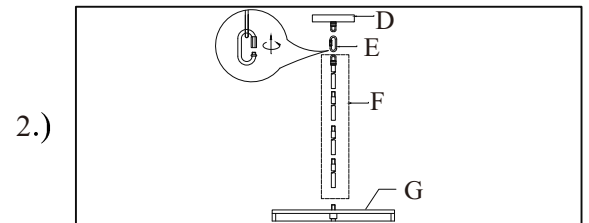


Cleaning & Care:
Clean with soft cloth and a mild detergent.
Do not use abrasive cleaner.



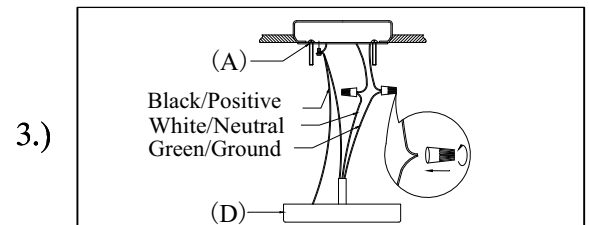
1.)

Step1 : Remove mounting bracket from fixture and install to electrical box.



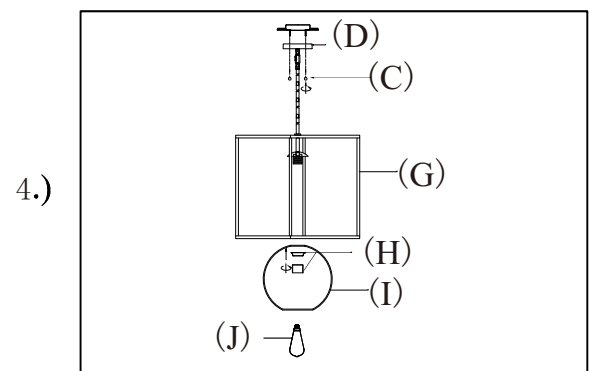
2.)

Step.2: Run wire through stems and combine stem lengths to meet desired mounting height.



3.)

Step3 : Wire fixture to wires in outlet box. Green wire is for Ground.



4.)

Step 4: Install fixture to the bracket using ball nuts on the canopy. Install bulb provided into socket and secure the glass (I) using socket cover and socket ring (H).