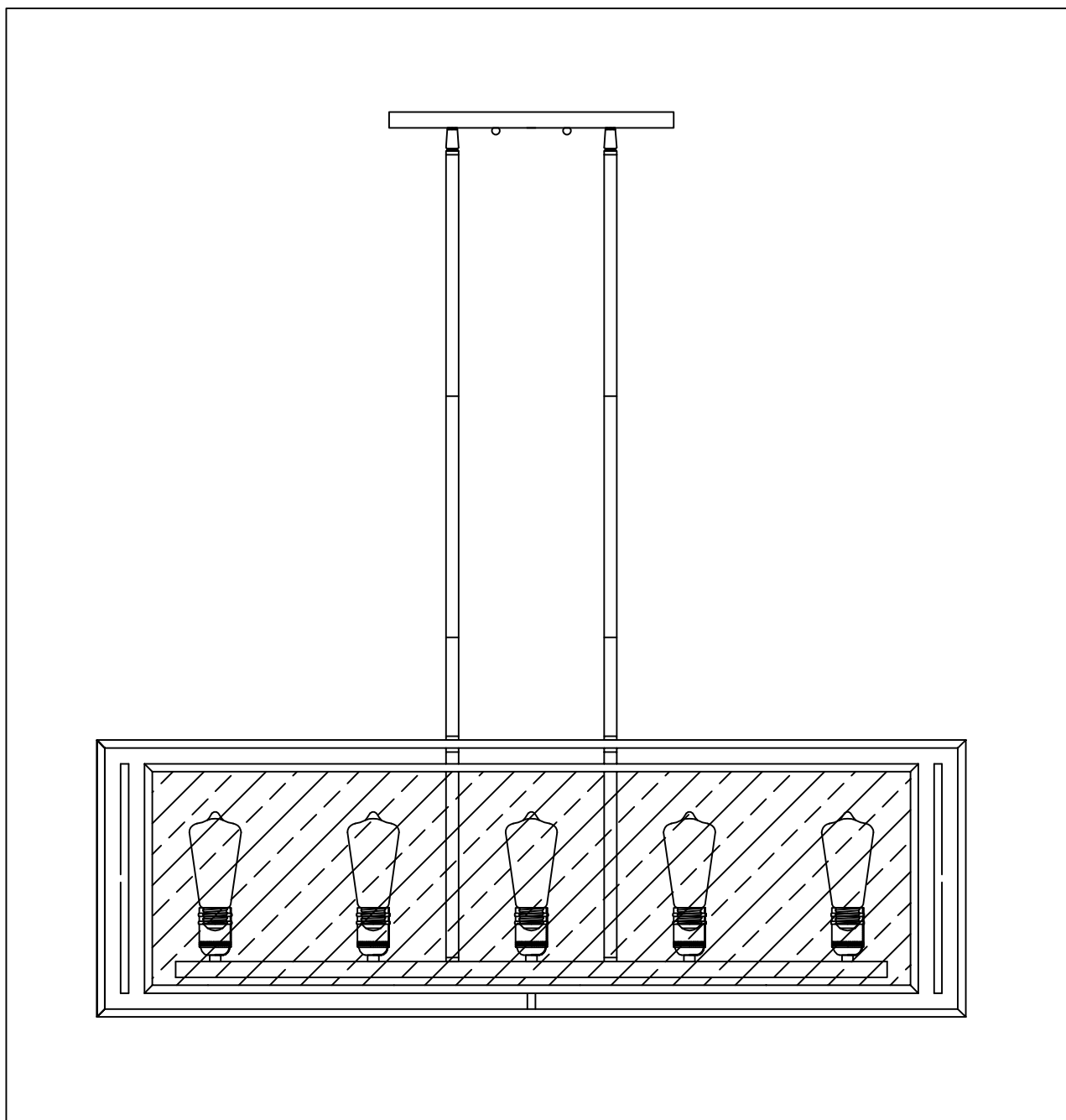




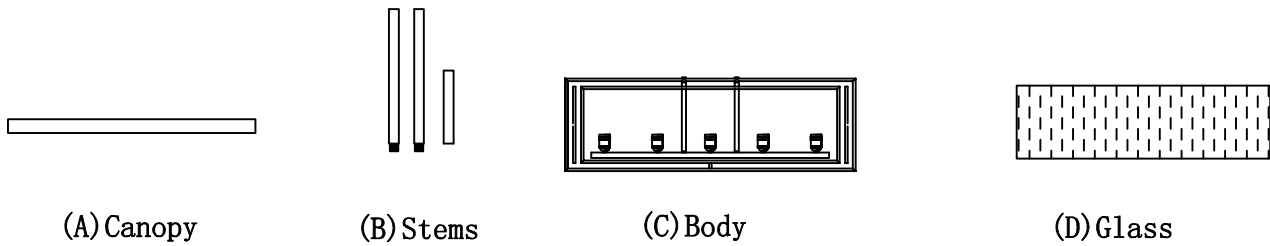
PRODUCT NAME: ERA
ITEM NUMBER: 21677

Please consult your electrician for hanging fixture and wiring.

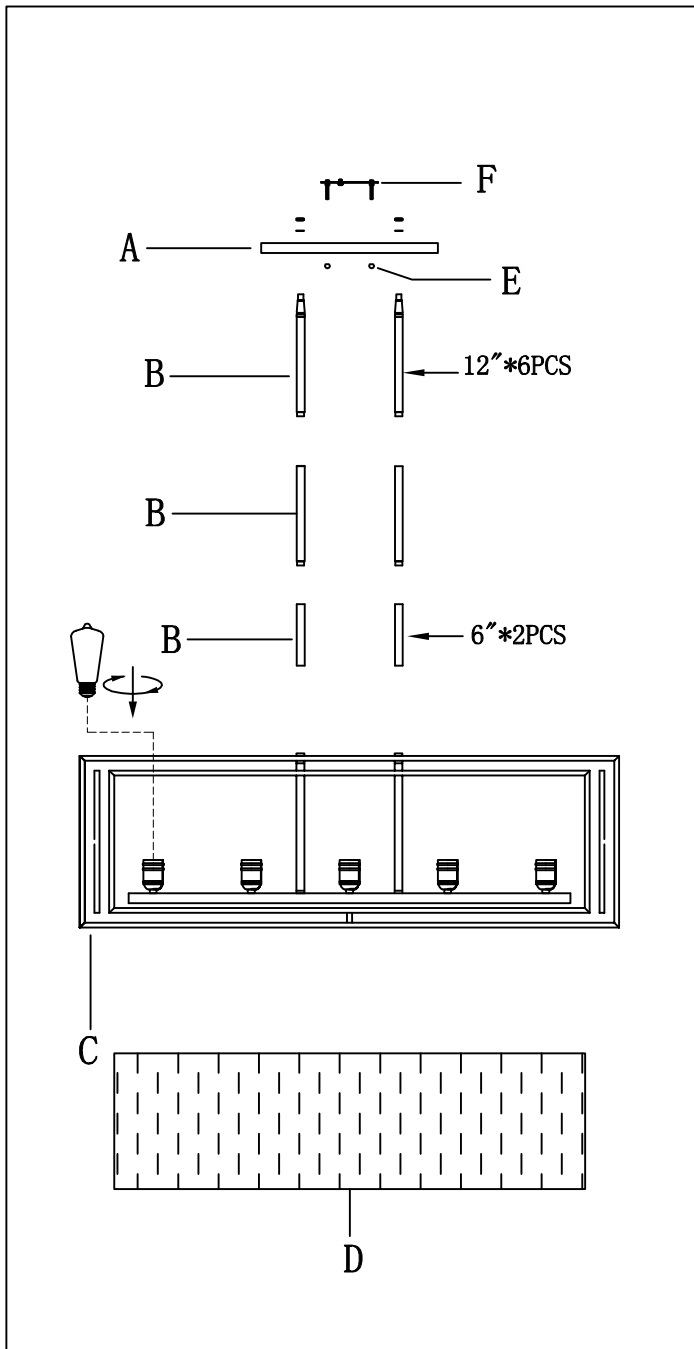


Bulb(not included):5 Edison-style bulbs recommended

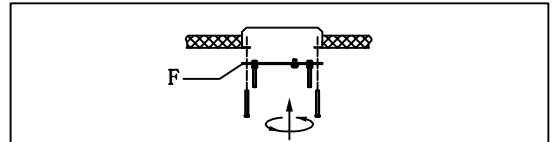
IMPORTANT: Turn off power at the main fuse or circuit breaker box before starting installation



Locate all hardware & components before discarding packaging

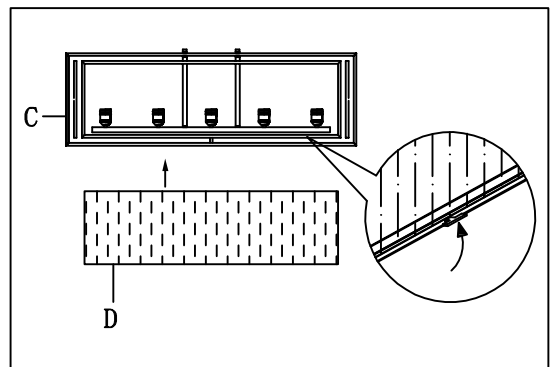


1.)



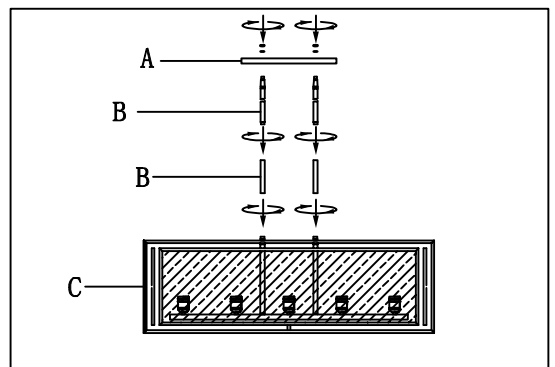
Step. 1: Remove mounting bracket(F) from fixture and install to electrical box.

2.)



Step. 2: Wearing glove, put glass(D) inside the frame and use steel clips on frame to secure the glass.

3.)



Step. 3: Run wire through stems(B) and combine stem lengths to meet desired mounting height.

Cleaning & Care:

Clean with soft cloth and a mild detergent. Do not use abrasive cleaner.

IMPORTANT: Turn off power at the main fuse or circuit breaker box before starting installation

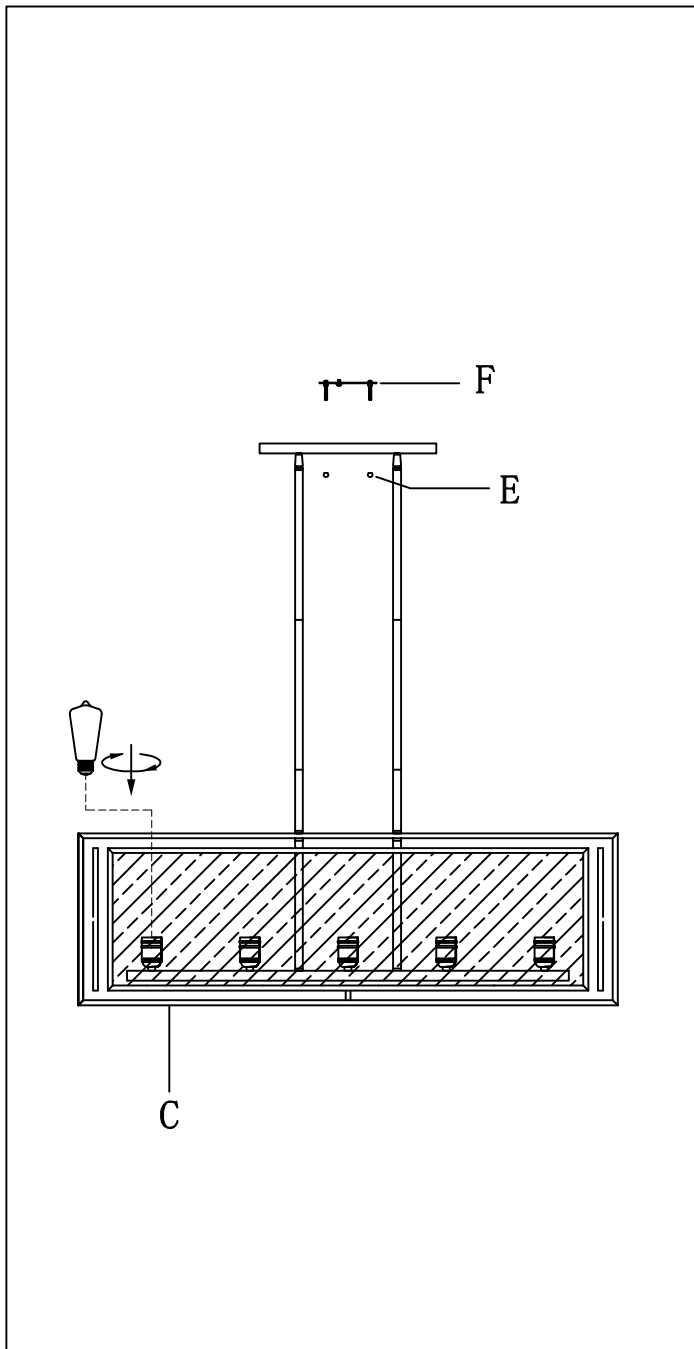


(E) Ball nut

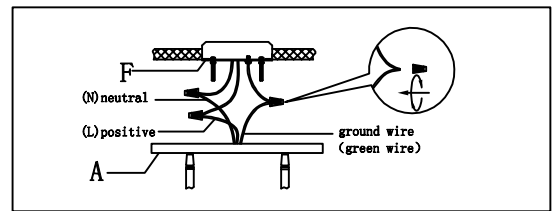


(F) Bracket

Locate all hardware & components before discarding packaging

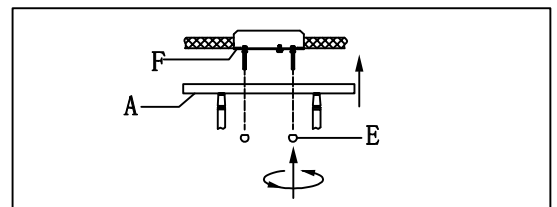


4.)



Step. 4: Wire fixture to wires in outlet box.
Copper/Green wire is for Ground.

5.)



Step. 5: Install fixture to the mounting
bracket(F) and tighten ball nuts (E)
to secure.

Cleaning & Care:

Clean with soft cloth and a mild detergent.
Do not use abrasive cleaner.